

Parts Manual

Floor Type Gas Convection Steamer



Series: Classic Gas Boiler Base Steamer

1333 East 179th Street
Cleveland, Ohio 44110

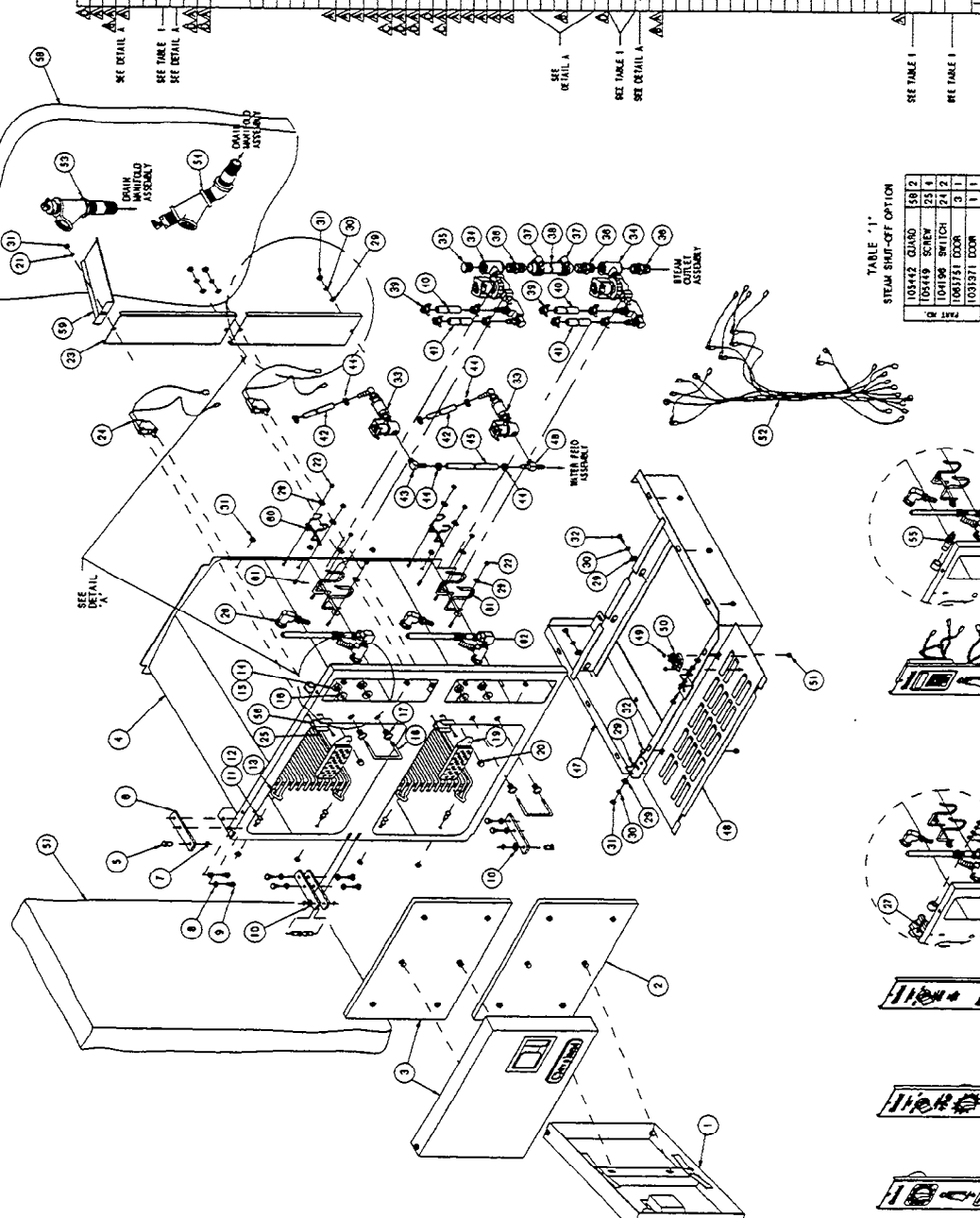
Phone: (216) 481-4900
1-800-338-2204

Fax: (216) 481-3782
www.clevelandrange.com

 Cleveland

LET.	REVISIONS	DATE	BY
A	SEE E.O. 12-2587	03-01-94	PJD
B	SEE E.O. 12-2579 R1	05-24-94	PJD
C	SEE E.O. 12-2579 R2	07-22-94	PJD
D	SEE E.O. 12-2579 R2	07-22-94	PJD
	SEE E.O. 12-2585	12-06-94	PJD

ITEM NO.	DESCRIPTION	QTY	UNIT
1	DRINK WATER ASSEMBLY	1	EA
2	DRINK WATER ASSEMBLY	1	EA
3	DRINK WATER ASSEMBLY	1	EA
4	DRINK WATER ASSEMBLY	1	EA
5	DRINK WATER ASSEMBLY	1	EA
6	DRINK WATER ASSEMBLY	1	EA
7	DRINK WATER ASSEMBLY	1	EA
8	DRINK WATER ASSEMBLY	1	EA
9	DRINK WATER ASSEMBLY	1	EA
10	DRINK WATER ASSEMBLY	1	EA
11	DRINK WATER ASSEMBLY	1	EA
12	DRINK WATER ASSEMBLY	1	EA
13	DRINK WATER ASSEMBLY	1	EA
14	DRINK WATER ASSEMBLY	1	EA
15	DRINK WATER ASSEMBLY	1	EA
16	DRINK WATER ASSEMBLY	1	EA
17	DRINK WATER ASSEMBLY	1	EA
18	DRINK WATER ASSEMBLY	1	EA
19	DRINK WATER ASSEMBLY	1	EA
20	DRINK WATER ASSEMBLY	1	EA
21	DRINK WATER ASSEMBLY	1	EA
22	DRINK WATER ASSEMBLY	1	EA
23	DRINK WATER ASSEMBLY	1	EA
24	DRINK WATER ASSEMBLY	1	EA
25	DRINK WATER ASSEMBLY	1	EA
26	DRINK WATER ASSEMBLY	1	EA
27	DRINK WATER ASSEMBLY	1	EA
28	DRINK WATER ASSEMBLY	1	EA
29	DRINK WATER ASSEMBLY	1	EA
30	DRINK WATER ASSEMBLY	1	EA
31	DRINK WATER ASSEMBLY	1	EA
32	DRINK WATER ASSEMBLY	1	EA
33	DRINK WATER ASSEMBLY	1	EA
34	DRINK WATER ASSEMBLY	1	EA
35	DRINK WATER ASSEMBLY	1	EA
36	DRINK WATER ASSEMBLY	1	EA
37	DRINK WATER ASSEMBLY	1	EA
38	DRINK WATER ASSEMBLY	1	EA
39	DRINK WATER ASSEMBLY	1	EA
40	DRINK WATER ASSEMBLY	1	EA
41	DRINK WATER ASSEMBLY	1	EA
42	DRINK WATER ASSEMBLY	1	EA
43	DRINK WATER ASSEMBLY	1	EA
44	DRINK WATER ASSEMBLY	1	EA
45	DRINK WATER ASSEMBLY	1	EA
46	DRINK WATER ASSEMBLY	1	EA
47	DRINK WATER ASSEMBLY	1	EA
48	DRINK WATER ASSEMBLY	1	EA
49	DRINK WATER ASSEMBLY	1	EA
50	DRINK WATER ASSEMBLY	1	EA
51	DRINK WATER ASSEMBLY	1	EA
52	DRINK WATER ASSEMBLY	1	EA
53	DRINK WATER ASSEMBLY	1	EA
54	DRINK WATER ASSEMBLY	1	EA
55	DRINK WATER ASSEMBLY	1	EA
56	DRINK WATER ASSEMBLY	1	EA
57	DRINK WATER ASSEMBLY	1	EA
58	DRINK WATER ASSEMBLY	1	EA
59	DRINK WATER ASSEMBLY	1	EA
60	DRINK WATER ASSEMBLY	1	EA
61	DRINK WATER ASSEMBLY	1	EA
62	DRINK WATER ASSEMBLY	1	EA
63	DRINK WATER ASSEMBLY	1	EA
64	DRINK WATER ASSEMBLY	1	EA
65	DRINK WATER ASSEMBLY	1	EA
66	DRINK WATER ASSEMBLY	1	EA
67	DRINK WATER ASSEMBLY	1	EA
68	DRINK WATER ASSEMBLY	1	EA
69	DRINK WATER ASSEMBLY	1	EA
70	DRINK WATER ASSEMBLY	1	EA
71	DRINK WATER ASSEMBLY	1	EA
72	DRINK WATER ASSEMBLY	1	EA
73	DRINK WATER ASSEMBLY	1	EA
74	DRINK WATER ASSEMBLY	1	EA
75	DRINK WATER ASSEMBLY	1	EA
76	DRINK WATER ASSEMBLY	1	EA
77	DRINK WATER ASSEMBLY	1	EA
78	DRINK WATER ASSEMBLY	1	EA
79	DRINK WATER ASSEMBLY	1	EA
80	DRINK WATER ASSEMBLY	1	EA
81	DRINK WATER ASSEMBLY	1	EA
82	DRINK WATER ASSEMBLY	1	EA
83	DRINK WATER ASSEMBLY	1	EA
84	DRINK WATER ASSEMBLY	1	EA
85	DRINK WATER ASSEMBLY	1	EA
86	DRINK WATER ASSEMBLY	1	EA
87	DRINK WATER ASSEMBLY	1	EA
88	DRINK WATER ASSEMBLY	1	EA
89	DRINK WATER ASSEMBLY	1	EA
90	DRINK WATER ASSEMBLY	1	EA
91	DRINK WATER ASSEMBLY	1	EA
92	DRINK WATER ASSEMBLY	1	EA
93	DRINK WATER ASSEMBLY	1	EA
94	DRINK WATER ASSEMBLY	1	EA
95	DRINK WATER ASSEMBLY	1	EA
96	DRINK WATER ASSEMBLY	1	EA
97	DRINK WATER ASSEMBLY	1	EA
98	DRINK WATER ASSEMBLY	1	EA
99	DRINK WATER ASSEMBLY	1	EA
100	DRINK WATER ASSEMBLY	1	EA



TOLERANCES UNLESS OTHERWISE SPECIFIED	SCALE 1/4" = 1"	TITLE CONNECTION H.L., FINAL ASSEMBLY PRODUCTION, ALL OPTIONS
DRAWN BY	APPROVED BY	
DATE 11-02-93	DRAWING NO. C - 105509	REV. D

ITEM NO.	DESCRIPTION	QTY	UNIT
104929	MECHANICAL CONTROL	1	EA
104931	CONTROL WITH BELL	1	EA
104932	CONTROL	1	EA
104930	ELECTRONIC CONTROL	1	EA
104933	CONTROL	1	EA

ITEM NO.	DESCRIPTION	QTY	UNIT
103442	OPTION	1	EA
103443	OPTION	1	EA
103444	OPTION	1	EA
103445	OPTION	1	EA
103446	OPTION	1	EA
103447	OPTION	1	EA
103448	OPTION	1	EA
103449	OPTION	1	EA
103450	OPTION	1	EA
103451	OPTION	1	EA
103452	OPTION	1	EA
103453	OPTION	1	EA
103454	OPTION	1	EA
103455	OPTION	1	EA
103456	OPTION	1	EA
103457	OPTION	1	EA
103458	OPTION	1	EA
103459	OPTION	1	EA
103460	OPTION	1	EA
103461	OPTION	1	EA
103462	OPTION	1	EA
103463	OPTION	1	EA
103464	OPTION	1	EA
103465	OPTION	1	EA
103466	OPTION	1	EA
103467	OPTION	1	EA
103468	OPTION	1	EA
103469	OPTION	1	EA
103470	OPTION	1	EA
103471	OPTION	1	EA
103472	OPTION	1	EA
103473	OPTION	1	EA
103474	OPTION	1	EA
103475	OPTION	1	EA
103476	OPTION	1	EA
103477	OPTION	1	EA
103478	OPTION	1	EA
103479	OPTION	1	EA
103480	OPTION	1	EA
103481	OPTION	1	EA
103482	OPTION	1	EA
103483	OPTION	1	EA
103484	OPTION	1	EA
103485	OPTION	1	EA
103486	OPTION	1	EA
103487	OPTION	1	EA
103488	OPTION	1	EA
103489	OPTION	1	EA
103490	OPTION	1	EA
103491	OPTION	1	EA
103492	OPTION	1	EA
103493	OPTION	1	EA
103494	OPTION	1	EA
103495	OPTION	1	EA
103496	OPTION	1	EA
103497	OPTION	1	EA
103498	OPTION	1	EA
103499	OPTION	1	EA
103500	OPTION	1	EA

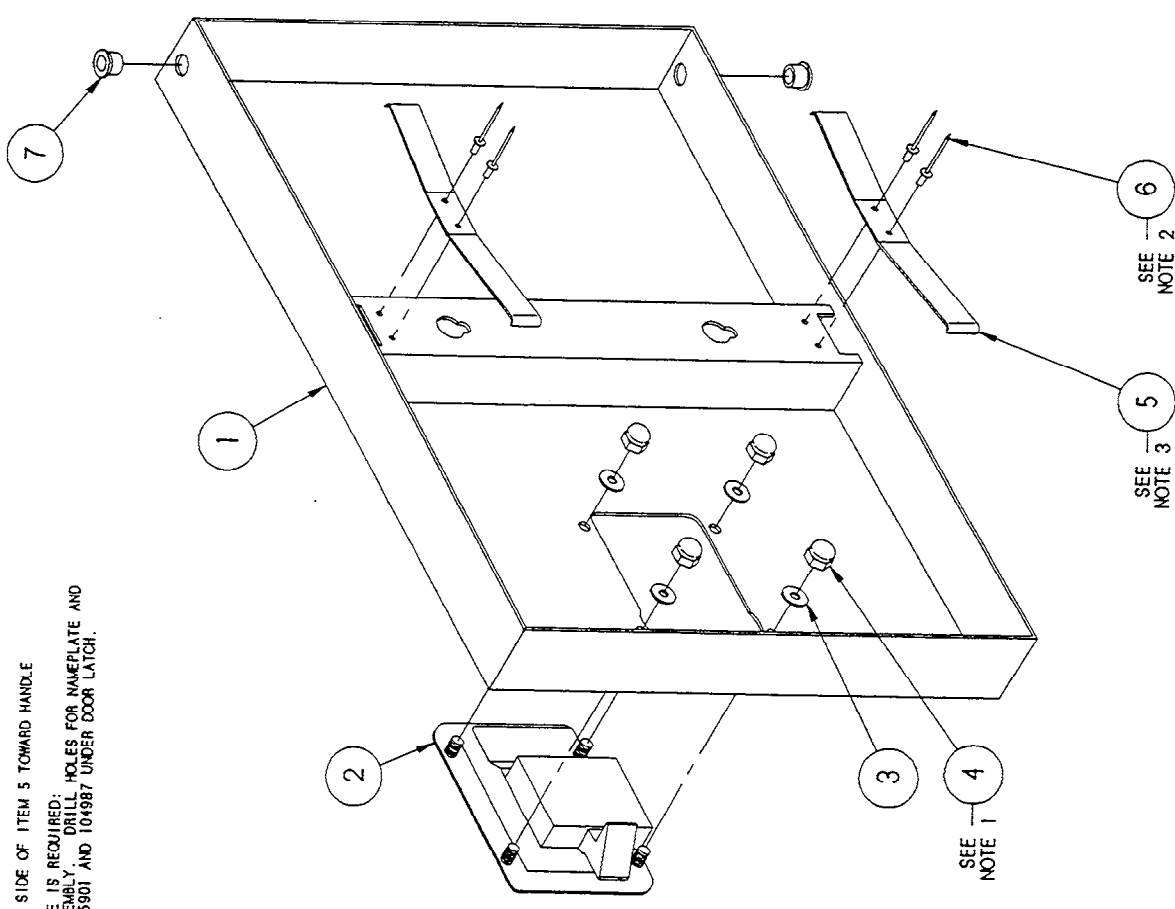
THIS DESIGN DESCRIBES A PROPRIETARY ITEM AND IS THE PROPERTY OF CLEVELAND RANGE. THIS DRAWING IS NOT TO BE COPIED OR USED WITHOUT THE APPROVAL OF CLEVELAND RANGE.

ITEM 59 (MOISTURE SHIELD) ELECTRONIC OPTION ONLY

ITEM OPTIONS - DETAIL A

PRODUCTION

- NOTES : 1.) USE LOCTITE #222 - LOW STRENGTH (104146) ON ITEM 4
 2.) USE RTV (#00833) ON ITEM 6
 3.) ORIENT LONGER SIDE OF ITEM 5 TOWARD HANDLE
 4.) WHEN NAMEPLATE IS REQUIRED: DRILL HOLES FOR NAMEPLATE AND MOUNT P/Ns 105901 AND 104987 UNDER DOOR LATCH.



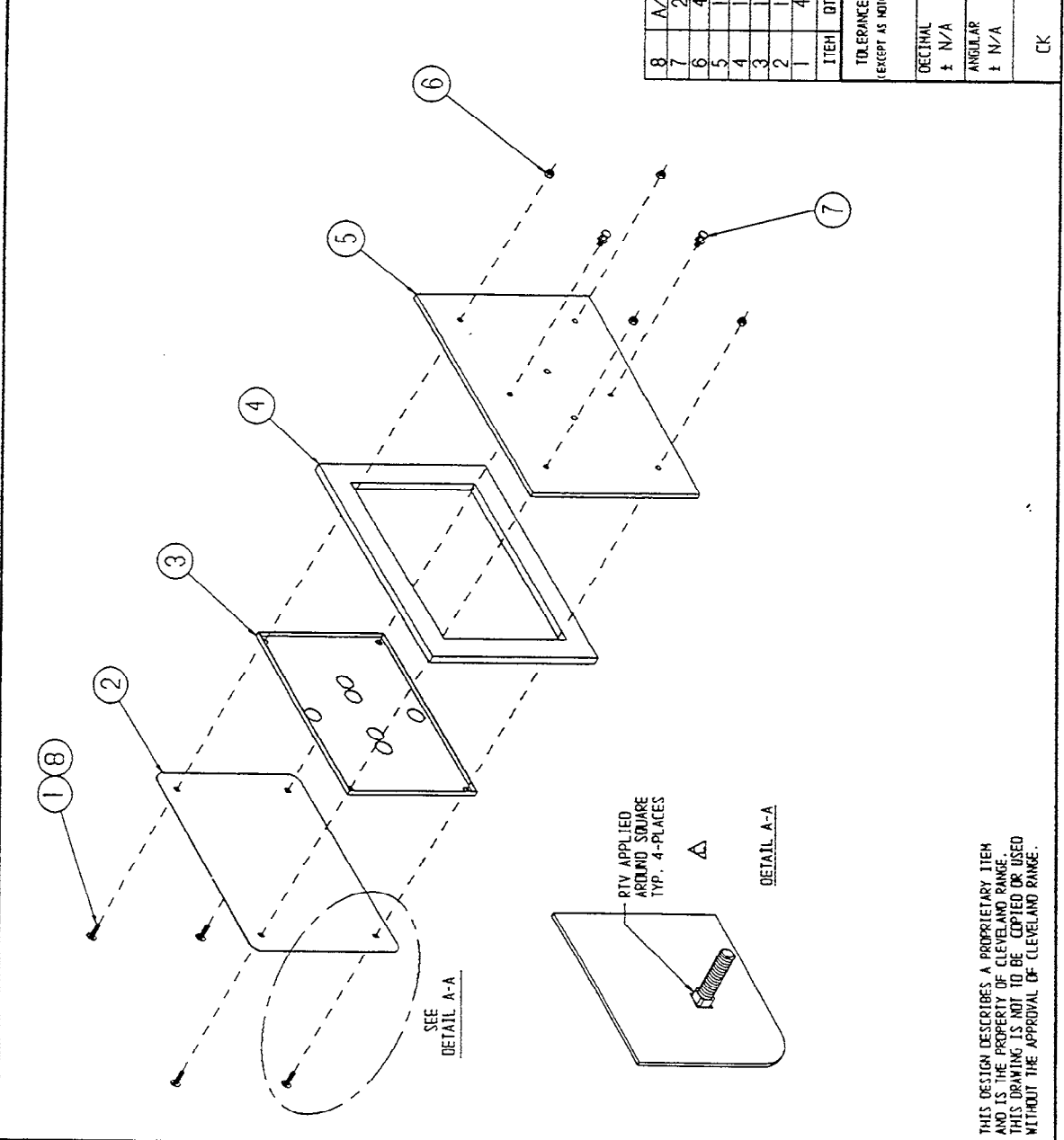
LET.	REVISIONS	DATE	BY
B	NOTE 3 WAS UPDATED, WAS ITEM 8 CALLOUT PER E.O. 4C-1908	04-01-91	DJP
C	NOTE 2 REVISED, WAS ITEM 7 CALLOUT PER E.O. 4C-1908 R1	03-19-92	PJD
D	P/Ns 103901 & 104987 ADDED PER E.O. 4C-2441 R2	08-28-93	PJD
E	P/Ns 103901 & 104987 REF. ONLY PER E.O. 4C-2441 R3	08-05-93	PJD
F	P/Ns 103901 & 104987 REMOVED PER E.O. 4C-2441 R5	12-13-93	PJD

ITEM	QTY.	PART NO.	DESCRIPTION
7	2	103841	BUSHING, BRONZE
6	4	19357	RIVET, 1/8" DIA. FLUSH BREAK, S/S
5	2	102228	SPRING, DOOR
4	4	14679	NUT, #10-24 ACORN, S/S
3	4	101635	WASHER, #10 FLAT, S/S
2	1	103843	LATCH, DOOR - PADDELE TYPE
1	1	103527	OUTER DOOR WELDMENT, H.L.

TOLERANCES (UNLESS OTHERWISE SPECIFIED)	
RECTANGULAR	± 1/16"
CIRCULAR	± 1/32"
ANGLE	± 1/16"
CK	DATE 02-28-91
CLEVELAND RANGE INC. 1333 East 178th St., Cleveland, Ohio 44110-2574 SCALE 5/8=1 DRAWN BY DUTCHMAN APPROVED BY TITLE DOOR, OUTER ASSEMBLY DATE 02-28-91 REV. NO. C - 103537 REV. F	

THIS DESIGN DESCRIBES A PROPRIETARY ITEM AND IS THE PROPERTY OF CLEVELAND RANGE. THIS DRAWING IS NOT TO BE COPIED OR USED WITHOUT THE APPROVAL OF CLEVELAND RANGE.

LET.	REVISIONS	DATE	BY
A	REVISED PER E.O. #C-1872 R5	2-28-91	PJD
B	REVISED PER E.O. #C-1872 R7	5-13-91	PJK
C	REVISED PER E.O. #C-1993	8-05-91	PJD



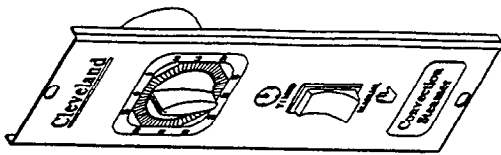
A/R	QTY.	DESCRIPTION
8	00932	SEALANT, RTV
7	19923	PIN GUIDE, INNER DOOR
6	14665	NUT, HEX LOCK 1/4-20
5	100745	INNER DOOR WELDMENT
4	07138	DOOR GASKET
3	66214	INNER GASKET RETAINER
2	66595	GASKET RETAINER PLATE
1	104719	BOLT, CARRIAGE 1/4-20 X 1.000"

TOLERANCES (EXCEPT AS NOTED)	SCALE	N/A	DRAWN BY	P. J. D.	APPROVED BY	D. S.
DECIMAL ± N/A	N/A					
ANGULAR ± N/A						
TITLE DOOR, INNER ASS'Y.						
SC 3.1 CONV. (NEW STYLE MODEL C)						
DATE	02-28-91	DRAWING NO.		B-104101		
CHK	CK			REV. C		

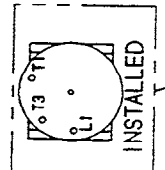
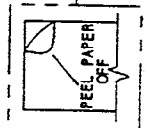
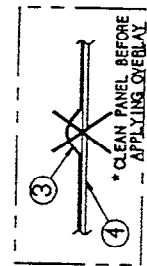
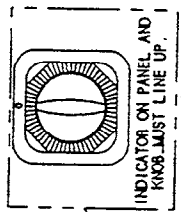
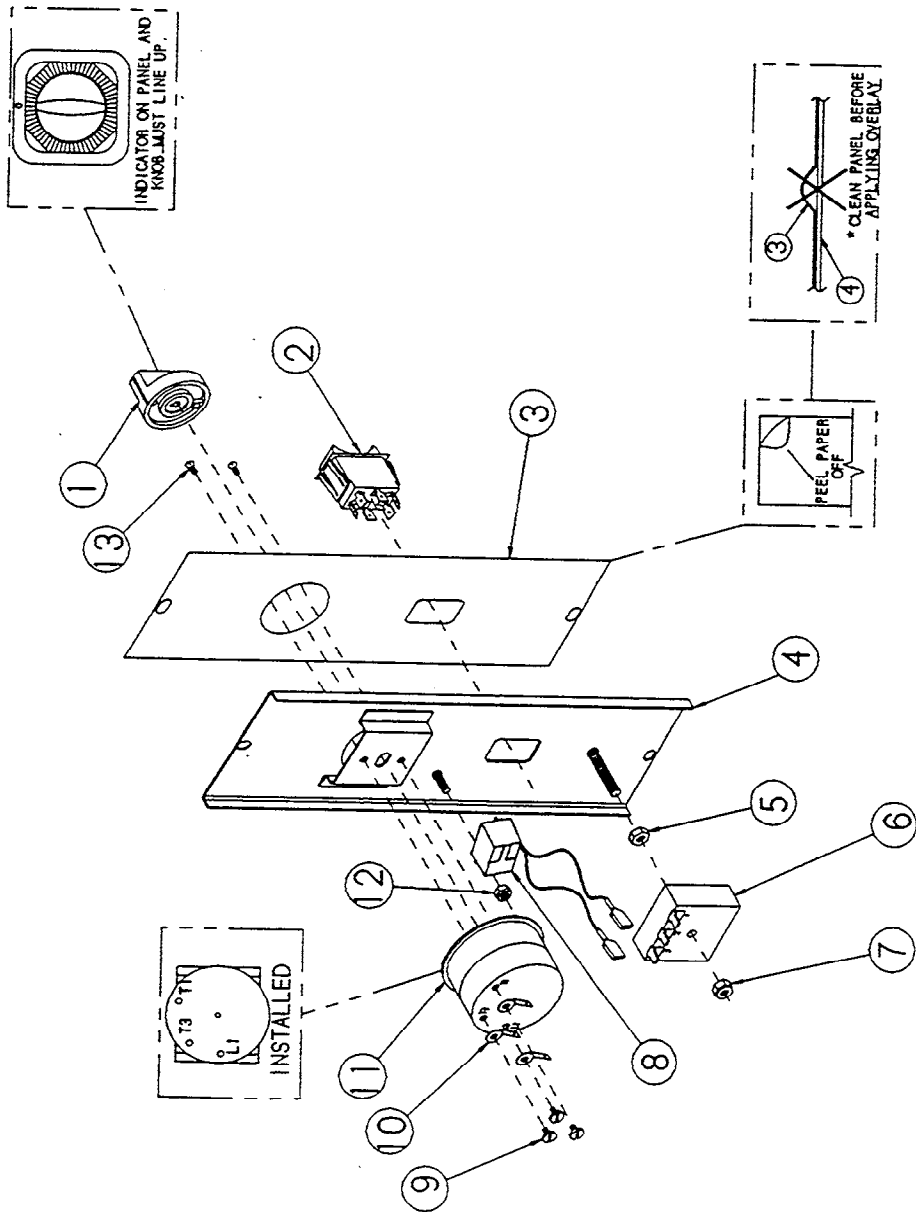
ITEM	QTY.	PART NO.	DESCRIPTION
CLEVELAND RANGE INC. 1333 East 17th St. Cleveland, Ohio 44110-2374			

THIS DESIGN DESCRIBES A PROPRIETARY ITEM AND IS THE PROPERTY OF CLEVELAND RANGE. THIS DRAWING IS NOT TO BE COPIED OR USED WITHOUT THE APPROVAL OF CLEVELAND RANGE.

LET	REVISIONS	DATE	BY
A	HOLES ADDED TO LABEL P/N 106890 WAS 103720 EO #C-2182	04-06-92	PJD
B	106890 COLOR/ARTWORK CHANGE PER E.O. #C-2503 & C-2424	09-21-93	PJD



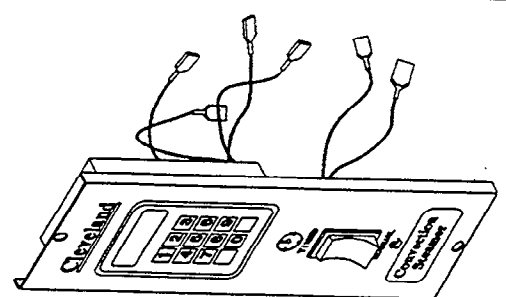
FRONT
VIEW



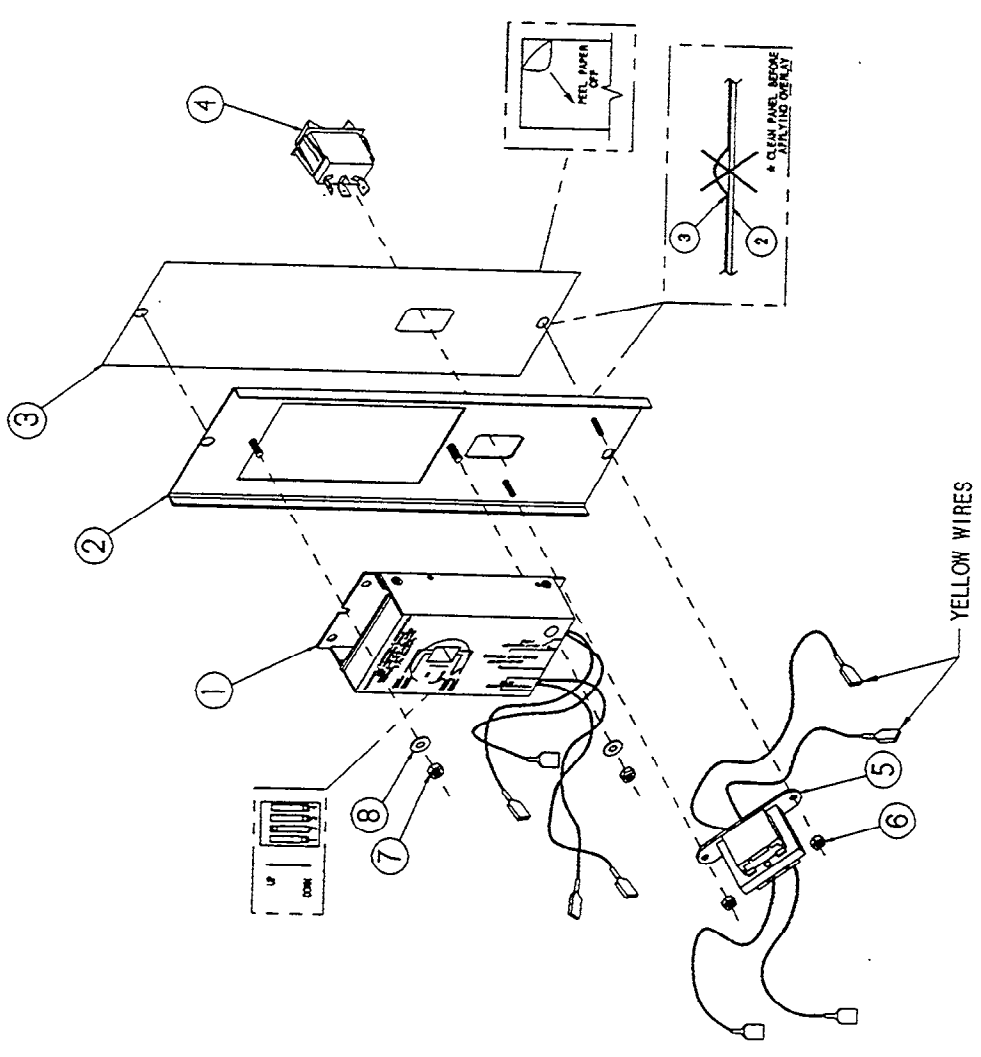
NO.	QTY.	PART NO.	DESCRIPTION
13	2	19201	SCREW 5-10 X .250 PAN HD. SLTD. S/S
12	1	14892	M/T. 10-20 ELASTIC LOCK, STEEL PLTD
11	1	20478	TIMER, 60 MIN, MECHANICAL SWITCHING
10	3	20323	TERMINAL, #10 RING / .25 WALE TAB
9	3	- - -	INCLUDED IN ITEM 10
8	1	41950	BUIZER ASSEMBLY WITH TERMINALS
7	1	101873	M/T. 1/4-20 ELASTIC LOCK
6	1	20477	TIMER, SCLD STATE, 3 SECOND DELAY
5	1	14818	M/T. HEX. 1/4-20 S/S
4	1	101898	PANEL, TIMER - CONY. MECHANICAL
3	1	101890	LABEL, PANEL - MECH. TIMER CONY.
2	1	19982	SWITCH, ROCKER, COMPT. BYPASS
1	1	11307	KNOB, TIMER
TOLERANCES (UNLESS SHOWN)			
DESTROY			
SCALE N/A DRAWN BY GUTCHMAN APPROVED BY D.S.			
TITLE TIMER ASSEMBLY - BACK MOUNTED CONNECTION STEAMER MECHANICAL			
DATE 09-16-91 DRAWING NO. C-104929 REV. B			

THIS DESIGN DESCRIBES A PROPRIETARY ITEM AND IS THE PROPERTY OF CLEVELAND RANGE. THIS DRAWING IS NOT TO BE COPIED OR USED WITHOUT THE APPROVAL OF CLEVELAND RANGE.

LET	REVISIONS	DATE	BY
A	HOLE ADDED TO LABEL P/N 105889 WAS 104478 EO #C-2182	01-08-92	PJD
B	105889 COLOR/ARTWORK CHANGE PER E.O. #C-2503 & C-2124	09-21-93	PJD



FRONT VIEW



YELLOW WIRES

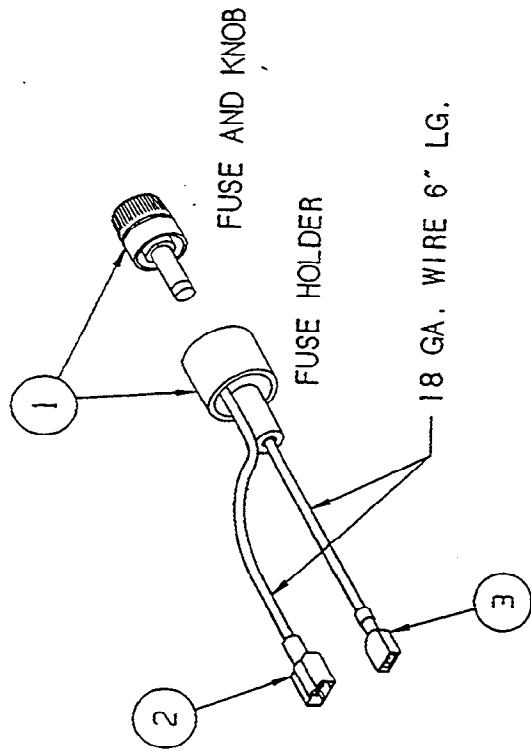
NO.	QTY.	PART NO.	DESCRIPTION
8	2	101655	WASHER, FLAT #10 9/32
7	2	14892	NUT, HEX 10-24 ELASTIC LOCK
6	2	104223	NUT, HEX 8-32 ELASTIC LOCK
5	1	104390	TRANSFORMER, ASSEMBLY
4	1	104224	SWITCH, KNOCKER, SPOT WHITE FINISH
3	1	105889	LABEL, CONT. PANEL, REC - CONV.
2	1	104701	PANEL, MOUNTING ELECTRONIC
1	1	104389	TIMER, ASSEMBLY - REC

CLEVELAND RANGE INC.
 1333 East 17th St. Cleveland, Ohio 44110-2174
 SCALE 1/2" = 1" APPROVED BY
 TITLE
 TIMER ASSEMBLY - BACK MOUNTED
 CONNECTION STEAMER ELECTRIC
 DATE 09-17-91 DRAWING NO. C-104930 REV. B

THIS DESIGN DESCRIBES A PROPRIETARY ITEM
 AND IS THE PROPERTY OF CLEVELAND RANGE.
 THIS DESIGN IS NOT TO BE COPIED OR USED
 WITHOUT THE APPROVAL OF CLEVELAND RANGE.

LET.	REVISIONS	DATE	BY
A	PICTORIAL CHANGE PER E.O. #2591 R1	05-06-94	PJD

U.L. AND C.S.A.
APPROVED



3	1	20351	TERMINAL, SLIP ON FEMALE
2	1	20370	TERMINAL, SLIP ON, MALE
1	1	106881	FUSE AND HOLDER ASSEMBLY
ITEM	QTY.	PART NO.	DESCRIPTION
TOLERANCES (EXCEPT AS NOTED)			
DECIMAL	SCALE		
± .030	2=1		
ANGULAR	TITLE		
± 1°	DRAWN BY DUTCHMAN		
APPROVED BY			
CLEVELAND RANGE INC.			
1333 East 179th St. Cleveland, Ohio 44110-2574			
DATE			
05-06-94			
DRAWING NO.			
A - 106870			
REV.			
A			

THIS DESIGN DESCRIBES A PROPRIETARY ITEM AND IS THE PROPERTY OF CLEVELAND RANGE. THIS DRAWING IS NOT TO BE COPIED OR USED WITHOUT THE APPROVAL OF CLEVELAND RANGE.

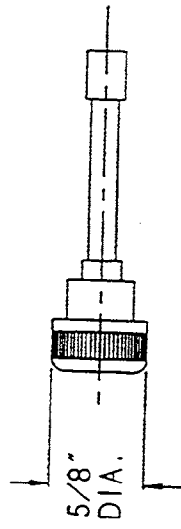
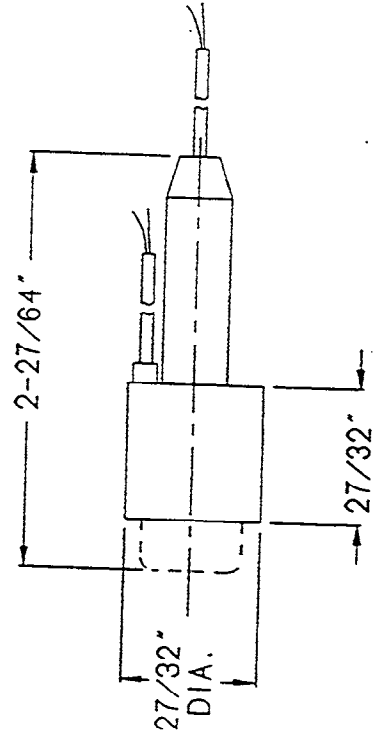
LET.	REVISIONS	DATE	BY

GUIDE #1ZLT2 U.L.
 FILE #B14853 U.L.
 CLASS #6225-01 C.S.A.
 FILE #47235 C.S.A.

GUIDE #JDYX U.L.
 FILE #E19180 U.L.
 CLASS #1422-01 C.S.A.
 FILE #53787 C.S.A.

BUSSMAN HLR
 FUSE HOLDER

BUSSMAN GLR 2 AMP
 NON-DELAY FUSE



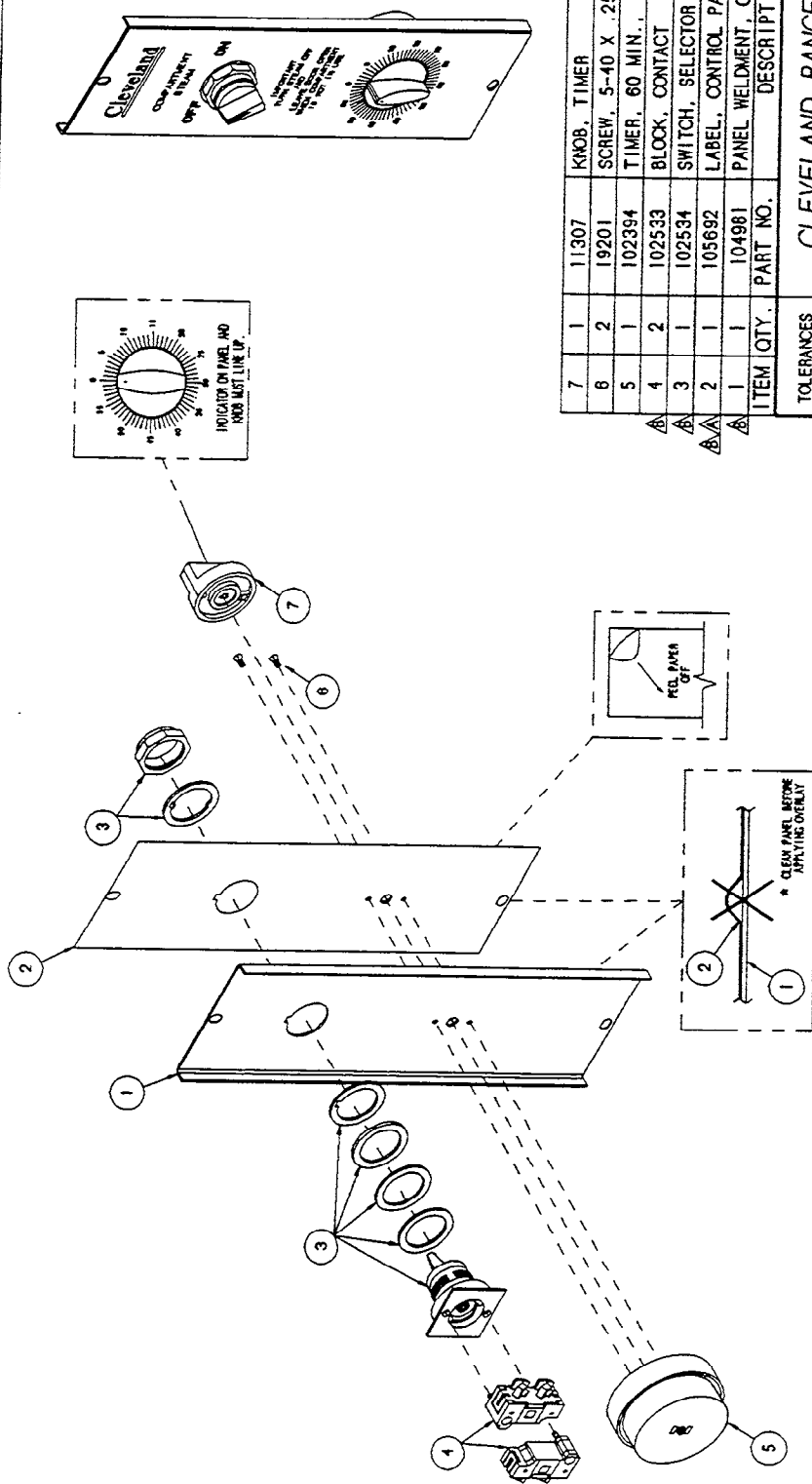
APPROVED SOURCE:

CONSOLIDATED ELECTRICAL DISTRIBUTORS, INC.
 7444 TYLER BLVD., MENTOR, OHIO 44060
 PHONE (216) 946-8850

THIS DESIGN DESCRIBES A PROPRIETARY ITEM
 AND IS THE PROPERTY OF CLEVELAND RANGE.
 THIS DRAWING IS NOT TO BE COPIED OR USED
 WITHOUT THE APPROVAL OF CLEVELAND RANGE.

ITEM	QTY.	PART NO.	DESCRIPTION
TOLERANCES (EXCEPT AS NOTED)			CLEVELAND RANGE INC. 1333 East 179th St. Cleveland, Ohio 44110-2574
DECIMAL ± .030		SCALE 2=1	DRAWN BY DUTCHMAN
ANGULAR ± 1°		TITLE	APPROVED BY -
CK		DATE 05-06-94	FUSE AND HOLDER ASSY. NCC TIMER RETROFIT
		DRAWING NO. A - 106881	REV. -

LET.	REVISIONS	DATE	BY
A	HOLES ADDED TO LABEL, P/N 105692 WAS 103719. EO C-2182.	04/06/92	PJD
B	UPDATED PICTORIALY PER E.O. 10C-2429 & 10C-2495 & 10C-2503	09/13/93	NLT



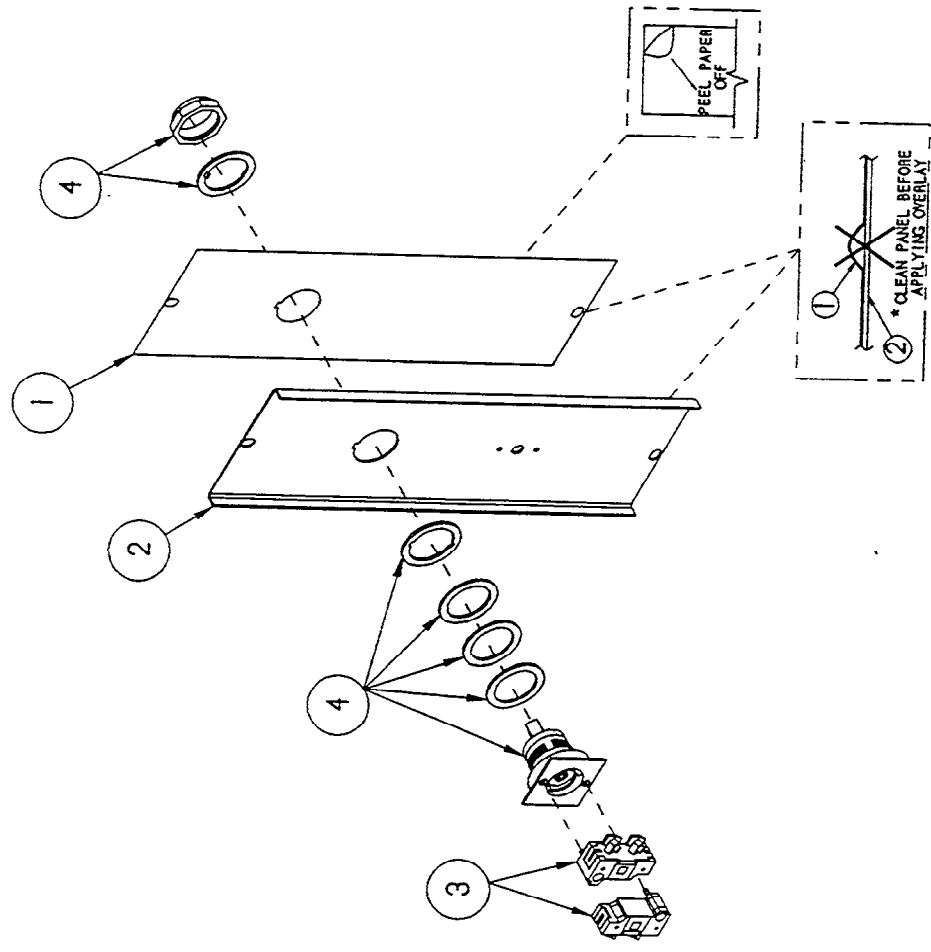
ITEM	QTY.	PART NO.	DESCRIPTION
7	1	11307	KNOB, TIMER
6	2	19201	SCREW, 5-40 X .250, PAN HD
5	1	102394	TIMER, 60 MIN., INDICATING
4	2	102533	BLOCK, CONTACT
3	1	102534	SWITCH, SELECTOR
2	1	105692	LABEL, CONTROL PANEL, ON/OFF
1	1	104981	PANEL WELDMENT, ON/OFF CONTROL

TOLERANCES	DECIMAL	ANGULAR
(EXCEPT AS NOTED)	± N/A	± N/A
SCALE	3/8"=1"	
DRAWN BY	DUTCHMAN	APPROVED BY
		BEUFORD
TITLE	TIMER ASSEMBLY, ON/OFF CONTROL W/ INDICATING TIMER	
DATE	09-19-91	REV.
CK	DRAWING NO. B - 104931	B

CLEVELAND RANGE INC.
 1333 East 179th St. Cleveland, Ohio 44110-2574

THIS DESIGN DESCRIBES A PROPRIETARY ITEM AND IS THE PROPERTY OF CLEVELAND RANGE. THIS DRAWING IS NOT TO BE COPIED OR USED WITHOUT THE APPROVAL OF CLEVELAND RANGE.

LET	REVISIONS	DATE	BY
A	HOLES ADDED TO LABEL P/R 105691 WAS 103718 EO 1C-2182	04-08-92	PJD
B	103891 COLOR/ARTWORK CHANGE & 101981 HOLE PLACEMENT REVISED PER E.O. 1C-2503 & C-2424	09-21-93	PJD



NO.	QTY	PART	DESCRIPTION
4	1	102534	SWITCH, SELECTOR
3	2	102533	BLOCK, CONTACT
2	1	104981	PANEL, CONV, ON/OFF
1	1	105691	LABEL, PANEL, ON/OFF

TOLENCES	UNIT & TOL	SCALE	DRAWN BY	APPROVED BY
DECIMAL	1/2"		DUTCHMAN	D.S.
ANGULAR	1/4"			

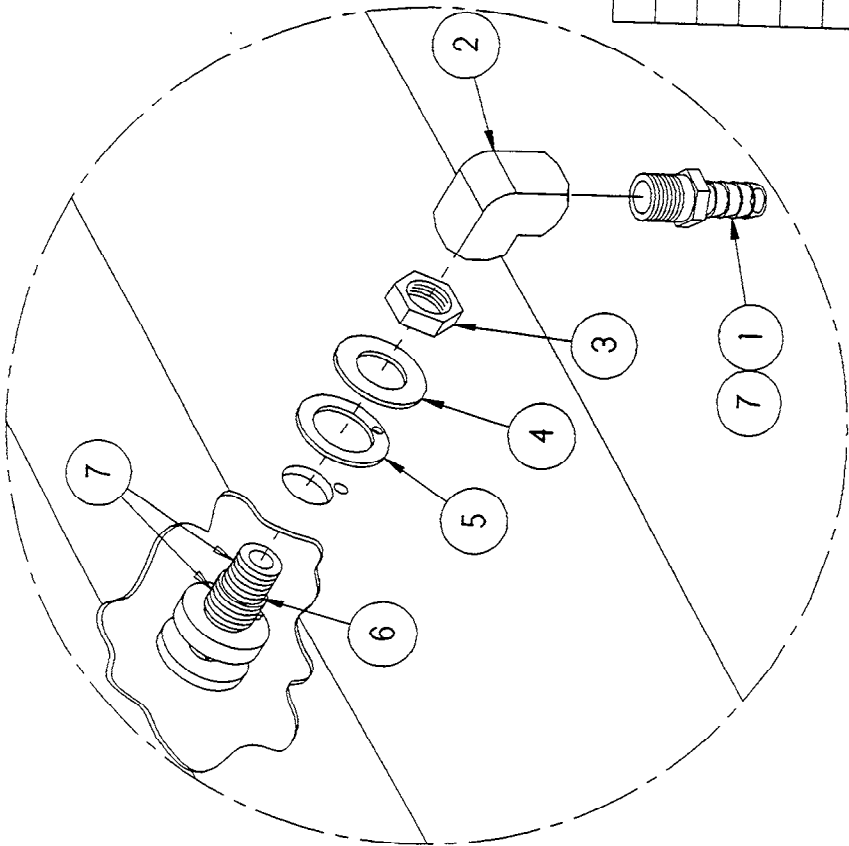
DATE	REV.
09-18-91	B
	C

THIS DESIGN DESCRIBES A PROPRIETARY ITEM AND IS THE PROPERTY OF CLEVELAND RANGE. NO REPRODUCTION OR COPYING IS PERMITTED WITHOUT THE APPROVAL OF CLEVELAND RANGE.

LET.	REVISIONS	DATE	BY
A	SEE E.O. #C-2689	09-15-94	PJD

NOTES:

- ITEM 2 (P/N 05236) AND ITEM 1 (P/N 105277) TO BE ROTATED TO AN ANGLE THAT WILL MATCH THE OTHER SPRAY NOZZLES OR MEET A MATING HOSE FITTING.



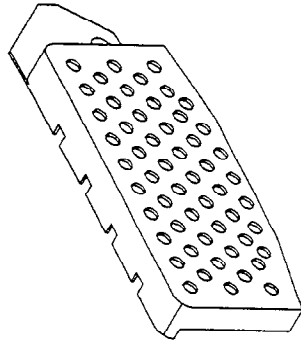
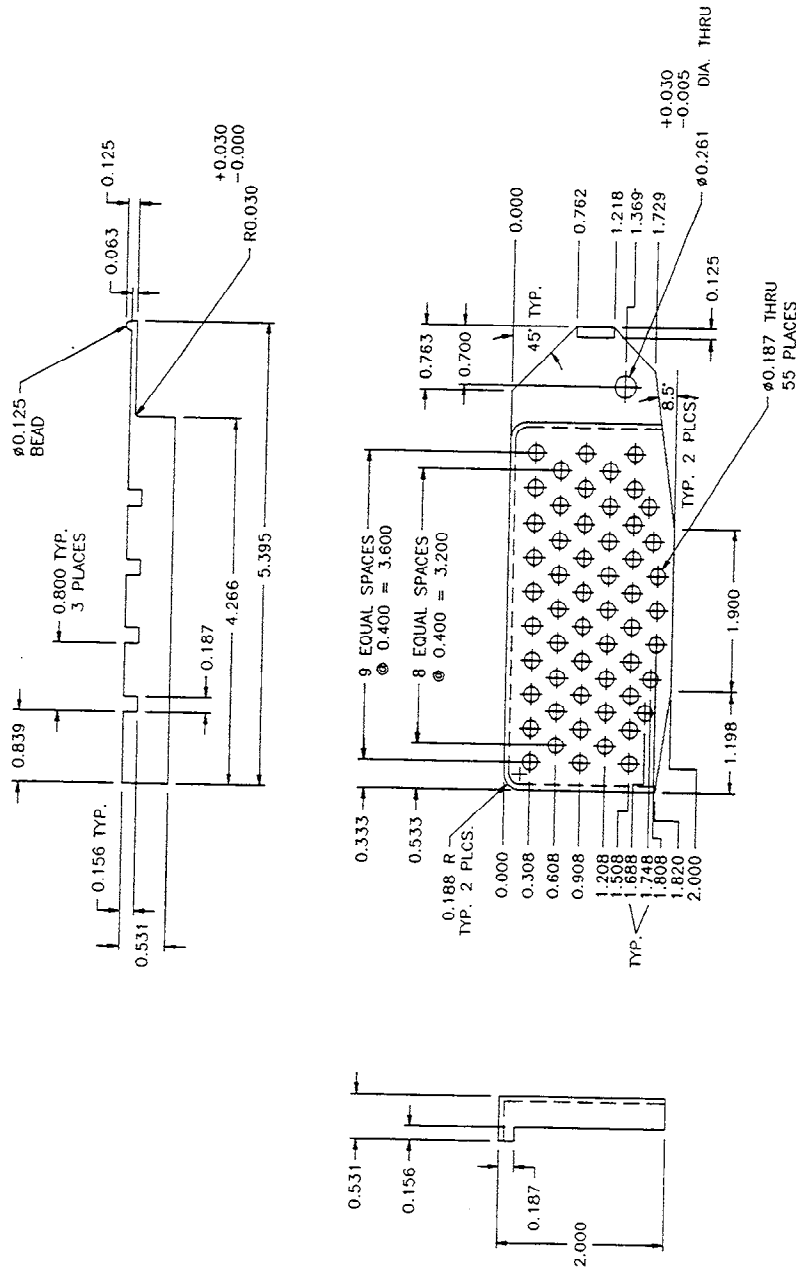
TYPICAL APPLICATION

THIS DESIGN DESCRIBES A PROPRIETARY ITEM AND IS THE PROPERTY OF CLEVELAND RANGE. THIS DRAWING IS NOT TO BE COPIED OR USED WITHOUT THE APPROVAL OF CLEVELAND RANGE.

ITEM	QTY.	PART NO.	DESCRIPTION
7	A/R	00934	SEALANT, RECTORSEAL
6	1	104009	FITTING, ASSY, STEAM SUPPLY
5	1	104082	GASKET, STEAM INJECTOR
4	1	104232	WASHER, FLAT S/S
3	1	104081	NUT, JAM 5/8-18, BRASS
2	1	05236	ELBOW, 1/4" X 90°, BRASS
1	1	105277	FITTING, HOSE 3/8 H X 1/4 MPT

TOLERANCES (EXCEPT AS NOTED)		CLEVELAND RANGE INC. 1333 East 179th St. Cleveland, Ohio 44110-2574	
DECIMAL	SCALE	DRAWN BY	APPROVED BY
± .030	1/2"	DUTCHMAN	THOMPSON
ANGULAR	TITLE		
± 1°	SPRAY NOZZLE ASSY. (3/8" HOSE) CONVECTION AND CONVECTION PRO, STEAMCRAFT POWER 10 AND D.C. 10		
CK	DATE	DRAWING NO.	REV.
	12-14-92	A - 106230	A

NOTE: TOLERANCES ARE NON-ACCUMULATIVE



MATERIAL: TALC FILLED POLYPROPYLENE
 NOMINAL THICKNESS: 0.062 IN.
 COLOR: NATURAL

APPROVED SOURCE:

- 1.) ROYAL PLASTIC
 MATERIAL SUPPLIER: FERRO CORP.
 FORMULATION I.D. APP40GR17NA
 NSF DCC F004593-001

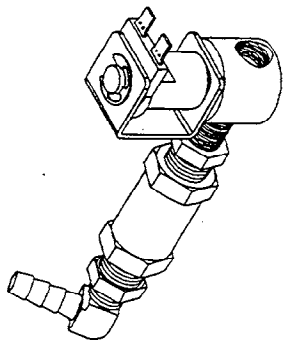


THIS DESIGN RESERVES A F
 OR USED WITHOUT THE APPROVAL OF CLEVELAND RANGE

REV.	REVISIONS	DATE	BY
C	REVISED/REDRAWN DEVELOPED NEW ED. C-1889	07/08/91	DJP
D	REVISED/REDRAWN .187 DIA. HOLES REPLACED BY CHANGED SLOTS ED. C-1939	04/29/91	DJP
E	CHANGED BACK TO .187 DIA. HOLES & MATERIAL CHANGED TO TALC FILLED POLYPROPYLENE PER ED. C-2398 R2	09/24/93	MLT
F	ADDED APPROVED SOURCE PER ED. C-2853	07/31/95	DJP

ITEM	QTY	PART NO.	DESCRIPTION
TOLERANCES EXCEPT AS NOTED			CLEVELAND RANGE INC. 1333 East 17th, S. Cleveland, Ohio 44110-2574
DECIMAL ± 0.30		SCALE 1=1	DRAWN BY NLT APPROVED BY
ANGULAR ± 1°			TITLE SCREEN DRAIN CO. MOLDED PLA TENT,
AC		DATE 12/16/92	DRAWING NO. C-60708
			REV

LET.	REVISIONS	DATE	BY
------	-----------	------	----



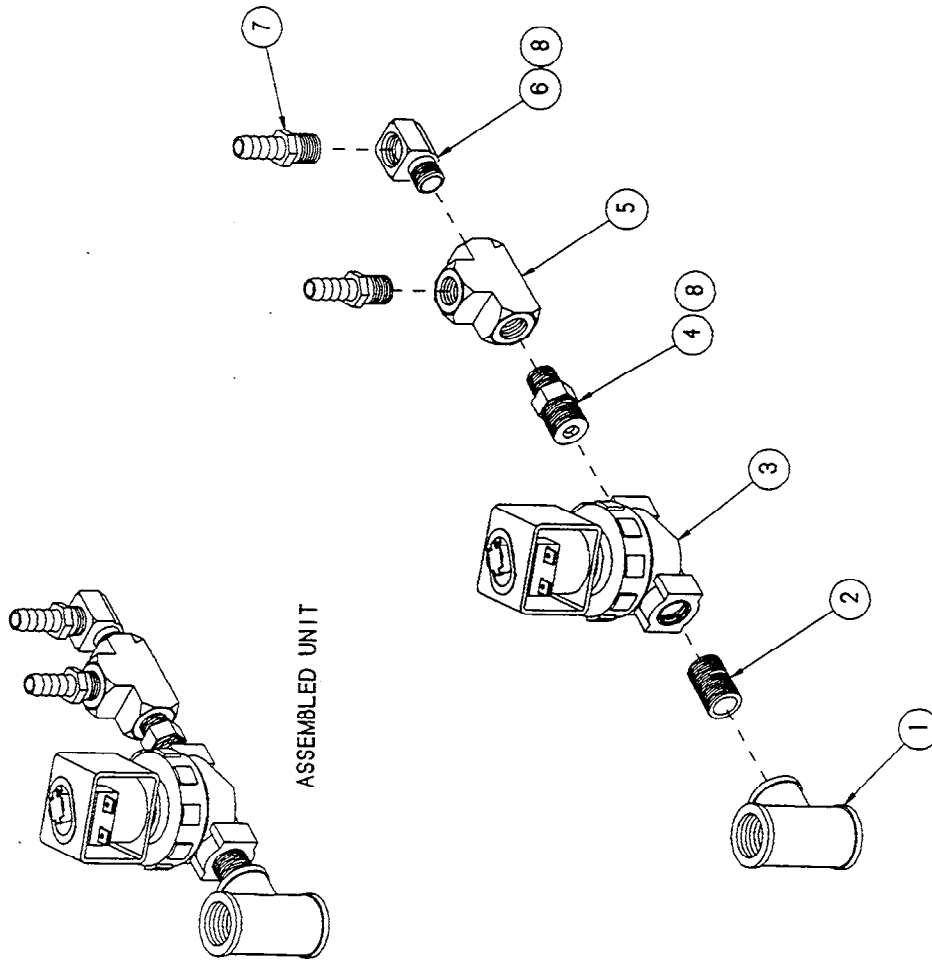
ASSEMBLED UNIT

PRODUCTION

5	1	15455	FLOW CONTROLLER, COND REGULATOR, 3/8"
4	2	02594	BUSHING, HEX, 3/8 X 1/4, BRASS
3	1	14304	NIPPLE, 1/4 X CLOSE, YELLOW BRASS
2	1	22218	VALVE, SOLENOID
1	1	105786	FITTING, ROSEBARR, 1/4APT X 1/4H, 90°
ITEM QTY.		PART NO.	DESCRIPTION
TOLERANCES (EXCEPT AS NOTED)			
DECIMAL	± .030		
ANGULAR	± 1°		
CK	DATE	02-23-94	DRAWING NO. B - 106831
CLEVELAND RANGE INC.		1333 East 179th St. Cleveland, Ohio 44110-2574	
SCALE	5/8"	DRAWN BY	Dutchman
TITLE		WATER VALVE ASSEMBLY CONVECTION	
APPROVED BY			
REV.		-	

THIS DESIGN DESCRIBES A PROPRIETARY ITEM AND IS THE PROPERTY OF CLEVELAND RANGE. THIS DRAWING IS NOT TO BE COPIED OR USED WITHOUT THE APPROVAL OF CLEVELAND RANGE.

LET REVISIONS DATE BY



ASSEMBLED UNIT

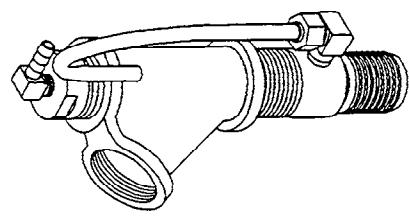
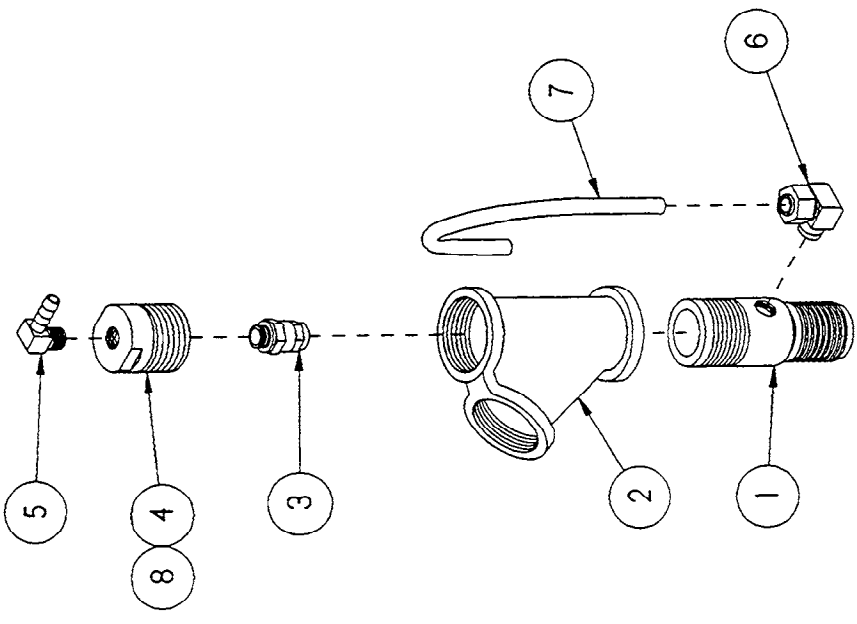
PRODUCTION

ITEM	QTY.	PART NO.	DESCRIPTION
8	A/R	00934	SEALANT, RECTORSEAL
7	2	105277	FITTING, HOSE BARR. 3/8 H X 1/4 NPT
6	1	05235	ELBOW, STREET 1/4" X 90°, BRASS
5	1	20199	TEE, 1/4" BRASS
4	1	105699	FITTING, FLOW RESTRICTOR, 3/8 X 1/4
3	1	22224	VALVE, STEAM SOLENOID 1-80 PSI
2	1	14427	NIPPLE, 3/8 X CLOSE, BRASS
1	1	100676	TEE, 1/2 X 3/8 X 1/2, BRASS

TOLERANCES (EXCEPT AS NOTED)		CLEVELAND RANGE INC. 1333 East 179th St., Cleveland, Ohio 44110-2574	
DECIMAL	± N/A	SCALE	1/2"
ANGULAR	± N/A	DRAWN BY	Dulichman
		TITLE	STEAM, INLET ASSEMBLY CONVECTION
CK		DATE	02-23-94
		DRAWING NO.	B - 106830
		REV.	-

THIS DESIGN DESCRIBES A PROPRIETARY ITEM AND IS THE PROPERTY OF CLEVELAND RANGE. THIS DRAWING IS NOT TO BE COPIED OR USED WITHOUT THE APPROVAL OF CLEVELAND RANGE.

LET.	REVISIONS	DATE	BY
A	P/N 105787 WAS 08192 PER E.O. 12812	02-25-94	PJD



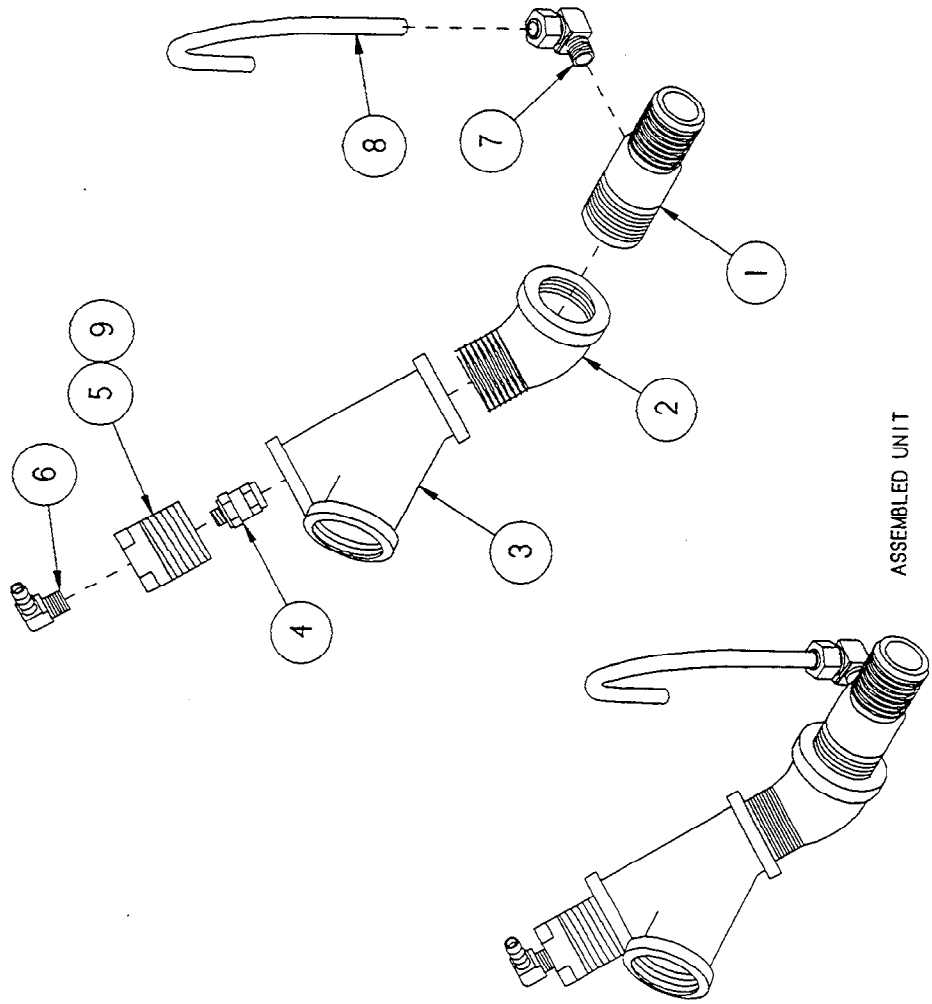
ASSEMBLED UNIT

ITEM	QTY.	PART NO.	DESCRIPTION
8	A/R	101051	NEVER-SEEZ
7	1	70732	TUBE, COPPER, DRAIN VENT
6	1	06233	FITTING, COMP. 3/8 T X 1/8 90°
5	1	105787	FITTING 1/4 H X 1/8 MPT 90°
4	1	06230	FITTING, COMPARTMENT DRAIN
3	1	14555	NOZZLE, SPRAY, 1/8 FULL JET
2	1	02139	BEND, "Y" BLACK
1	1	565191	FITTING, HOSE 1" W/ 1/8" HOLE

TOLERANCES (EXCEPT AS NOTED)		CLEVELAND RANGE INC.	
DECIMAL	± N/A	1333 East 179th St. Cleveland, Ohio 44110-2574	
ANGULAR	± N/A	SCALE	1/2" = 1"
CK		DRAWN BY	PJD
		APPROVED BY	
		TITLE	
		DRAIN ASSEMBLY, CONVECTION UPPER COMPARTMENT	
DATE	11-01-93	DRAWING NO.	B - 106473
REV.	A		

THIS DESIGN DESCRIBES A PROPRIETARY ITEM AND IS THE PROPERTY OF CLEVELAND RANGE. THIS DRAWING IS NOT TO BE COPIED OR USED WITHOUT THE APPROVAL OF CLEVELAND RANGE.

LET.	REVISIONS	DATE	BY
A	P/N 105787 WAS 06192 PER E.O. #C-2579	02-25-94	PJD



ASSEMBLED UNIT

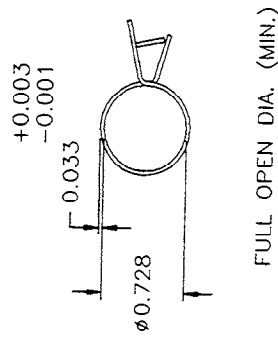
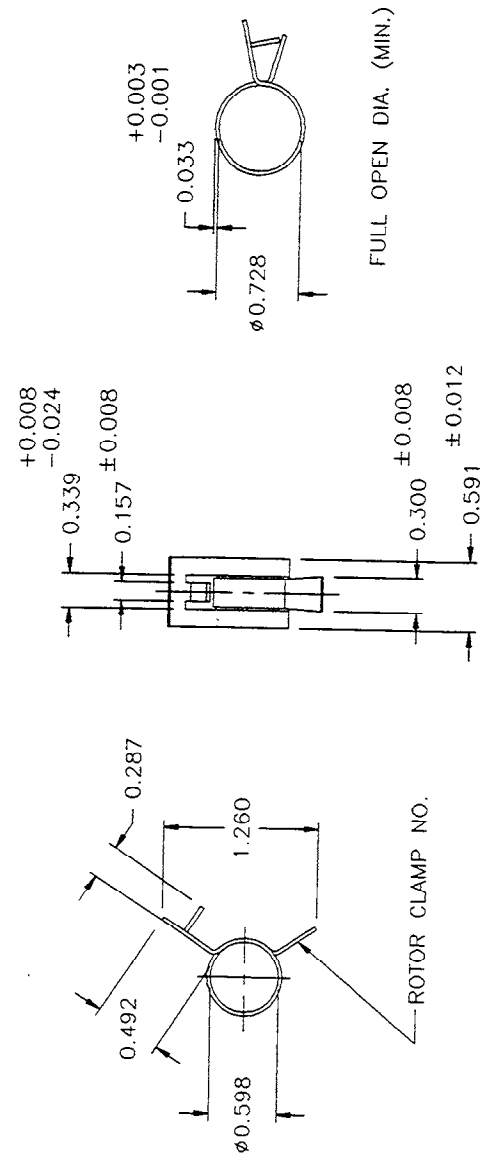
THIS DESIGN DESCRIBES A PROPRIETARY ITEM AND IS THE PROPERTY OF CLEVELAND RANGE. THIS DRAWING IS NOT TO BE COPIED OR USED WITHOUT THE APPROVAL OF CLEVELAND RANGE.

A/R	ITEM	DESCRIPTION
9	101051	NEVER-SEEZ
8	70732	FITTING, HOSE 3/8 H X 1/8 MPT, 90°
7	06233	FITTING, COMP. 3/8 T X 1/8 90°
6	105787	FITTING 1/4 H X 1/8 MPT 90°
5	06230	FITTING, COMPARTMENT DRAIN
4	14555	NOZZLE, SPRAY, 1/8" FULL JET
3	02139	BEND, "Y" BLACK
2	05227	ELBOW, STREET 1" X 45° BLACK
1	565191	FITTING, HOSE 1" W/ 1/8" HOLE
	ITEM QTY.	PART NO.

TOLERANCES (EXCEPT AS NOTED)	
DECIMAL	± N/A
ANGULAR	± N/A
DATE	11-01-93
DRAWING NO.	B - 1064731
REV.	A

CLEVELAND RANGE INC.
1333 East 179th St., Cleveland, Ohio 44110-2574
SCALE 1/2" = 1"
DRAWN BY PJD
APPROVED BY
TITLE DRAIN ASSEMBLY, CONVECTION LOWER COMPARTMENT

LET.	REVISIONS	DATE	BY
------	-----------	------	----



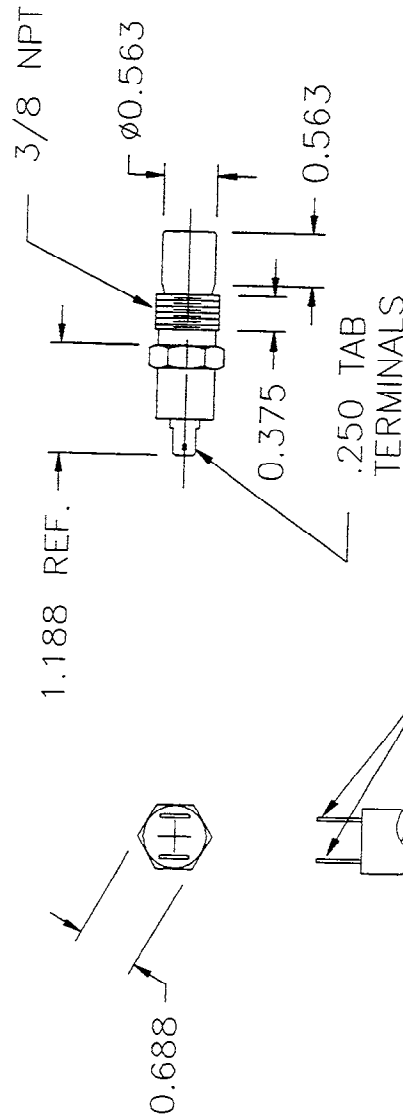
APPROVED SOURCE :
 ALEXANDER SALES
 ROTOR CLIP P/N = #CTB-17 ST DB

SPECIFICATIONS :
 MATERIAL = CHROME VANADIUM STEEL SAE 6150
 (DIN 17222, JIS G 4802)
 FINISH = DORRIFLAKE BLACK
 COLOR = BLACK

ITEM	QTY	PART NO.	DESCRIPTION
TOLEANCES (EXCEPT AS NOTED)			CLEVELAND RANGE INC. 1333 East 179th St. Cleveland, Ohio 44110-2574
DECIMAL ± .030	SCALE 1 = 1	DRAWN BY PJD	APPROVED BY
ANGULAR ± 1°	TITLE CLAMP, HOSE (5/8" O.D. HOSE) METAL TENSION BAND		
AC	DATE	DRAWING NO.	REV

THIS DESIGN DESCRIBES A PROPRIETARY ITEM AND IS THE PROPERTY OF CLEVELAND RANGE.
 THIS DRAWING IS NOT TO BE COPIED OR USED WITHOUT THE APPROVAL OF CLEVELAND RANGE

LET.	REVISIONS	DATE	BY
A	ADDED APPROVED SOURCE NO. 2	1-03-78	DK
B	1) WAS MODEL NO. 5022-2-181 2) ADDED TO APPROVED SOURCE NO.1	5-06-81	FGF
C	WAS MODEL NO. 08-810211-045 REVISED PER ECN #1017	1-16-85	JM
D	REF: FENWAL INC. ADD: C.S.A. FILE NO. PER ECO #1202	9-30-87	DJP
-	REDRAWN (ACAD), NO CHANGE	10-21-93	CCAD



NOTE:
STRAIGHTEN TABS
TO ALLOW FOR
SOCKET WRENCH.

SPECIFICATIONS:
CLOSE ON RISE ~ 193 ± 5°F
OPEN ~ 173 ± 7°F
UL APPROVED

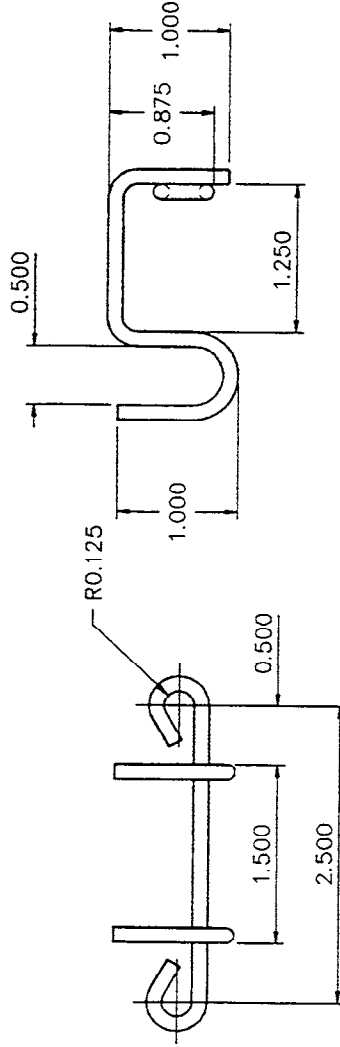
ITEM	QTY	PART NO.	DESCRIPTION
TOLERANCES (EXCEPT AS NOTED)			CLEVELAND RANGE INC. 1333 East 179th St. Cleveland, Ohio 44110-2574
DECIMAL ± --		SCALE 1=2	DRAWN BY TKB APPROVED BY
ANGULAR ± 1°		TITLE THERMAL SWITCH	
AC		DATE 5-29-74	DRAWING NO. A-19972
			REV D

APPROVED SOURCE

- PROTECTIVE CONTROLS INC.
MODEL NO. 5100-002-181
U.L. FILE NO. E 36687
C.S.A FILE NO. LR 25561
- FENWAL INCORPORATED
MODEL NO. 08-809004-001
U.L. FILE NO. E18974C
C.S.A. FILE NO. LR7378-111

THIS DESIGN DESCRIBES A PROPRIETARY ITEM AND IS THE PROPERTY OF CLEVELAND RANGE.
THIS DRAWING NOT TO BE COPIED OR USED WITHOUT THE APPROVAL OF CLEVELAND RANGE

LET.	REVISIONS	DATE	BY
A	REDESIGNED PER ED C-2579R1.	7-18-94	EJK



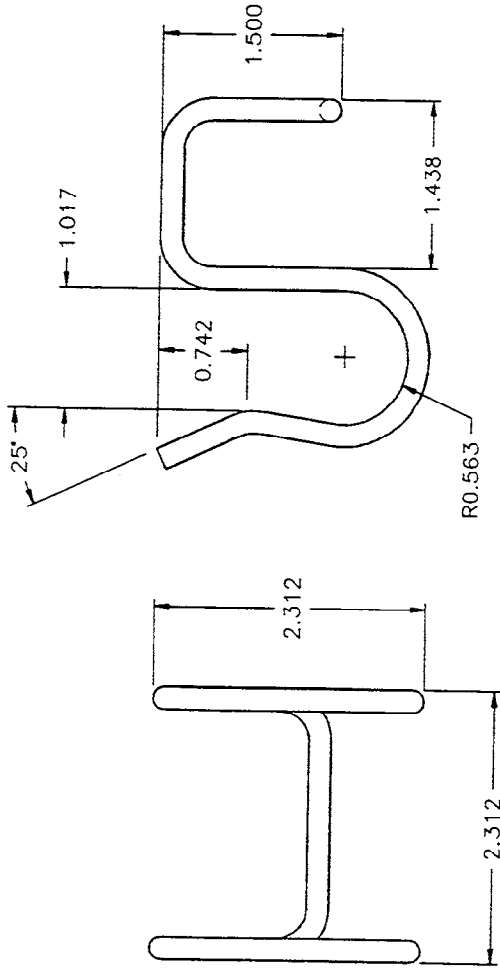
MATERIAL: 304 STAINLESS STEEL WIRE
11 GAGE (.120)

ITEM	QTY	PART NO.	DESCRIPTION
TOLERANCES (EXCEPT AS NOTED)			CLEVELAND RANGE INC. 1333 East 179th St. Cleveland, Ohio 44110-2574
DIMENSIONAL $\pm .125$	SCALE 1=1	DRAWN BY EJK	APPROVED BY
ANGULAR $\pm 1^\circ$	TITLE BRACKET, WIRE CONDENSER SOL.		
AC	DATE 10-20-92	DRAWING NO. B-106159	REV A

THIS DESIGN DESCRIBES A PROPRIETARY ITEM AND IS THE PROPERTY OF CLEVELAND RANGE.
THIS DRAWING IS NOT TO BE COPIED OR USED WITHOUT THE APPROVAL OF CLEVELAND RANGE.

NOTES:

1. ALL BEND RADII ARE .25 UNLESS OTHERWISE SPECIFIED.



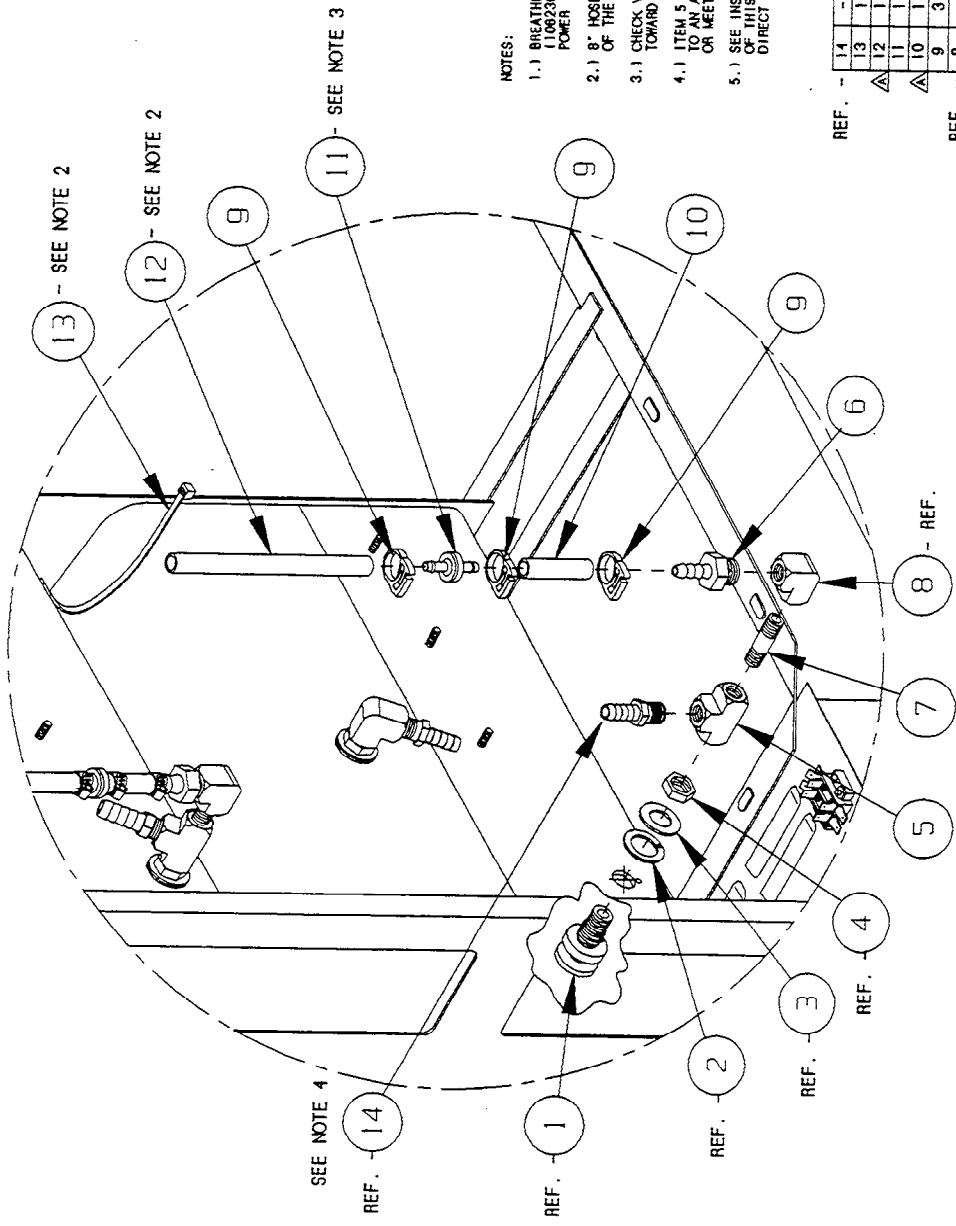
MATERIAL:
WIRE, STAINLESS STEEL, 304
3/16 DIA WIRE

LET.	REVISIONS	DATE	BY

ITEM	QTY	PART NO.	DESCRIPTION
TOLERANCES (EXCEPT AS NOTED)			CLEVELAND RANGE INC. 1333 East 179th St. Cleveland, Ohio 44110-2574
DECIMAL ± .030	SCALE 1=1	DRAWN BY JPB	APPROVED BY
ANGULAR ± 1°	TITLE BRACKET, WIRE, VALVE SUPPORT		
AC	DATE 1/10/94	DRAWING NO. B-106752	REV -

THIS DESIGN DESC. PROPRIETARY ITEM AND IS THE PROPERTY OF CLEVELAND RANGE.
THIS DRAWING IS TO BE COPIED OR USED WITHOUT THE APPROVAL OF CLEVELAND RANGE.

LET.	REVISIONS	DATE	BY
A	SEE E.O. 10-2785	12-10-94	PJD



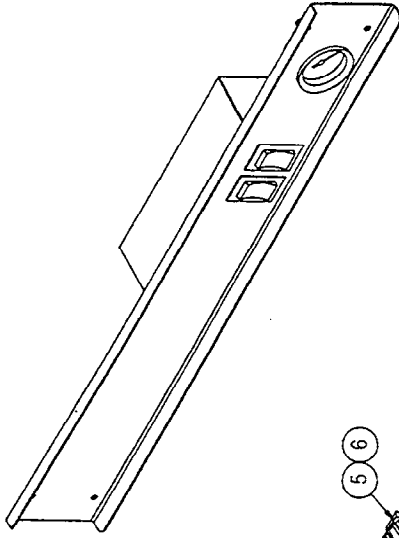
- NOTES:
- 1.1 BREATHER ASSY. PLACE PER CAVITY ON ALL CONNECTION, POWER 10 AND DIRECT CONNECT 10 UNITS.
 - 2.1 8" HOSE IS TO BE SECURED WITH NYLON CABLE TO THE HOSE OF THE SPRAY NOZZLE ASSY. DIRECTLY ABOVE THE NEW ASSY.
 - 3.1 CHECK VALVE - SIDE WHICH READS "VAC" MUST FACE DOWN TOWARD HOSE BARR
 - 4.1 ITEM 5 (P/N 20199) AND ITEM 14 (P/N 105277) TO BE ROTATED TO AN ANGLE THAT WILL MATCH THE OTHER SPRAY NOZZLES ON NEXT 4 MATING HOSE FITTING
 - 5.1 SEE INSTRUCTIONAL DRAWING 280ALC1-280ALC3 FOR INSTALLATION OF THIS ASSEMBLY INTO THE CONNECTION, TOWER 10 AND DIRECT CONNECT STEAMER UNITS.

REF.	ITEM	QTY.	PART NO.	DESCRIPTION
14	1	105277	FITTING, 3/8 HOSE X 1/4 MPT	
13	1	20451	TIE, NYLON CABLE	
12	1	1043790500	HOSE, SILICONE 1/4 ID X 1/2 OD X 5	
11	1	107032	CHECK VALVE, PLASTIC DIAPHRAGM	
10	1	1043790300	HOSE, SILICONE 1/4 ID X 1/2 OD X 3	
9	3	14883	CLAMP, HOSE, NYLON	
8	1	05238	ELBOW, 1/4 X 90°, BRASS	
7	1	14411	NIPPLE, 1/4 X 1.5", BRASS	
6	1	104381	FITTING, 1/4 HOSE X 1/4 MPT	
5	1	20199	TEE, 1/4 BRASS	
4	1	104081	NUT, HEX JAM 5/8-18 BRASS	
3	1	104232	WASHER, FLAT 5/8	
2	1	104082	GASKET, STEAM INJECTOR	
1	1	104009	FITTING ASSY., STEAM SUPPLY	

TOLERANCES	SCALE	DRAWN BY	APPROVED BY
(EXCEPT AS NOTED)	3/16±.1	BJT/CHMAN	
DECIMAL	ANGULAR	TITLE	DATE
± 1/4	± 1/4	BREATHER/SPRAY NOZZLE ASSY. (3/8" HOSE) CONNECTION, POWER 10 AND D.C. 10	09-15-94
CK	REV.	DRAWING NO.	REV.
		C - 107059	A

THIS DESIGN DESCRIBES A PROPRIETARY ITEM AND IS THE PROPERTY OF CLEVELAND RANGE. THIS DRAWING IS NOT TO BE COPIED OR USED WITHOUT THE APPROVAL OF CLEVELAND RANGE.

LET	REVISIONS	DATE BY
A	DELETED P/H 23116. P/H'S REVISED:	05-19-94/EAG
-	1) 105133 WAS 1041543. 2) 105134 WAS	
-	1041544. 3) 105135 WAS 1041545.	
-	4) 1051331 WAS 104154. 5) 1051341 WAS	
-	1041541. 6) 1051331 WAS 1041542.	
-	7) P/H 106740 WAS 105516. E.O. C-2843	

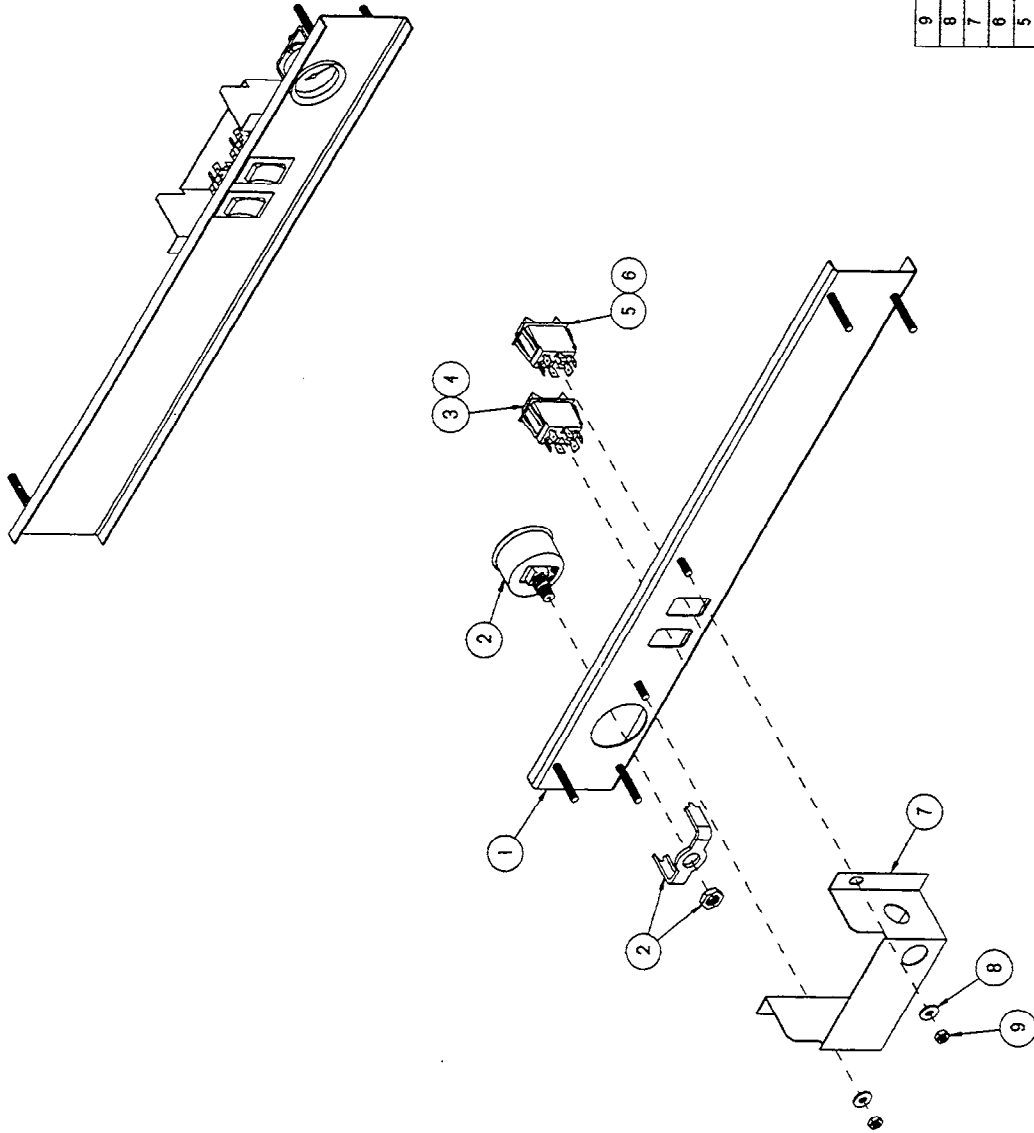


ITEM	QTY.	PART NO.	DESCRIPTION
8	2	14665	MUT. HEX LOCK ELASTIC, 1/4-20, S/S
7	1	106740	BOX, SWITCH PROTECTION
6	1	15018	LABEL, POWER, CONSOLE SWITCH
5	1	19993	SWITCH, ROCKER, DPDT, ON-OFF, 6 AMP
4	1	15019	LABEL, STEAM-CONSOLE SWITCH
3	1	19994	SWITCH, ROCKER, SPST, 15 AMP
2	1	07168	GAUGE, PRESSURE, BACK MOUNT, 10 PSI
	1	1051351	CONSOLE STUD ASSY, 1050 MM 1 SWITCH
	1	1051341	CONSOLE STUD ASSY, 900 MM 1 SWITCH
1	1	1051331	CONSOLE STUD ASSY, 600 MM 1 SWITCH
	1	105135	CONSOLE STUD ASSY, 1050 MM 2 SWITCH
	1	105134	CONSOLE STUD ASSY, 900 MM 2 SWITCH
	1	105133	CONSOLE STUD ASSY, 600 MM 2 SWITCH

TOLERANCES UNLESS NOTED	SCALE	DRAWN BY	DUTCHMAN	APPROVED BY
DECIMAL ± N/A	3/8			
ANGULAR ± 1°				
104807				
1048071				
1048072				
1048073				
1048074				
1048075				

THIS DESIGN DESCRIBES A PROPRIETARY ITEM AND IS THE PROPERTY OF CLEVELAND RANGE. THIS DRAWING IS NOT TO BE COPIED OR USED WITHOUT THE APPROVAL OF CLEVELAND RANGE.

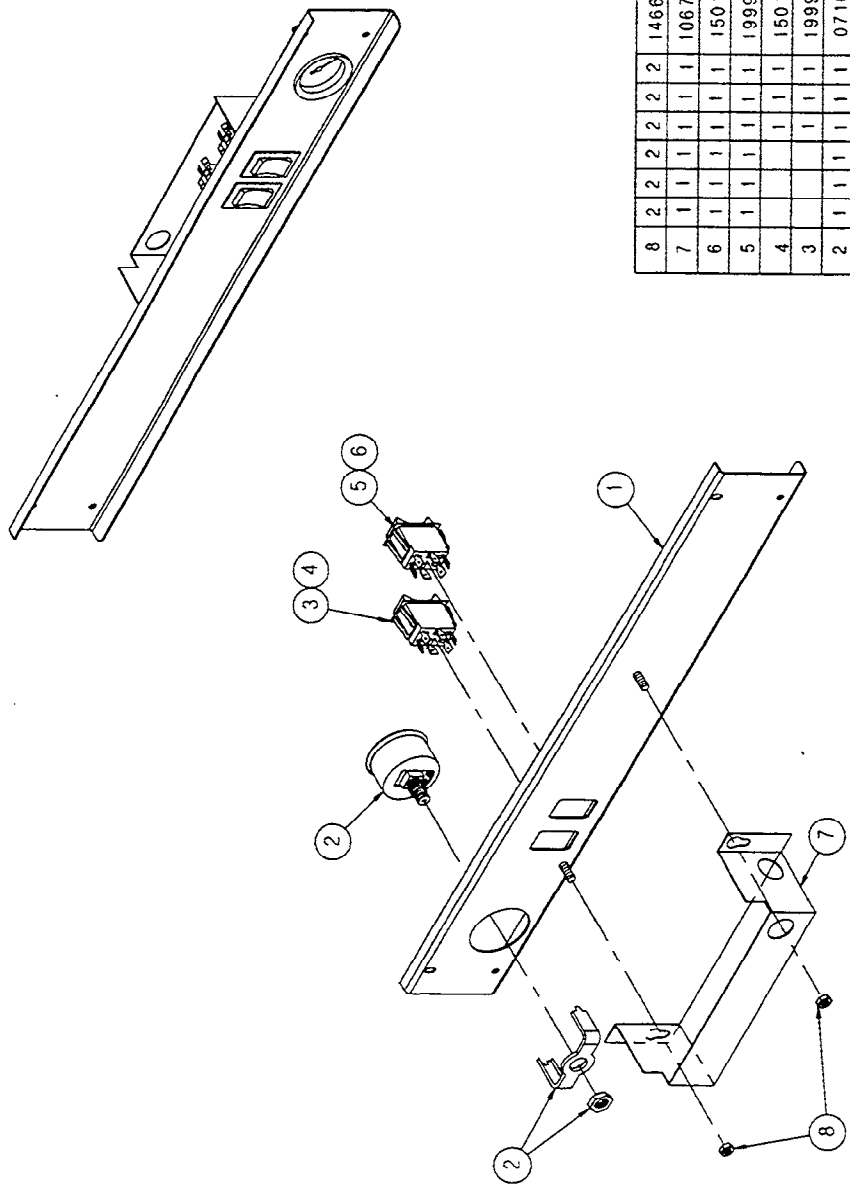
LET REVISIONS DATE BY



ITEM	QTY.	PART NO.	DESCRIPTION
9	2	14865	NUT, HEX LOCK ELASTIC, 1/4-20, S/S
8	2	23116	WASHER, FLAT, 1/4 1D X 5/8 OD X .085
7	1	105518	BOX, SWITCH PROTECTION
6	1	15018	LABEL, POWER, CONSOLE SWITCH
5	1	19993	SWITCH, ROCKER, DPDT, ON-OFF, 6 AMP
4	1	15019	LABEL, STEAM-CONSOLE SWITCH
3	1	19994	SWITCH, ROCKER, SPST, 15 AMP
2	1	07168	GAUGE, PRESSURE, BACK MOUNT, 10 PSI
1	1	1041543	CONSOLE STUD ASSY, 900 MM 2 SWITCH

TOLERANCES (UNLESS OTHERWISE SPECIFIED)		CLEVELAND RANGE INC. 1333 East 179th St. Cleveland, Ohio 44110-2574	
DECIMAL	SCALE	DRAWN BY	APPROVED BY
+ .001	3/8	E. GRIVEAS	NLT
ANGULAR	TITLE	CONSOLE ASSY, 800 MM, 2 SWITCH CONTROL	
± .1°	DATE	DRAWING NO.	REV
CK	10-08-93	C - 1048073	-

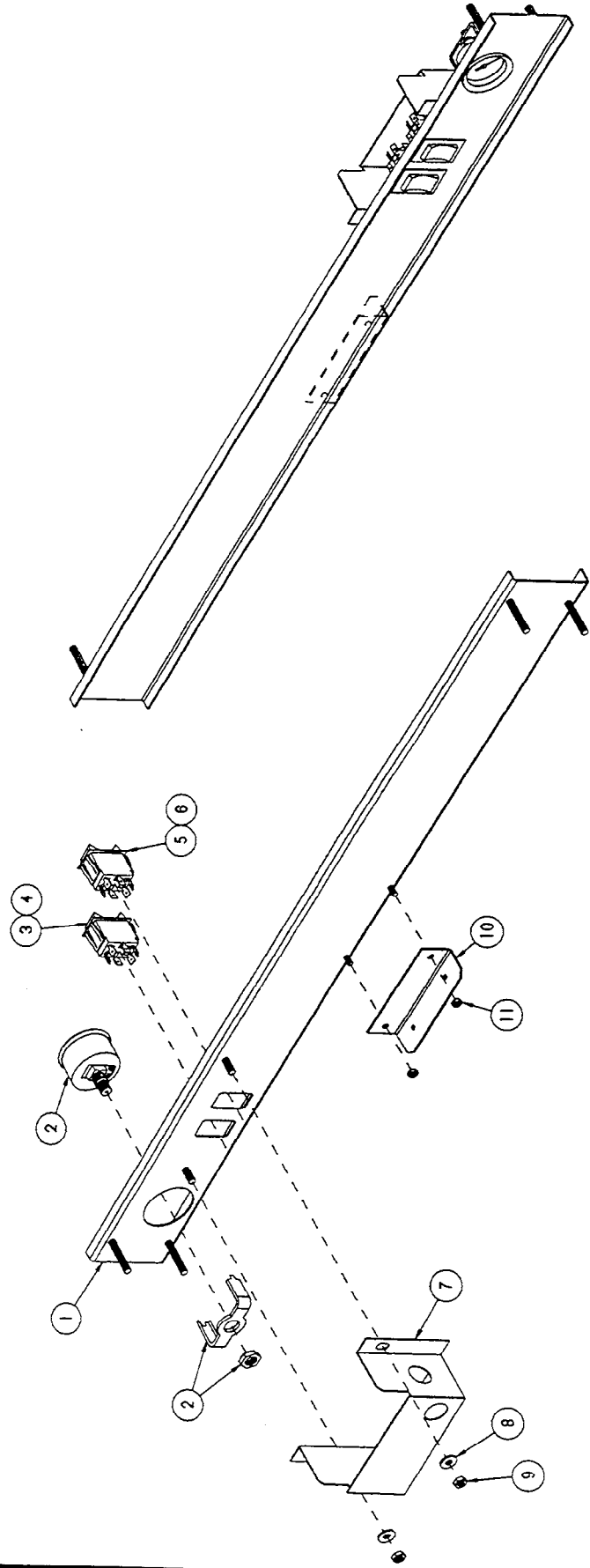
THIS DESIGN DESCRIBES A PROPRIETARY ITEM AND IS THE PROPERTY OF CLEVELAND RANGE. THIS DRAWING IS NOT TO BE COPIED OR USED WITHOUT THE APPROVAL OF CLEVELAND RANGE.



ITEM	QTY.	PART NO.	DESCRIPTION
106193	1	106193	CONSOLE STUD ASSY. 600 MM 2 SWITCH
1061931	1	1061932	CONSOLE STUD ASSY. 1050 MM 2 SWITCH
1061932	1	1061933	CONSOLE STUD ASSY. 900 MM 2 SWITCH
1061933	1	1061934	CONSOLE STUD ASSY. 1050 MM 1 SWITCH
1061934	1	1061935	CONSOLE STUD ASSY. 900 MM 1 SWITCH
1061935	1	07168	GAUGE, PRESSURE, BACK MOUNT, 10 PSI
1061936	1	19994	SWITCH, ROCKER, SPST, 15 AMP
1061937	1	15019	LABEL, STEAM-CONSOLE SWITCH
1061938	1	19993	SWITCH, ROCKER, DPDT, ON-OFF, 6 AMP
1061939	1	15018	LABEL, POWER, CONSOLE SWITCH
1061940	1	106739	BOX, SWITCH PROTECTION
1061941	1	14665	NUT, HEX LOCK ELASTIC, 1/4-20, S/S

CLEVELAND RANGE, INC. 1333 East 179th St. Cleveland, Ohio 44110-2574	
SCALE 3/8	DRAWN BY E. GRIVEAS
TITLE	CONSOLE ASSY, TABLETOP W/TOP 1 & 2 SWITCH CONTROL
DATE	05-19-84
REV	C - 106193 TO 1061935

THIS DESIGN DESCRIBES PROPRIETARY ITEM AND IS THE PROPERTY OF CLEVELAND RANGE. THIS DRAWING IS NOT TO BE COPIED OR USED WITHOUT THE APPROVAL OF CLEVELAND RANGE.

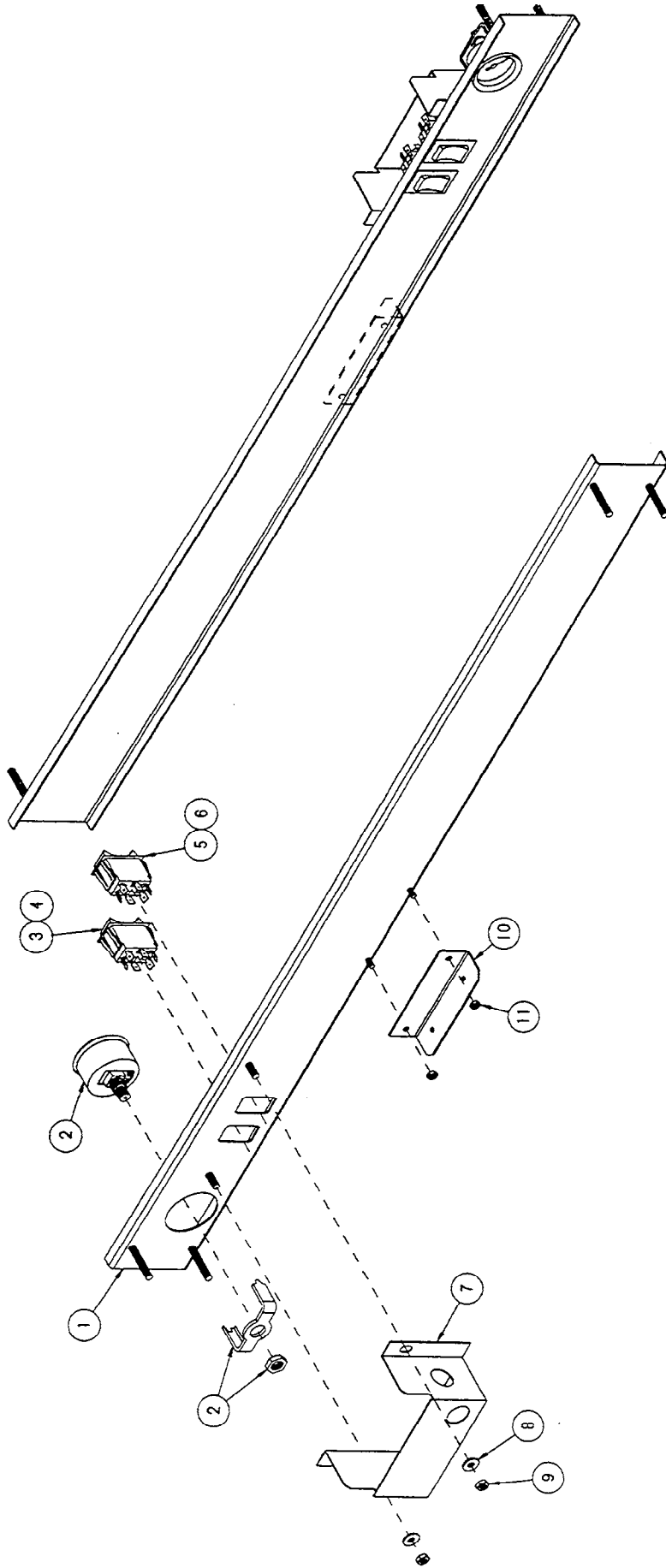


ITEM	QTY.	PART NO.	DESCRIPTION
11	2	14692	NUT, HEX LOCK ELASTIC, 10-24 ZINC PL
10	1	102535	BRACKET, MAGNET MOUNT
9	2	14865	NUT, HEX LOCK ELASTIC, 1/4-20, S/S
8	2	23116	WASHER, FLAT, 1/4 10 X 5/8 OD X .08
7	1	105516	BOX, SWITCH PROTECTION
6	1	15018	LABEL, POWER, CONSOLE SWITCH
5	1	19993	SWITCH, ROCKER, DPDT, ON-OFF, 6 AMP
4	1	15019	LABEL, STEAM-CONSOLE SWITCH
3	1	19994	SWITCH, ROCKER, SPST, 15 AMP
2	1	07168	GAUGE, PRESSURE, BACK MOUNT, 10 PSI
1	1	1041544	CONSOLE STUD ASSY, 900 MM 2 SWITCH

TOLERANCES (unless otherwise noted)		DESCRIPTION	
DECIMAL	3/8	SCALE	3/8
ANGULAR	± 1°	TITLE	CONSOLE ASSY, 900 MM, 2 SWITCH CONTROL
DATE	09-20-93	DRAWN BY	E. GRIVEAS
CK		APPROVED BY	NLT
		DRAWING NO.	C - 1048074
		REV	-

CLEVELAND RANGE INC.
1333 East 179th St. Cleveland, Ohio 44110-2574

THIS DESIGN DESCRIBES A PROPRIETARY ITEM AND IS THE PROPERTY OF CLEVELAND RANGE. THIS DRAWING IS NOT TO BE COPIED OR USED WITHOUT THE APPROVAL OF CLEVELAND RANGE.

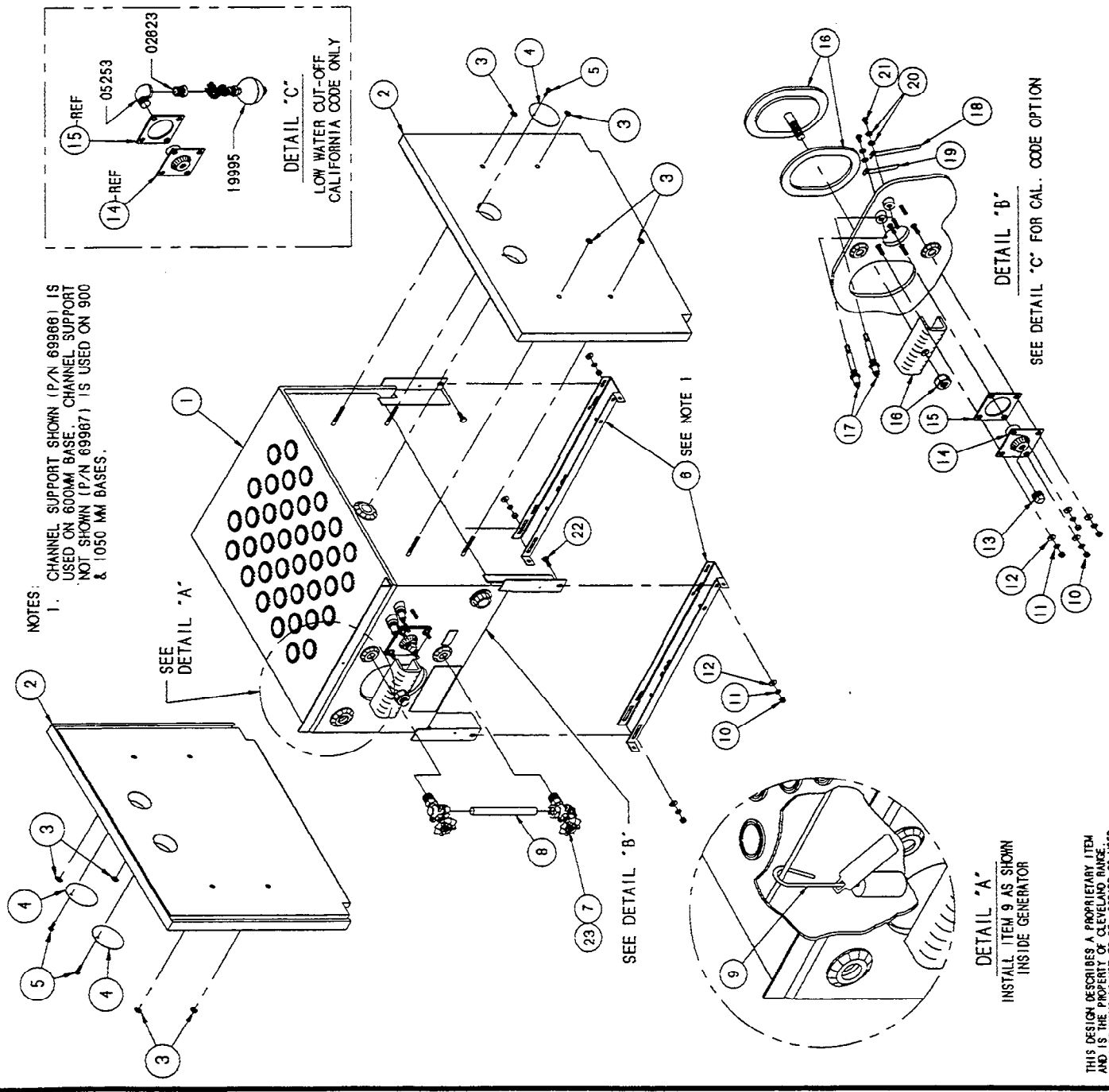


ITEM	QTY.	PART NO.	DESCRIPTION
11	2	14892	NUT, HEX LOCK ELASTIC, 10-24 ZINC PL
10	1	102535	BRACKET, MAGNET MOUNT
9	2	14865	NUT, HEX LOCK ELASTIC, 1/4-20, S/S
8	2	23116	WASHER, FLAT, 1/4 ID X 5/8 OD X .08
7	1	105516	BOX, SWITCH PROTECTION
6	1	15018	LABEL, POWER, CONSOLE SWITCH
5	1	19993	SWITCH, ROCKER, DPDT, ON-OFF, 6 AMP
4	1	15019	LABEL, STEAM-CONSOLE SWITCH
3	1	19994	SWITCH, ROCKER, SPST, 15 AMP
2	1	07168	GAUGE, PRESSURE, BACK MOUNT, 10 PSI
1	1	1041545	CONSOLE STUD ASSY, 1050 MM, 2 SWITCH

TOLERANCES (UNLESS AS NOTED)		CLEVELAND RANGE INC. 1333 East 179th St. Cleveland, Ohio 44110-2514	
DECIMAL	± N/A	SCALE	3/8
ANGULAR	± 1°	DRAWN BY	E. GRIVEAS
CK	08-17-93	APPROVED BY	MLT
DATE		DRAWING NO. C - 1048075	
REV		-	

THIS DESIGN DESCRIBES A PROPRIETARY ITEM AND IS THE PROPERTY OF CLEVELAND RANGE. THIS DRAWING IS NOT TO BE COPIED OR USED WITHOUT THE APPROVAL OF CLEVELAND RANGE.

NOTES:
 1. CHANNEL SUPPORT SHOWN (P/N 69966) IS USED ON 600MM BASE. CHANNEL SUPPORT NOT SHOWN (P/N 69967) IS USED ON 900 & 1050 MM BASES.



NO.	QTY.	PART NO.	DESCRIPTION
23	4	00934	SEALANT, RECTORSAL
22	4	19288	SCREW, HEX HEAD, 1/4-20 X 3/4
21	4	19218	SCREW, HEX HEAD, 1/4-20 X 3/8 S/S
20	4	23151	WASHER, INTERNAL TOOTH LOCK, 1/4
19	1	82452	EXTENSION, WATER PROBE 1/2 X 3-1/8
18	1	82453	EXTENSION, WATER PROBE, 1/2 X 1-5/8
17	2	10071	PROBE WARRICK, 4-5/16" LG
16	1	40421	HAND HOLE FLATE & BAR ASSM
15	1	07128	GASKET, HEATER
14	1	41943	PLATE, MOUNTING
13	1	18802	FLD, SQUARE 1/2 PIPE, BLACK
12	8	23116	WASHER, FLAT, 1/4 S/S
11	8	23105	WASHER, SPLIT LOCK, 1/4 S/S
10	8	14818	NUT, HEX, 1/4 - 20 S/S
9	1	43895	ANODE ASSM CORROSION PREVENTATIVE
8	1	07302	GAUGE, WATER, 5/8 X 6, GLASS
7	1	07176	GAUGE, FITTINGS, WATER, 1/2"
6	-	89966	SUPPORT, GEN. MTG. CHANNEL 600MM S/S
5	3	19116	SUPPORT, GEN MTG CHANNEL 900/1050MM
4	3	105589	SCREW, HEX WASH HD, #10 X 1/2
3	8	14203	FASTENER, PUSHNUT, 1/4" STD DIA.
2	-	100982	PANEL, INSULATION ASM, RIALT LP
1	1	40721	PANEL, INSULATION ASM, RIALT MAT GAS GENERATOR ASSY, GAS-WELDMENT

TOLERANCES (UNLESS NOTED)		CLEVELAND RANGE INC.	
DECIMAL	± .001	1333 East 178th St. Cleveland, Ohio 44116-2374	
ANGULAR	± .001	SCALE	1" = 1"
CK	08-11-93	DRAWN BY	GRUYAS
		TITLE	GAS GENERATOR ASSEMBLY
			3/4 BURNER, W/ REFERENCE PARTS
		DATE	08-11-93
		DRAWING NO.	C-40721WP
		REV.	-

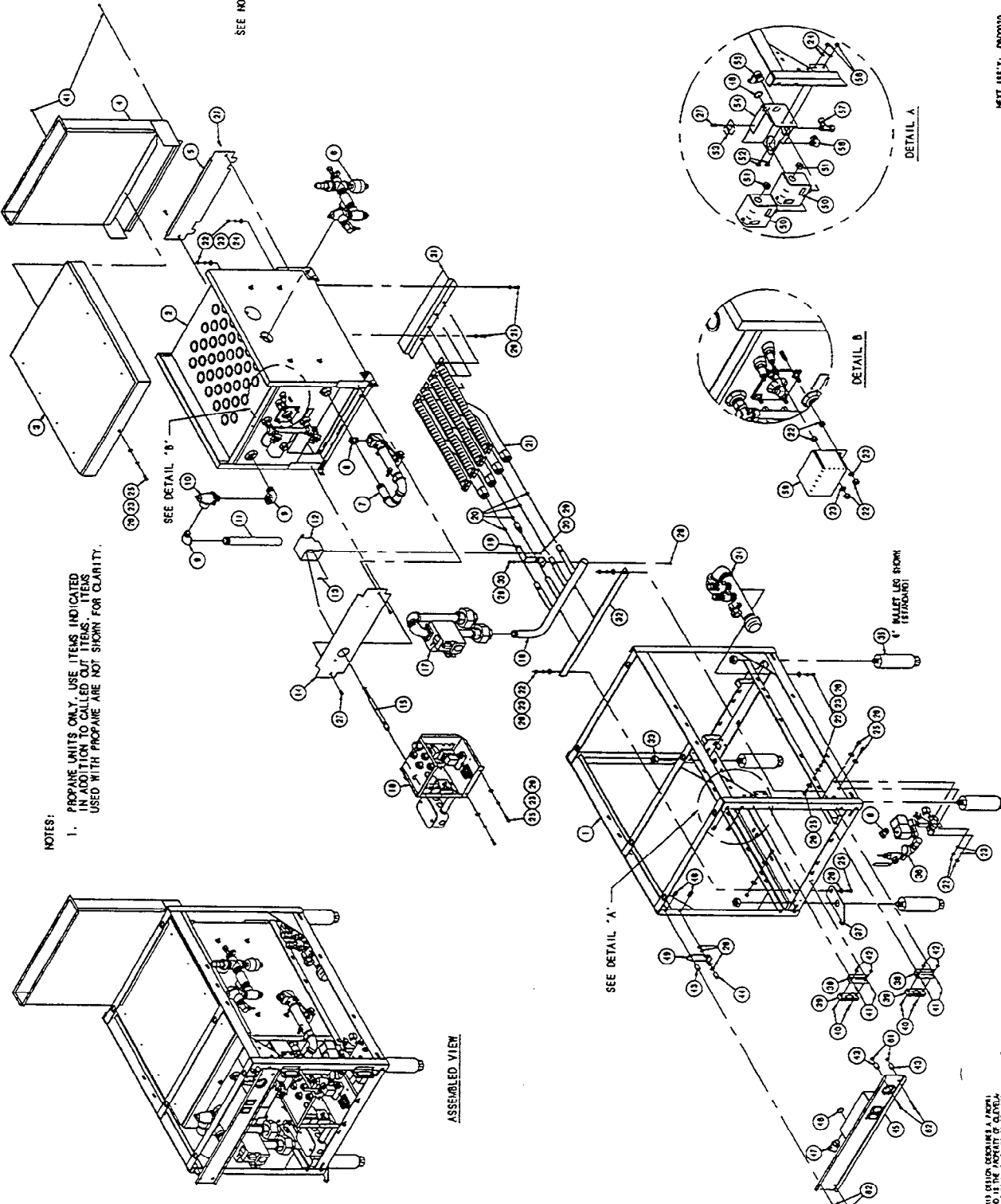
DETAIL "A"
 INSTALL ITEM 9 AS SHOWN
 INSIDE GENERATOR

DETAIL "B"
 SEE DETAIL "C" FOR CAL. CODE OPTION

DETAIL "C"
 LOW WATER CUT-OFF
 CALIFORNIA CODE ONLY

THIS DESIGN DESCRIBES A PROPRIETARY ITEM AND IS THE PROPERTY OF CLEVELAND RANGE. THIS DRAWING IS NOT TO BE COPIED OR USED WITHOUT THE APPROVAL OF CLEVELAND RANGE.

REV.	REVISIONS	DATE BY
A	ADDED PVA 10MM, PVA 2018 BAS	10-20-51/AG
-	071211, PVA 10MM BAS 1104	
-	PRO E.O. 98-2613	



NOTES:
 1. PROPANE UNITS ONLY. USE ITEMS INDICATED IN ADDITION TO CALLED OUT ITEMS. ITEMS USED WITH PROPANE ARE NOT SHOWN FOR CLARITY.

SEE NOTE 1

REF

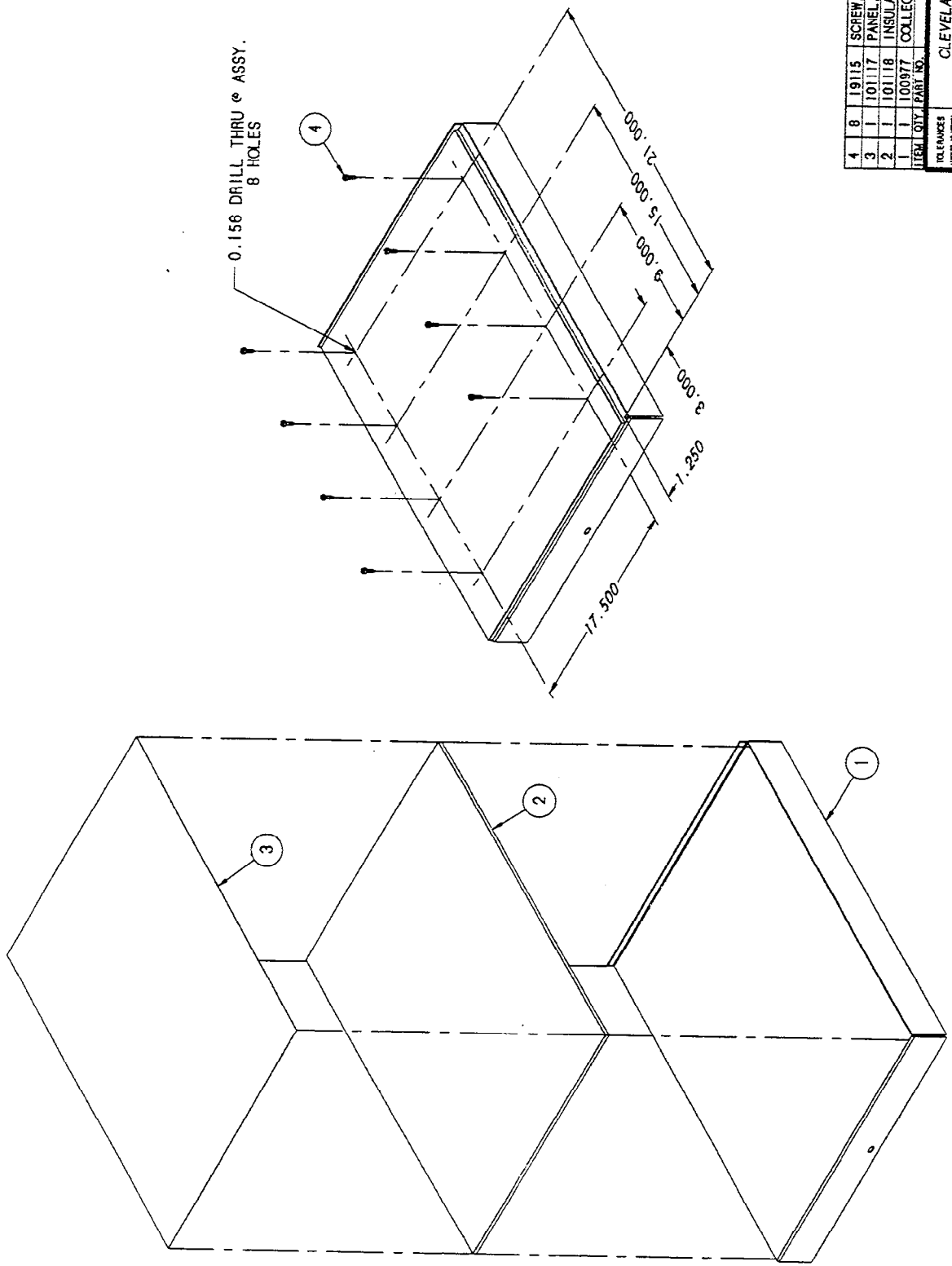
ITEM NO.	DESCRIPTION	QUANTITY	UNIT	REF
1	COVER PLATE	1	PC	
2	COVER PLATE	1	PC	
3	COVER PLATE	1	PC	
4	COVER PLATE	1	PC	
5	COVER PLATE	1	PC	
6	COVER PLATE	1	PC	
7	COVER PLATE	1	PC	
8	COVER PLATE	1	PC	
9	COVER PLATE	1	PC	
10	COVER PLATE	1	PC	
11	COVER PLATE	1	PC	
12	COVER PLATE	1	PC	
13	COVER PLATE	1	PC	
14	COVER PLATE	1	PC	
15	COVER PLATE	1	PC	
16	COVER PLATE	1	PC	
17	COVER PLATE	1	PC	
18	COVER PLATE	1	PC	
19	COVER PLATE	1	PC	
20	COVER PLATE	1	PC	
21	COVER PLATE	1	PC	
22	COVER PLATE	1	PC	
23	COVER PLATE	1	PC	
24	COVER PLATE	1	PC	
25	COVER PLATE	1	PC	
26	COVER PLATE	1	PC	
27	COVER PLATE	1	PC	
28	COVER PLATE	1	PC	
29	COVER PLATE	1	PC	
30	COVER PLATE	1	PC	
31	COVER PLATE	1	PC	
32	COVER PLATE	1	PC	
33	COVER PLATE	1	PC	
34	COVER PLATE	1	PC	
35	COVER PLATE	1	PC	
36	COVER PLATE	1	PC	
37	COVER PLATE	1	PC	
38	COVER PLATE	1	PC	
39	COVER PLATE	1	PC	
40	COVER PLATE	1	PC	

THIS DRAWING REQUIRES A PAPER AND IS THE PROPERTY OF CLEVELAND RANGE INC. IT IS TO BE KEPT IN THE ORIGINAL DRAWING PACKAGE.

NET WT. 181.71; DN00010

CLEVELAND RANGE INC.
 1385 EAST 1713th St. Cleveland, Ohio 44116-2113
 DRAWING NO. D-00010
 DATE 10-20-51
 BASE ASSEMBLY
 100 MM. 1104
 PART NO. 1104
 REV. 1

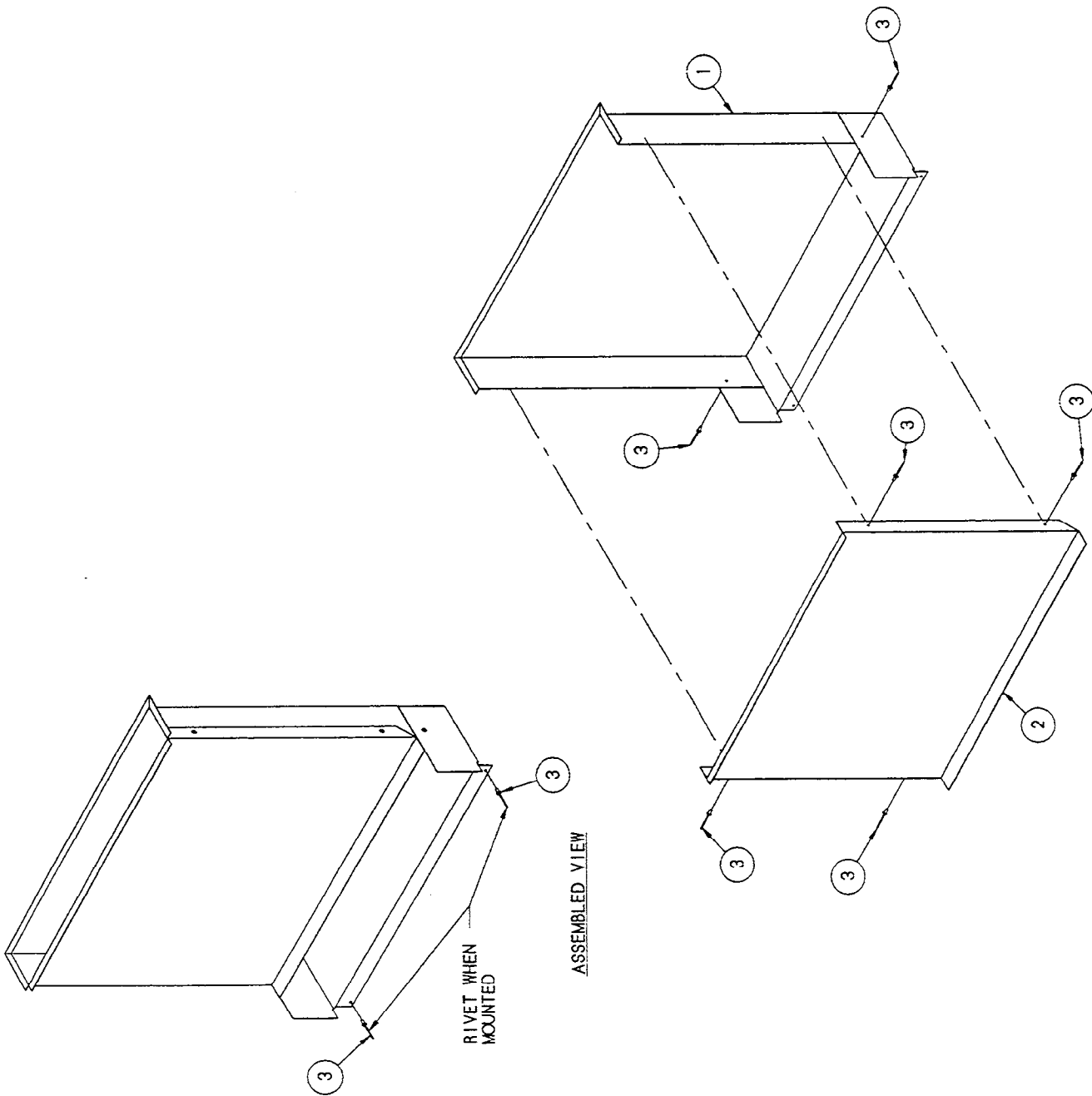
LET.	REVISIONS	DATE	BY
A	ITEM 4, WAS P/N 19287 E.O. C-1580	7-7-89	DP
B	REDRAWN & UPDATED PER B.O.M.	2-07-94	EAC
E.O. # C-2558			



4	8	19115	SCREW, HEX HEAD WASHER
3	1	10117	PANEL, INSULATION, 3/4 BURNER
2	1	10118	INSULATION, 3 & 4 BURNER
1	1	10097	COLLECTOR, TOP FLUE, SM GAS
ITEM QTY PART NO. DESCRIPTION			
TOLERANCES UNLESS SHOWN			
DRAWN BY W. ERBEZHNIK APPROVED BY			
SCALE 1/4"=1" CLEVELAND, OHIO 44110-2174			
TITLE COLLECTOR ASSY, TOP FLUE			
DATE 3-14-87 DRAWING NO. C - 100981			
CK			BY 8

THIS DESIGN DESCRIBES A PROPRIETARY ITEM AND IS THE PROPERTY OF CLEVELAND RANGE. THIS DRAWING IS NOT TO BE COPIED OR USED WITHOUT THE APPROVAL OF CLEVELAND RANGE.

LET. REVISIONS DATE BY



RIVET WHEN MOUNTED

ASSEMBLED VIEW

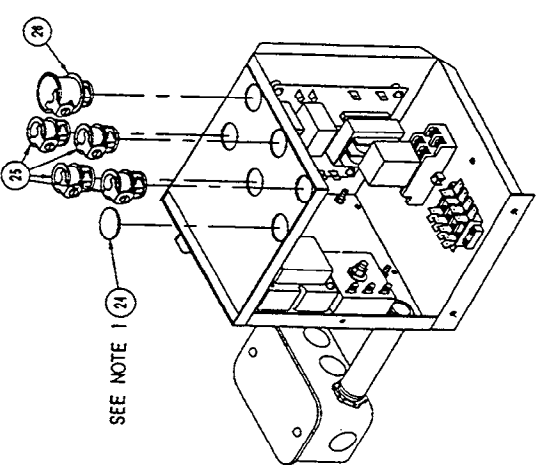
ITEM	QTY	PART NO.	DESCRIPTION
3	8	18957	RIVET, FLUSH BREAK, 1/8" DIA
2	1	101131	PANEL, FRONT, INT FLUE RISER
1	1	101132	PANEL, REAR, INT FLUE RISER

CLEVELAND RANGE, INC.	
1333 East 175th St., Cleveland, Ohio 44110-2374	
SCALE	DRAWN BY E. GRIVY
TOLERANCES UNLESS OTHERWISE SPECIFIED	APPROVED BY
+ N/A	FLUE RISER AS
+ N/A	TERMINAL
DATE 11.00.00	DRAWING NO. C - 101130
REV.	

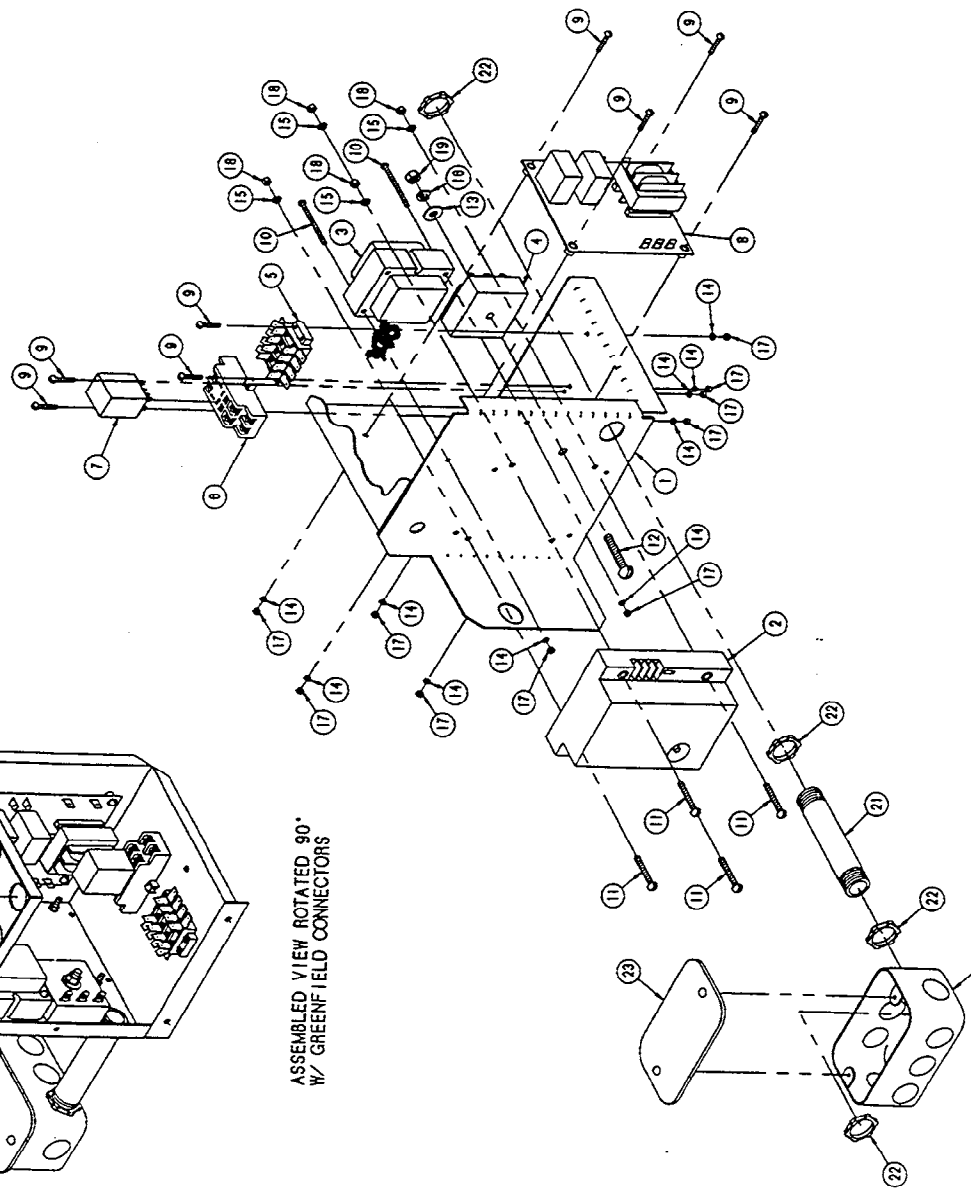
THIS DESIGN DESCRIBES A PROPRIETARY ITEM AND IS THE PROPERTY OF CLEVELAND RANGE. THIS DRAWING IS NOT TO BE COPIED OR USED

LET.	REVISIONS	DATE	BY

NOTES:
 1. REMOVE P/N 19329 WHEN CAL. CODE / LKCO IS USED (SEE B.O.M. FOR APPROPRIATE CONNECTOR).



ASSEMBLED VIEW ROTATED 90°
 W/ GREEN FIELD CONNECTORS



ITEM	QTY.	PART NO.	DESCRIPTION
20	1	105240	CONNECTOR, GREENFIELD, 1/2" SNAP-TITE
25	4	105240	CONNECTOR, GREENFIELD, 3/8" SNAP-TITE
24	1	19329	PLUG, SNAP-IN, 1/2" FOR 7/8" HOLE
23	1	02388	COVER, HAND-BOX
22	4	14614	NUT, LOCK, 1/2", ELECTRICAL
21	1	14334	NIPPLE, 1/2" x 4", BLACK
20	1	02381	BOX, HAND-BOX, ELECTRICAL
19	1	14618	NUT, HEX, 1/4"-20, 5/8", FULL FINISH
18	4	14598	NUT, HEX, 8-32, ZINC PLATED
17	10	14674	NUT, HEX, 8-32, ZINC PLATED
16	1	23105	WASHER, SPLIT LOCK, 1/4", 5/32"
15	4	101337	WASHER, INTERNAL TOOTH LOCK, 10
14	10	23111	WASHER, INTERNAL TOOTH LOCK, 10
13	1	23116	WASHER, FLAT, 1/4" ID x .063 THK
12	1	19265	SCREW, ROUND HEAD SLOTTED, 8-32 x 1.25"
11	8	19150	SCREW, ROUND HEAD SLOTTED, 8-32 x 1.25"
10	4	19149	SCREW, ROUND HEAD SLOTTED, 8-32 x 1.25"
9	2	19163	SCREW, ROUND HEAD SLOTTED, 8-32 x 1.25"
8	1	23198	CONTROL, WATER LEVEL
7	1	03324	RELAY, 120 V., 30/200W, AC, DPDT
6	1	03225	SOCKET, RELAY
5	1	44184	TERMINAL BLOCK ASM. - 4 POLE, GAS UNITS
4	1	20178	TIMER, SOLID STATE INTERNAL, 3 MINUTE
3	1	20258	TRANSFORMER - SPARK IGNITION SUPPLY
2	1	03516	CONTROL, MODULE, DIRECT SPARK IGNITION
1	1	44139	BOX, WELDMENT, ELECTRIC FOR GAS, 2 POLE

TOLERANCES
 (unless noted)
 DECIMAL
 + N/A
 FRACTIONS
 + N/A
 HOLE
 + N/A

SCALE
 3/8"=1"

DRAWN BY
 E. GRIVEAS

APPROVED BY
 [Signature]

TITLE
 BOX, GAS - 2 POLE

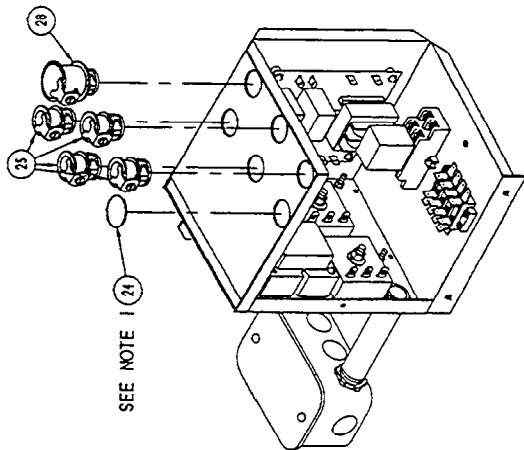
DATE
 2-15-94

DRAWING NO.
 C - 10092901

REV.
 -

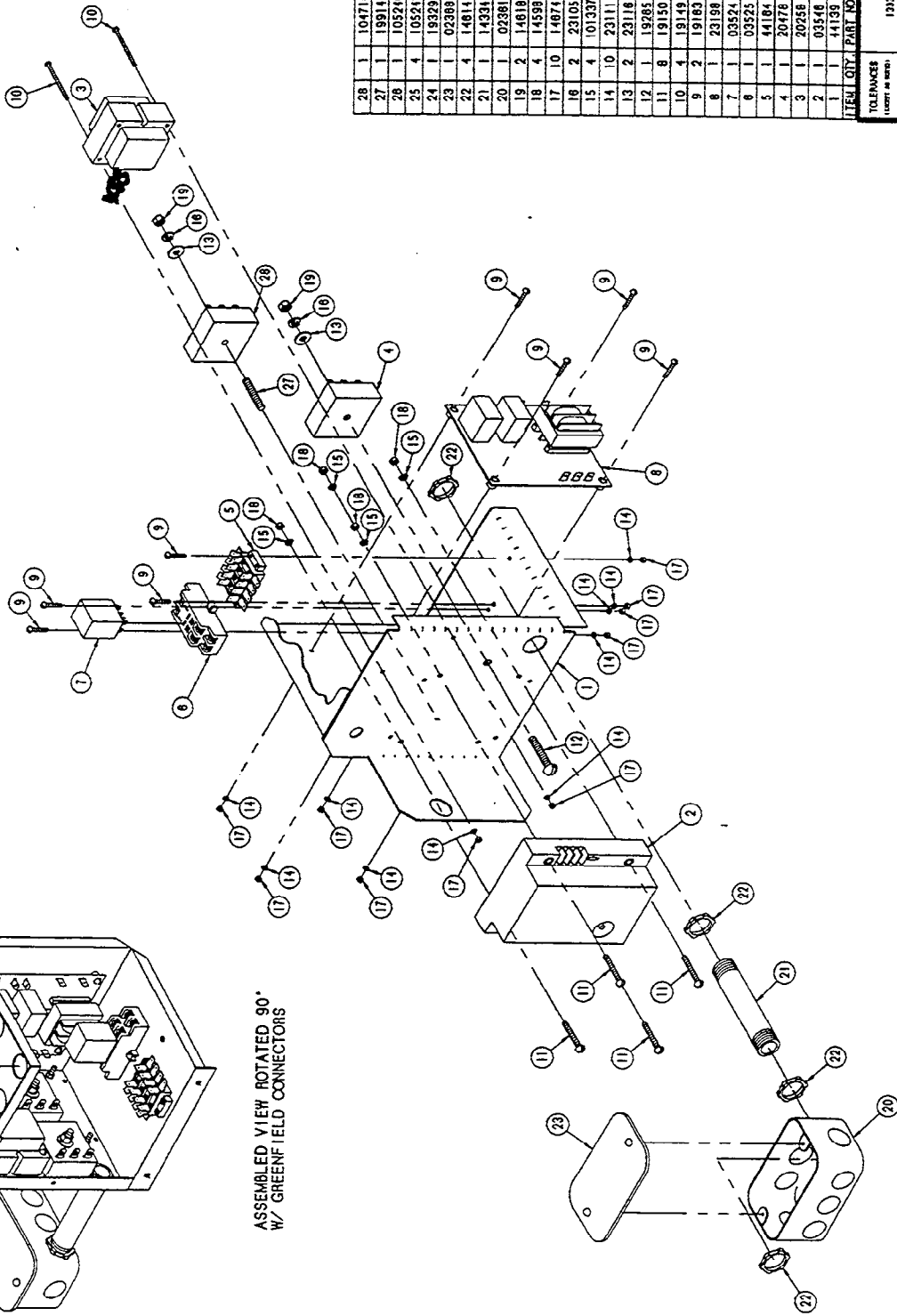
THIS DESIGN DESCRIBES A PROPRIETARY ITEM
 AND IS THE PROPERTY OF CLEVELAND RANGE.
 THIS DRAWING IS NOT TO BE COPIED OR USED
 WITHOUT THE APPROVAL OF CLEVELAND RANGE.

NOTES:
 1. REMOVE P/N 19329 WHEN CAL. CODE / LWCO IS USED (SEE B.O.M. FOR APPROPRIATE CONNECTOR).



SEE NOTE 1 24

ASSEMBLED VIEW ROTATED 90° W/ GREENFIELD CONNECTORS

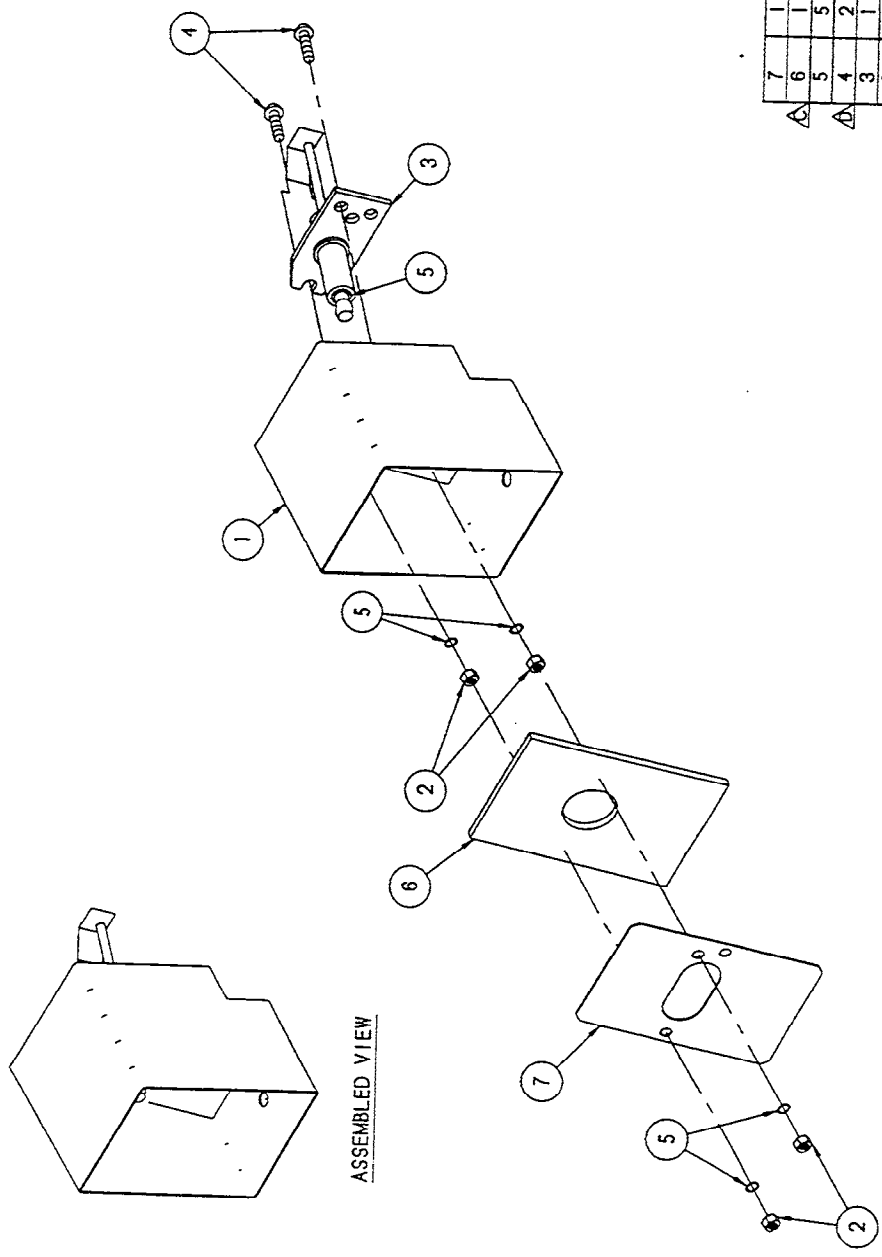


ITEM	QTY.	PART NO.	DESCRIPTION
28	1	104716	TIMER, RECOILING, GENERATOR W/ALUMINUM
27	1	19914	STUD, WELD, SIZE F, 1/4-20 X 1-1/2, S/S
26	1	105246	CONNECTOR, GREENFIELD, 1/2" SHAPTTITE
25	4	105243	CONNECTOR, GREENFIELD, 3/8" SHAPTTITE
24	1	19329	PLUG, SHIP-IN, 1/2" FOR 1/4" HOLE
23	1	02388	COVER, HAND-BOX
22	4	14814	NUT, LOCK, 1/2", ELECTRICAL
21	1	14334	HIPPLE, 1/2" x 1", BLACK
20	1	02381	BOX, HAND-BOX, ELECTRICAL
19	2	14818	NUT, HEX, 1/4-20, S/S, FULL FINISH
18	4	14599	NUT, HEX, 8-32, ZINC PLATED
17	10	14874	NUT, HEX, 8-32, ZINC PLATED
16	2	23105	WASHER, SPLIT LOCK, 1/4", S/S
15	4	101337	WASHER, INTERNAL TOOTH LOCK, 1/8"
14	10	23111	WASHER, INTERNAL TOOTH LOCK, 1/8"
13	2	23116	WASHER, FLAT, 1/4", 10 x .063, THK
12	1	19285	SCREW, ROUND HEAD, 1/4-20 x 1.5", S/S
11	8	19150	SCREW, ROUND HEAD SLOTTED, 8-32 x 1.25"
10	4	19149	SCREW, ROUND HEAD SLOTTED, 8-32 x 1.75"
9	2	19183	SCREW, ROUND HEAD SLOTTED, 8-32 x .75"
8	1	23198	CONTROL, WATER LEVEL
7	1	03524	RELAY, 120 V, 30/200HL, AC, DPDT
6	1	03525	SOCKET, RELAY
5	1	44184	TERMINAL BLOCK, ASM. - 4 POLE, GAS UNITS
4	1	20478	TIMER, SOLID STATE INTERVAL, 3 MINUTE
3	1	20258	TRANSFORMER - SPARK IGNITION SUPPLY
2	1	03540	CONTROL, MEMALE, DIRECT SPARK IGNITION
1	1	44139	BOX, RELEVENT, ELECTRIC FOR GAS, 2 PROBE

CLEVELAND RANGE, INC.
 1233 E. 17th St., Cleveland, OH 44115-2174
 DRAWN BY: E. GRIVELS
 CHECKED BY: [Blank]
 TITLE: BOX, ELECTRIC, AS MAINTENANCE BLOODING
 DATE: 2-15-94
 DRAWING NO.: C - 10092902
 NET WT: [Blank]

THIS DESIGN IS PROPRIETARY ITEM AND IS THE PROPERTY OF CLEVELAND RANGE. THIS DRAWING IS TO BE COPIED OR USED WITHOUT THE APPROVAL OF CLEVELAND RANGE.

LET.	REVISIONS	DATE	BY
A	WAS C-44097	1-24-84	NEAL
B	ITEM 1 WAS C-52823, ECN 1054	3-6-86	DP
C	ADD P/N B-100314 FOR ITEM 6	3-12-88	DP
D	REDRAW WAS C SIZE, P/N 19163 WAS 2-7-94		EAG
	19259, E.O.# C-2558		

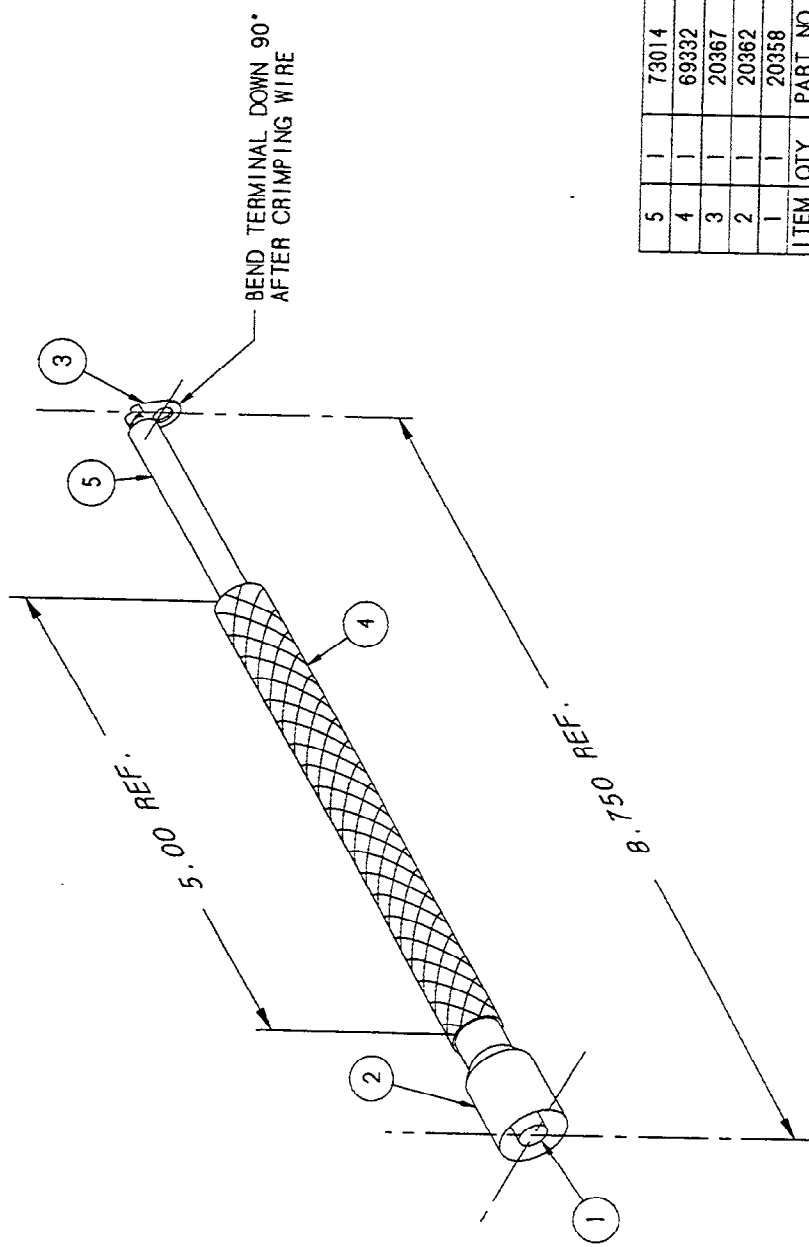


ASSEMBLED VIEW

ITEM	QTY.	PART NO.	DESCRIPTION
7	1	68149	RETAINER, INSULATION
6	1	100314	INSULATION, IGNITOR BOX
5	5	23111	WASHER, LOCK, INTERNAL TOOTH, #6
4	2	19163	SCREW, #8-32 x .75" LG.
3	1	05101	ELECTRODE, COMBINATION IGNITOR/SENSOR
2	1	14674	NUT, #8-32, HEX
1	1	52808	BOX, IGNITOR, GEN. GAS, 2 PROBE

TOLERANCES (EXCEPT AS NOTED)		CLEVELAND RANGE INC.	
1333 East 179th St., Cleveland, Ohio 44110-2574			
DECIMAL	SCALE	DRAWN BY	APPROVED BY
± N/A	5/8=1	E. LAWRENCE	E. HENDESS
ANGULAR	TITLE	BOX ASM, IGNITOR	
± N/A			
CK	DATE	DRAWING NO.	REV.
	12-6-94	B - 44096	D

THIS DESIGN DESCRIBES A PROPRIETARY ITEM AND IS THE PROPERTY OF CLEVELAND RANGE. THIS DRAWING IS NOT TO BE COPIED OR USED WITHOUT THE APPROVAL OF CLEVELAND RANGE.



5	1	73014	WIRE, RADIX, 9" LONG
4	1	69332	SLEEVE, FIBERGLASS 5" INSULATING
3	1	20367	TERMINAL RING-#6, NON-INSULATED
2	1	20362	INSULATOR, RED SILICONE
1	1	20358	TERMINAL, IGNITION CABLE
ITEM	QTY.	PART NO.	DESCRIPTION

TOLERANCES (EXCEPT AS NOTED)

DECIMAL ± N/A

ANGULAR ± N/A

CK

SCALE 1=1

DRAWN BY E. GRIVEAS

APPROVED BY

TITLE CABLE, IGNITION ASSEMBLY

DATE 11-09-93

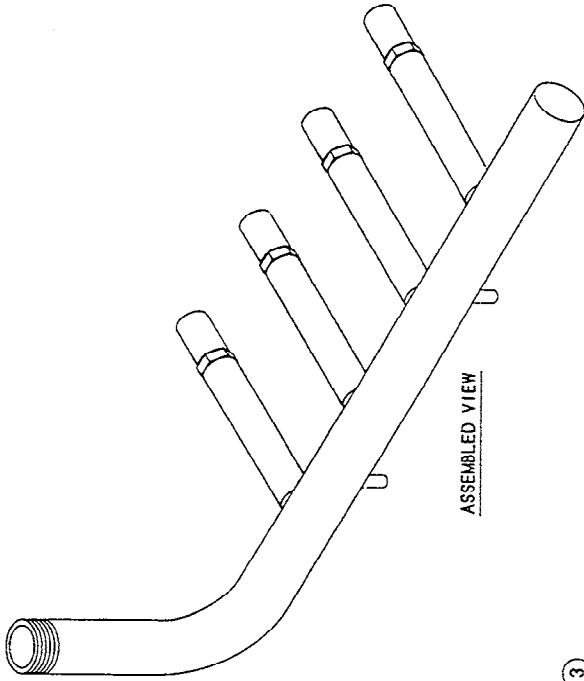
DRAWING NO. B 169

REV.

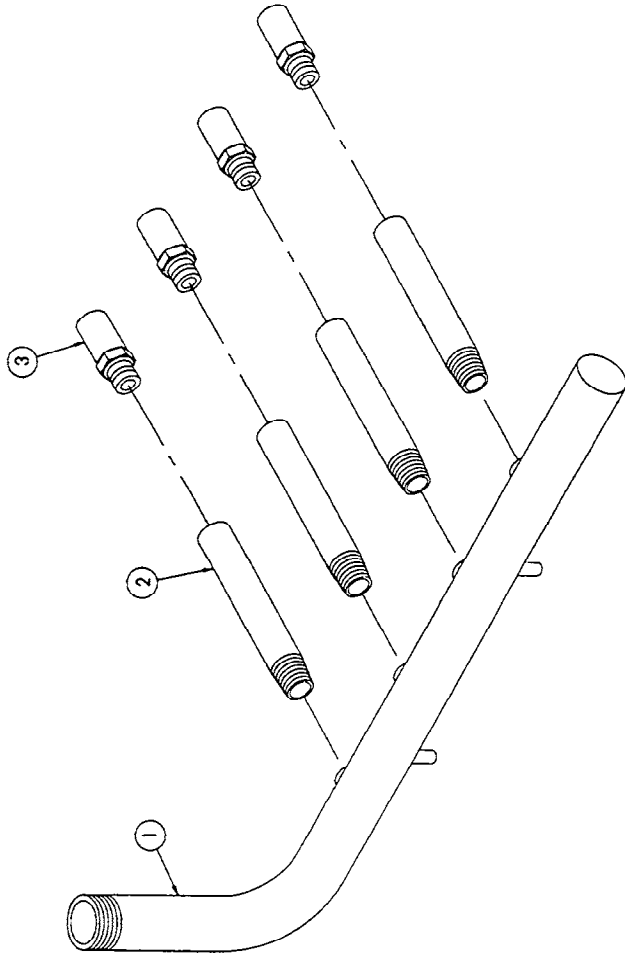
CLEVELAND RANGE INC.
 1333 East 179th St. Cleveland, Ohio 44110-2574

THIS DESIGN DESCRIBES A PROPRIETARY ITEM AND IS THE PROPERTY OF CLEVELAND RANGE. THIS DRAWING IS TO BE COPIED OR USED WITHOUT THE APPROVAL OF CLEVELAND RANGE.

LET. REVISIONS DATE BY



ASSEMBLED VIEW



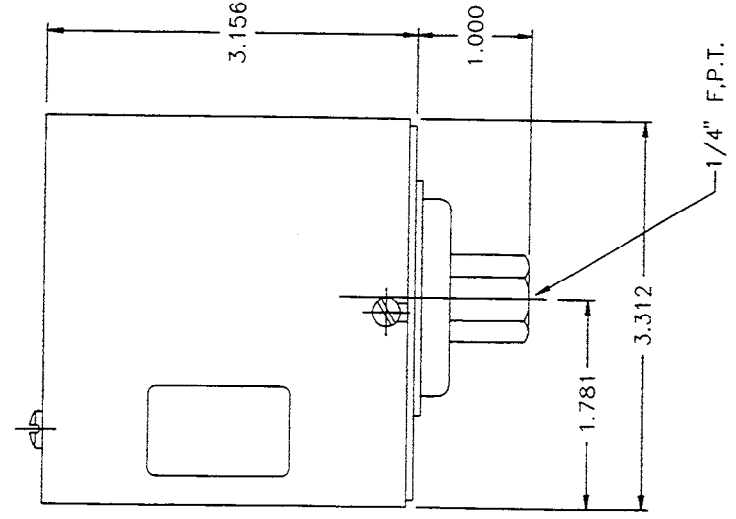
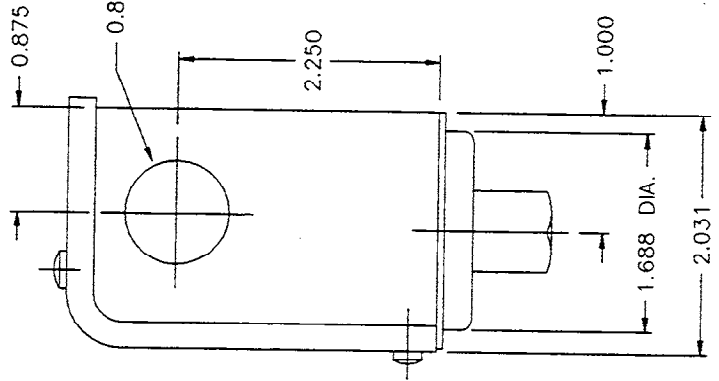
3	4	1.0832	SPIDS ORIFICE HOLDER, 5/8"
2	4	63180	EXTENSION, GAS MANIFOLD
1	1	63172	MANIFOLD, TUBE, 4 BURNER, GAS
ITEM QTY. PART NO. DESCRIPTION			
TOLERANCES (UNLESS OTHERWISE SPECIFIED)			
DECIMAL	± .001	DRAWN BY E. GRIVENS APPROVED BY	
ANGULAR	± .1°	TITLE	
± .1°		MANIFOLD, ASSM, R/B	
± .1°		4 BURNER, GAS, 200 MBTU	
DATE	11-10-93	DRAWING NO. C - 40920	
CK		REV.	

CLEVELAND RANGE, INC.
 1333 EAST 17TH ST. CLEVELAND, OHIO 44116-2174

THIS DESIGN DESCRIBES A PROPRIETARY ITEM
 OF CLEVELAND RANGE. IT IS NOT TO BE REPRODUCED
 OR TRANSMITTED IN ANY FORM OR BY ANY MEANS
 WITHOUT THE APPROVAL OF CLEVELAND RANGE.

LET.	REVISIONS	DATE	BY
A	REVISED ADJ. OPERATING RANGE SPEC.	11-28-84	RUC
-	WAS: 0.5 TO 9 PSI.	-	-
B	WAS: ADDITIVE DIFFERENTIAL	07-07-86	TS
C	WAS: ADJ. DIFFERENTIAL: 1 TO 5 PSI, EO [C-2276]	07-31-92	DNP
D	MODEL NO. WAS PANOMA (SUBRACTIVE DIFFERENTIAL)	10-13-92	NLT
	E.O. #2276R1		

0.875 DIA. FOR 1/2" CONDUIT



SPECIFICATIONS:

PRESSURE ACTUATED HIGH LIMIT SAFETY CONTROL FOR STEAM HEATING BOILERS.
 BREAKS AN ELECTRICAL CIRCUIT ON PRESSURE RISES.
 MAX. OPERATING PRESSURE: 20 PSI
 MAX. AMBIENT TEMPERATURE: 150° F.
 ELECTRICAL RATING: 8.0 F.L.A. AT 120V. AC
 SWITCH: PRESSURE ACTUATED SPST, SNAP-ACTION
 ADJUSTMENT MEANS: OPERATING RANGE SET POINT—SCREW ON TOP OF CASE; DIFFERENTIAL SET POINT—DIAL INSIDE OF CASE.
 ADJUSTABLE OPERATING RANGE: 3 TO 15 PSI.
 ADJUSTABLE DIFFERENTIAL: 1 TO 5 PSI; FACTORY SET AT 1 PSI
 SWITCH ACTION ON PRESSURE FALL: MAKES AT SET POINT MINUS DIFFERENTIAL.
 SWITCH ACTION ON PRESSURE RISE: BREAKS AT SET POINT.
 MOUNTING MEANS: 1/4" FEMALE PIPE THREADS

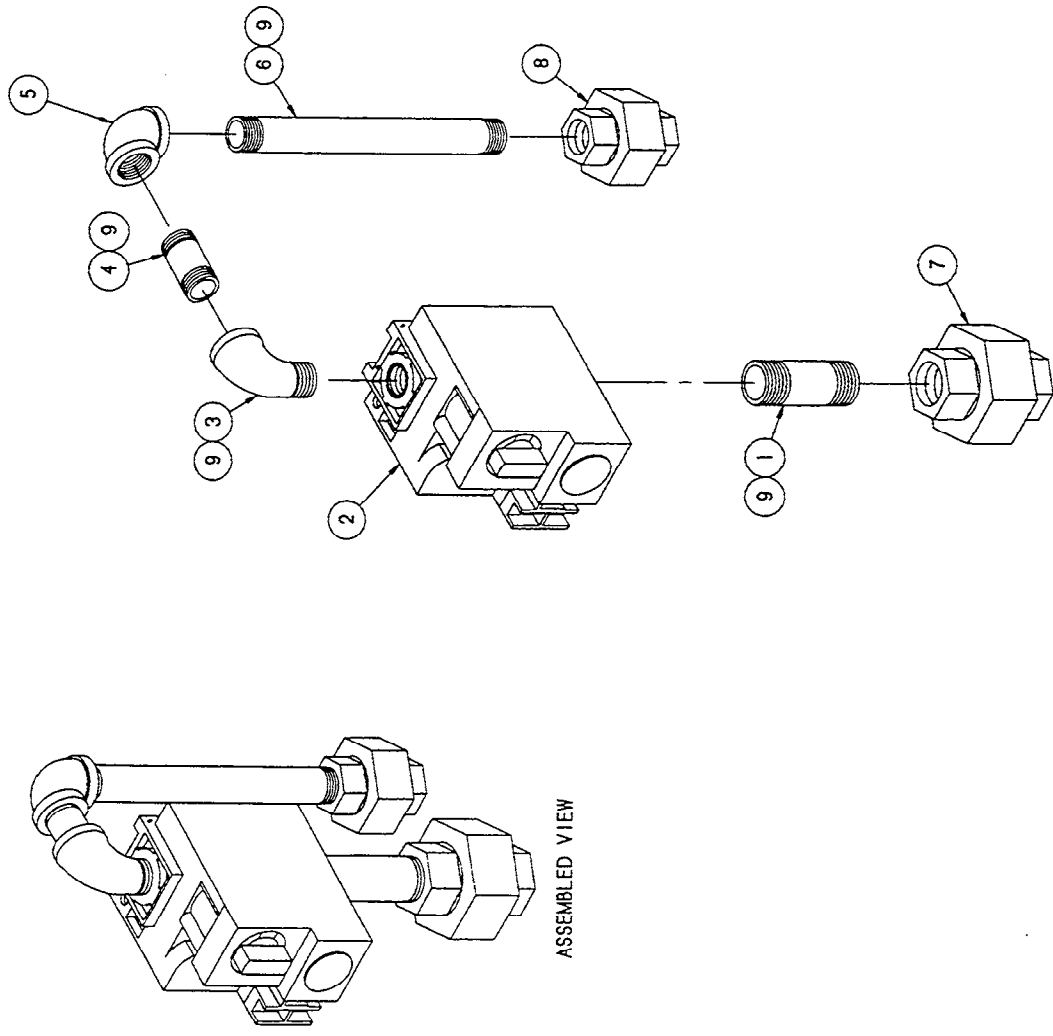
(A)
(B)(C)

APPROVED SOURCE

- HONEYWELL
 MODEL NO. PA404A-1056 (D)
 U.L. FILE NO. MP466
 C.S.A. FILE NO. LR1620

ITEM	QTY	PART NO.	DESCRIPTION
TOLERANCES (EXCEPT AS NOTED)			CLEVELAND RANGE INC. 1335 East 179th St. Cleveland, Ohio 44110-2574
DECIMAL ±	1=1	DRAWN BY RJB	APPROVED BY
ANGULAR ±1°			CONTROL, PRESSURE
AC	DATE 09-08-76	DRAWING NO. B-19947	REV N

LET.	REVISIONS	DATE	BY
------	-----------	------	----



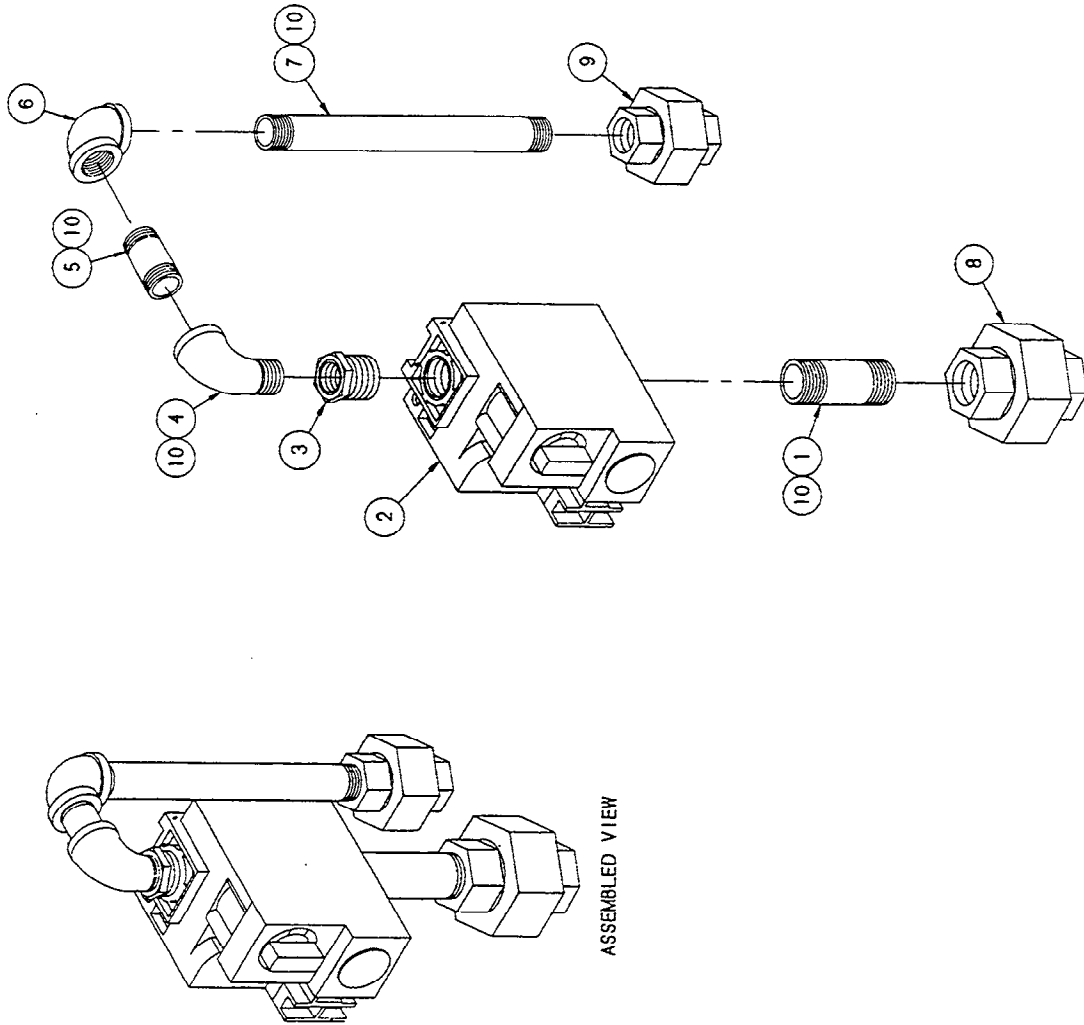
ASSEMBLED VIEW

ITEM	QTY.	PART NO.	DESCRIPTION
9	A/R	00934	SEALANT, RECTORSEAL
8	1	21302	UNION, BLACK, 1/2"
7	1	21305	UNION, 3/4", BLACK
6	1	14340	NIPPLE, 1/2" x 7.5" LG., BLACK
5	1	05249	ELBOW, 1/2", 90", BLACK
4	1	14325	NIPPLE, 1/2" x 1-1/2", BLACK
3	1	05252	ELBOW, STREET, 90", 1/2", BLACK
2	1	22228	VALVE, GAS CONTROL, NATURAL GAS
1	1	14345	NIPPLE, 3/4" x 2-1/2", BLACK

TOLERANCES (EXCEPT AS NOTED)		CLEVELAND RANGE INC. 1333 East 179th St. Cleveland, Ohio 44110-2574	
DECIMAL ± N/A	SCALE 3/8=1	DRAWN BY E. GRIVEAS	APPROVED BY NLT
ANGULAR ± N/A	TITLE VALVE ASSEMBLY, NATURAL GAS- 100/200 BTU		
CK	DATE 11-08-93	DRAWING NO. B - 43663	REV. -

THIS DESIGN DESCRIBES A PROPRIETARY ITEM AND IS THE PROPERTY OF CLEVELAND RANGE. THIS DRAWING IS NOT TO BE COPIED OR USED WITHOUT THE APPROVAL OF CLEVELAND RANGE.

LET. REVISIONS DATE BY

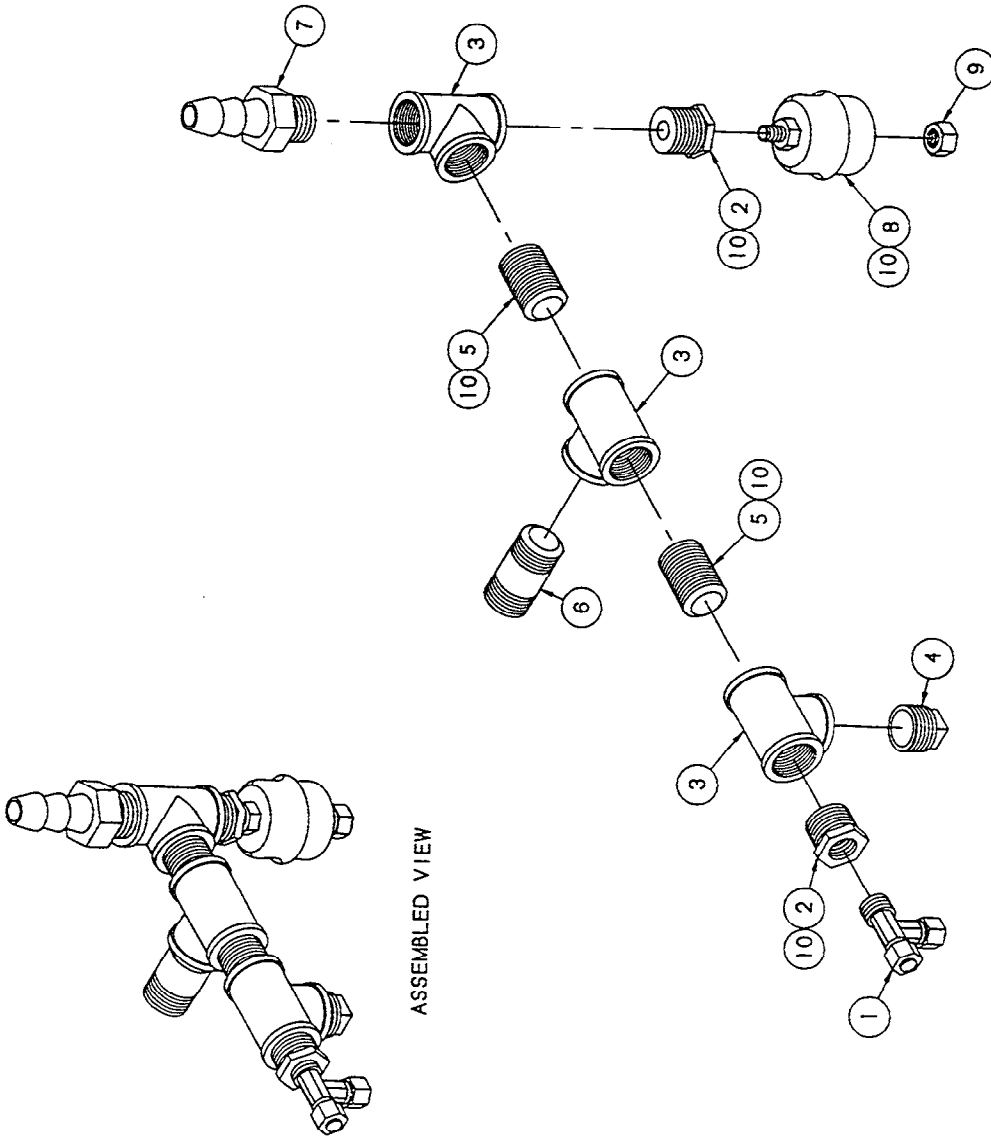


ASSEMBLED VIEW

ITEM	QTY.	PART NO.	DESCRIPTION
10	A/R	00934	SEALANT, RECTORSEAL
9	1	21302	UNION, BLACK, 1/2"
8	1	21305	UNION, 3/4", BLACK
7	1	14340	NIPPLE, 1/2" x 7.5" LG., BLACK
6	1	05249	ELBOW, 1/2", 90°, BLACK
5	1	14325	NIPPLE, 1/2" x 1-1/2", BLACK
4	1	05252	ELBOW, STREET, 90°, 1/2", BLACK
3	1	02565	BUSHING, HEX, 3/4 X 1/2, BLACK
2	1	22231	VALVE, GAS CONTROL, FOR LP
1	1	14345	NIPPLE, 3/4" x 2-1/2", BLACK

TOLERANCES (EXCEPT AS NOTED)		CLEVELAND RANGE INC.	
1333 East 179th St. Cleveland, Ohio 44110-2574		SCALE	APPROVED BY
DECIMAL	± N/A	3/8=1	E. GRIVEAS
ANGULAR	± N/A	TITLE	NLT
CK	11-08-93	DATE	DRAWING NO.
	B - 436		REV. -

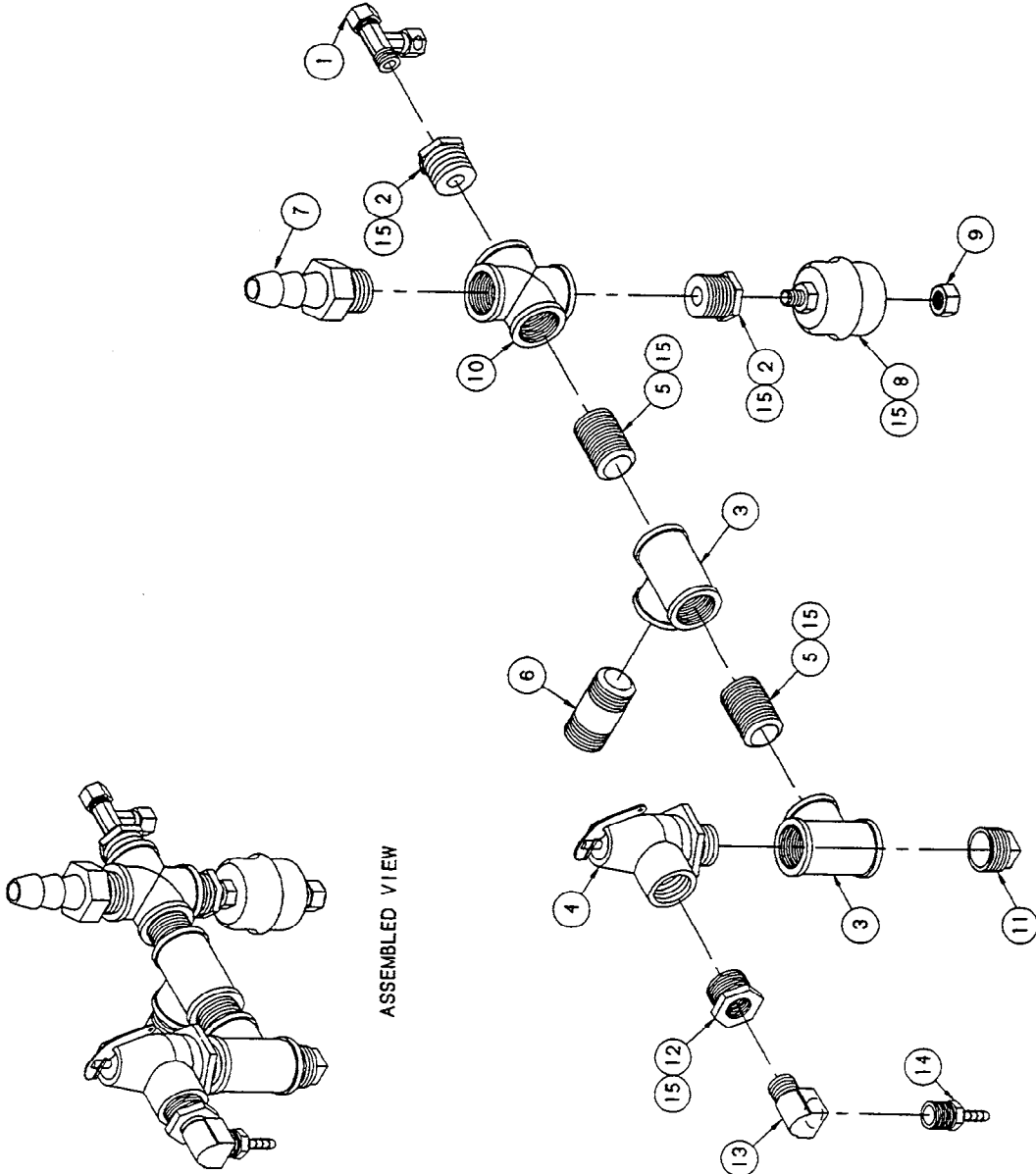
THIS DESIGN DESCRIBES A PROPRIETARY ITEM AND IS THE PROPERTY OF CLEVELAND RANGE. THIS DRAWING IS NOT TO BE COPIED OR USED WITHOUT THE WRITTEN CONSENT OF CLEVELAND RANGE.



ASSEMBLED VIEW

10	A/R	00934	SEALANT, RECTORSEAL
9		14681	NUT, COMPRESSION, 1/4 TUBE, BRASS
8		101207	TRAP, THERMOSTATIC, 1/4" X 1/4"
7		08240	FITTING, HOSE BARB 3/4 HOSE X 3/4 IPT BRASS
6		14431	NIPPLE, 3/4 X 2, BRASS
5		14342	NIPPLE, 3/4 X CLOSE, BRASS
4		18607	PLUG, SQUARE HEAD, 3/4, BRASS
3		20208	TEE, 3/4 BRASS
2		02569	BUSHING, REDUCING, 3/4 X 1/4, BRASS
1		100883	FITTING, COUPR. TEE 3/8T X 3/8IPT X 3/8T
	ITEM QTY.		PART NO.
DESCRIPTION			
CLEVELAND RANGE, INC.			
1333 East 179th St., Cleveland, Ohio 44110-2574			
TOLERANCES (EXCEPT AS NOTED)		SCALE 1/2"=1"	
DECIMAL	± N/A	DRAWN BY	E. GRIVEAS
ANGULAR	± N/A	TITLE	STEAM OUTLET ASSEMBLY
CK		DATE	10-07-93
		APPROVED BY	M.T.
			REV. BEND GENERATOR (REV. 2)
		DRAWING NO.	C - 428122
		REV.	

THIS DESIGN DESCRIBES A PROPRIETARY ITEM AND IS THE PROPERTY OF CLEVELAND RANGE. THIS DRAWING IS NOT TO BE COPIED OR USED WITHOUT THE APPROVAL OF CLEVELAND RANGE.



ASSEMBLED VIEW

ITEM	QTY.	PART NO.	DESCRIPTION
15	A/A	00934	SEALANT, RECTORSEAL
14	1	104382	FITTING, HOSE BARB, 1/4" H X 3/8" MPT
13	1	05280	ELBOW, STREET, 3/8" BRASS
12	1	02575	BUSHING, REDUCING, 3/4" X 3/8", BRASS
11	1	16607	PLUG, SQUARE HEAD, 3/4", BRASS
10	1	03732	CROSS, 4-WAY 3/4" BRASS
9	1	14661	M/T, THERMOSTATIC, 1/4" TUBE, BRASS
8	1	101207	TRAP, THERMOSTATIC, 1/4" X 1/4"
7	1	06240	FITTING, HOSE BARB 3/4 HOSE X 3/4 MPT BRASS
6	1	14431	NIPPLE, 3/4 X 2, BRASS
5	1	14342	NIPPLE, 3/4 X CLOSE, BRASS
4	1	101035	VALVE, SAFETY, 3/4", 12 PSI
3	2	20206	TEE, 3/4 BRASS
2	2	02363	BUSHING, REDUCING, 3/4 X 1/4, BRASS
1	1	100883	FITTING, COMP. TEE 3/8T X 1/4MPT X 3/8T

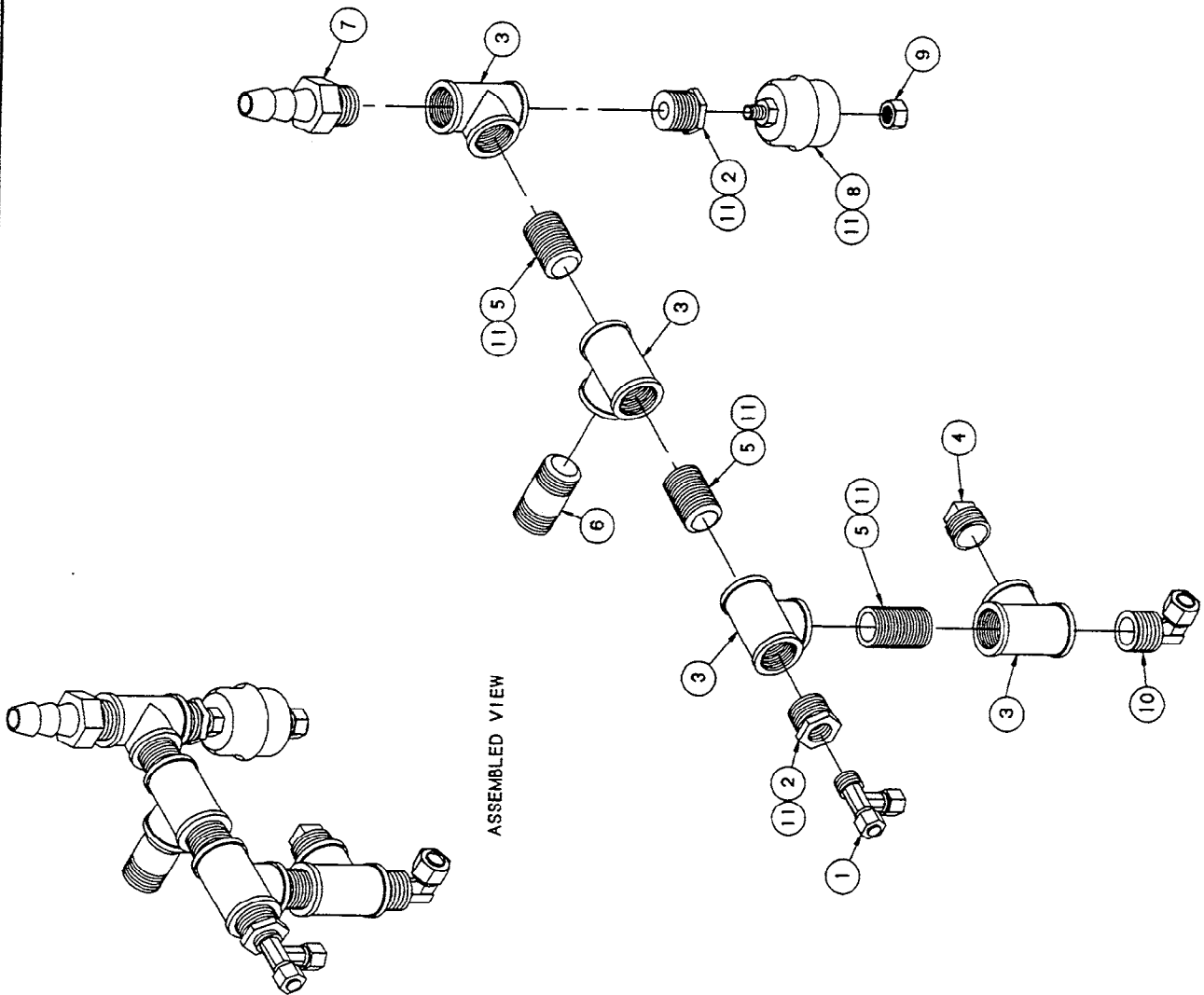
TOLERANCES UNLESS OTHERWISE SPECIFIED	
DECIMAL	± N/A
ANGULAR	± N/A
DATE	1-21-94
DRAWING NO.	C - 125
REV.	-

CLEVELAND RANGE INC.
 1333 East 179th St. Cleveland, Ohio 44110-2574

SCALE: 1/2"=1" DRAWN BY: EAG APPROVED BY: DLD

TITLE: STEAM OUTLET ASSEMBLY
 SM GAS, 600MM

LET. REVISIONS DATE BY



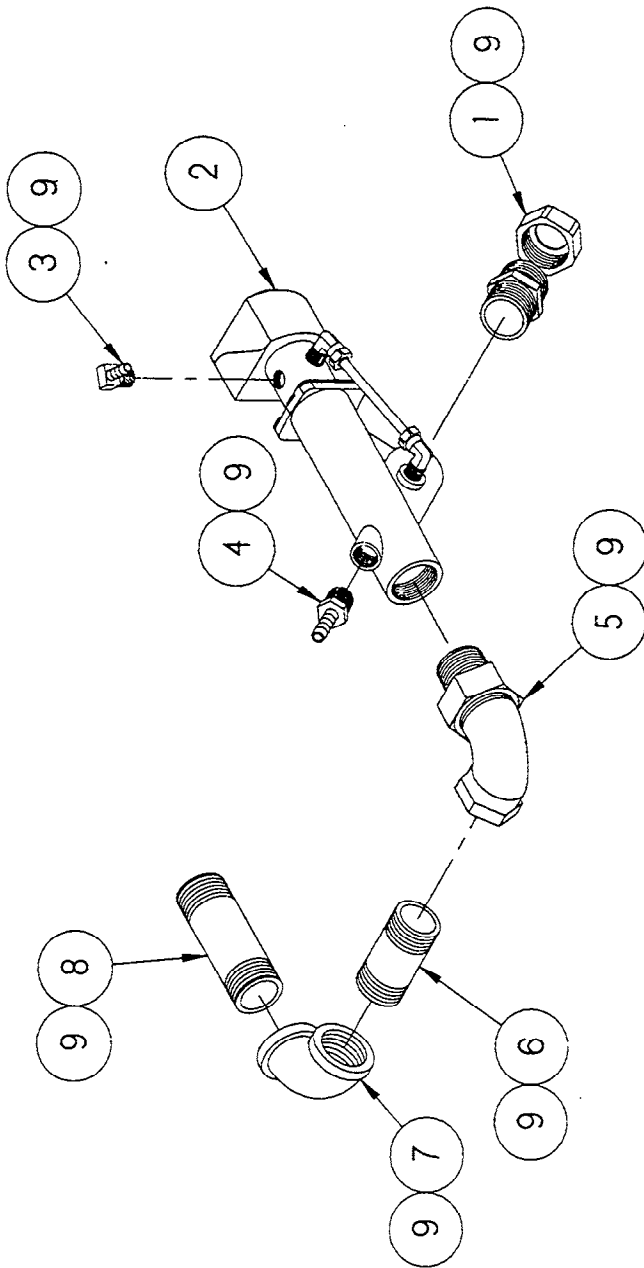
ITEM	QTY	PART NO.	DESCRIPTION
11	1	00934	SEALANT, RECTORSAL
10	1	00187	FITTING, COMP., 90 DEG. 1/2" X 3/4" MPT
9	1	14681	NUT, COMPRESSION, 1/4" TUBE, BRASS
8	1	101207	TRAP, THERMOSTATIC, 1/4" X 1/4"
7	1	00240	FITTING, HOSE BARB 3/4" HOSE X 3/4" MPT BRASS
6	1	14431	NIPPLE, 3/4" X 2", BRASS
5	3	14342	NIPPLE, 3/4" X CLOSE, BRASS
4	1	18807	PLUG, SQUARE HEAD, 3/4", BRASS
3	4	20208	TEE, 3/4" BRASS
2	2	02569	BUSHING, REDUCING, 3/4" X 1/4", BRASS
1	1	100893	FITTING, COMP., TEE 3/8" X 3/8" MPT X 3/8"

TOLERANCES (unless as noted)	
DECIMAL	± 0.005
ANGULAR	± 0.010

SCALE	1/2" = 1"	DRAWN BY	D. DOOSON	APPROVED BY	N.T.
TITLE STEAM OUTLET ASSY., 4236W/1200GM					
REV. BEND GENERATOR					
DATE	2-03-94	DRAWING NO.	C - 428126	REV.	-

THIS DESIGN DESCRIBES A PROPRIETARY ITEM AND IS THE PROPERTY OF CLEVELAND RANGE. THIS DRAWING IS NOT TO BE COPIED OR USED WITHOUT THE APPROVAL OF CLEVELAND RANGE.

NOTES:
1. PARTS MUST BE ROTATED TO ILLUSTRATED ANGLES.



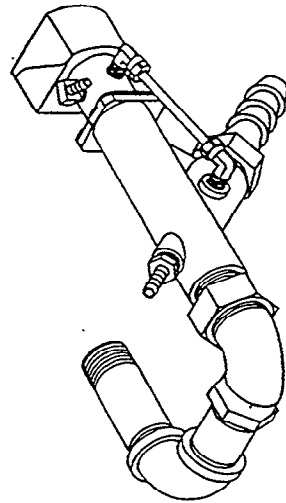
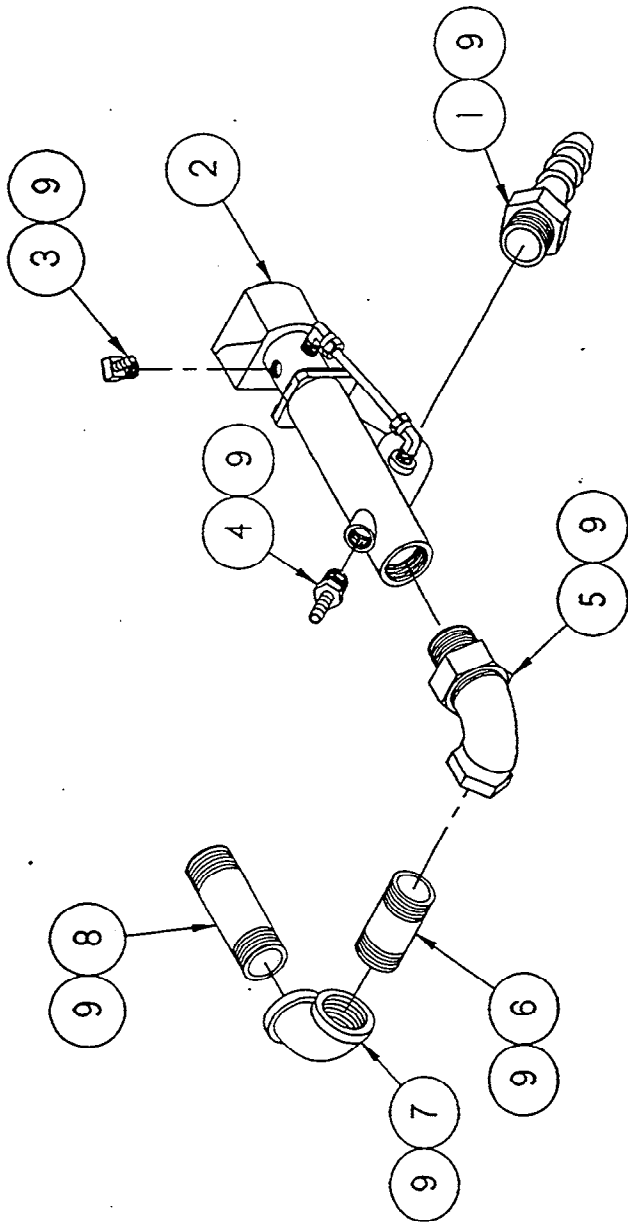
LET	REVISONS	DATE	BY
A	P/N 20208 WAS 20219. ED 42075	11-12-91	SM
B	ROTATED P/N 22221 & ADDED NOTE 1	04-18-92	SM
C	P/N 06208 WAS 06207, P/N 22244 WAS 22221, P/N 104381 WAS 08216, P/N 11495 WAS 14490, P/N 05280 WAS 05281, P/N 105787 ADDED, P/Ns 03777, 20208 & 14321 OMITTED REF E.O. 14176	06-18-93	PJD

QTY.	PART NO.	DESCRIPTION
1	00934	SEALANT, RECTORSEAL
1	14495	NIPPLE, 3/4" NPT X 3, S/S
1	05280	ELBOW, 3/4" X 3/4", 90°
1	14431	NIPPLE, 3/4" X 2, BRASS
1	05283	ELBOW, RADIATOR, 3/4" X 90°
1	104381	FITTING, HOSE BARB, 1/4" H X 1/4" NPT
1	105787	FITTING, HOSE BARB, 1/4" H X 1/8" NPT 90°
1	22244	VALVE, SOLENOID, 1/2", 15 PSI
1	06208	COMP., FITTING, 3/4" x 3/4" NPT, ST.

CLEVELAND RANGE INC.	
1333 East 179th St., Cleveland, Ohio 44110-2574	
SCALE	DRAWN BY S. MILEWSKI
DECIMAL	APPROVED BY DJP
ANGULAR	TITLE PIPING ASSEMBLY, BLOWDOWN
CK	DATE 7-18-91
	DRAWING NO. C 11
	REV. C

THIS DESIGN DESCRIBES A PROPRIETARY ITEM AND IS THE PROPERTY OF CLEVELAND RANGE. ITS DRAWING IS NOT TO BE COPIED OR USED WITHOUT THE APPROVAL OF CLEVELAND RANGE.

LET	REVISIONS	DATE	BY
A	P/W 20200 WAS 20149, ED #2015	11-13-91	SH
B	ROTATED P/W 02277 & ADDED NOTE 1	04-18-92	SH
C	P/W 08210 WAS 08211, P/W 22214 WAS 22211 P/W 104281 WAS 08218, P/W 03290 WAS 03291 P/W 14185 WAS 14190, P/W 103147 ADDED AND P/W'S 02277, 20200 & 14321 OMITTED PER E.O. 12812	08-18-93	PJD



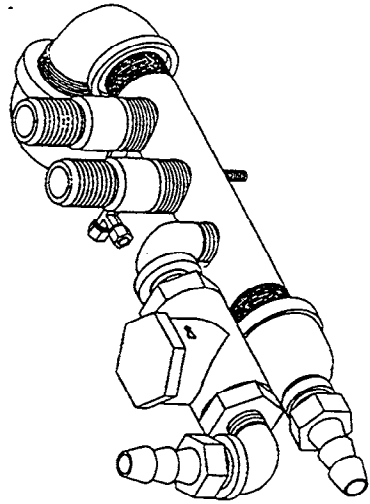
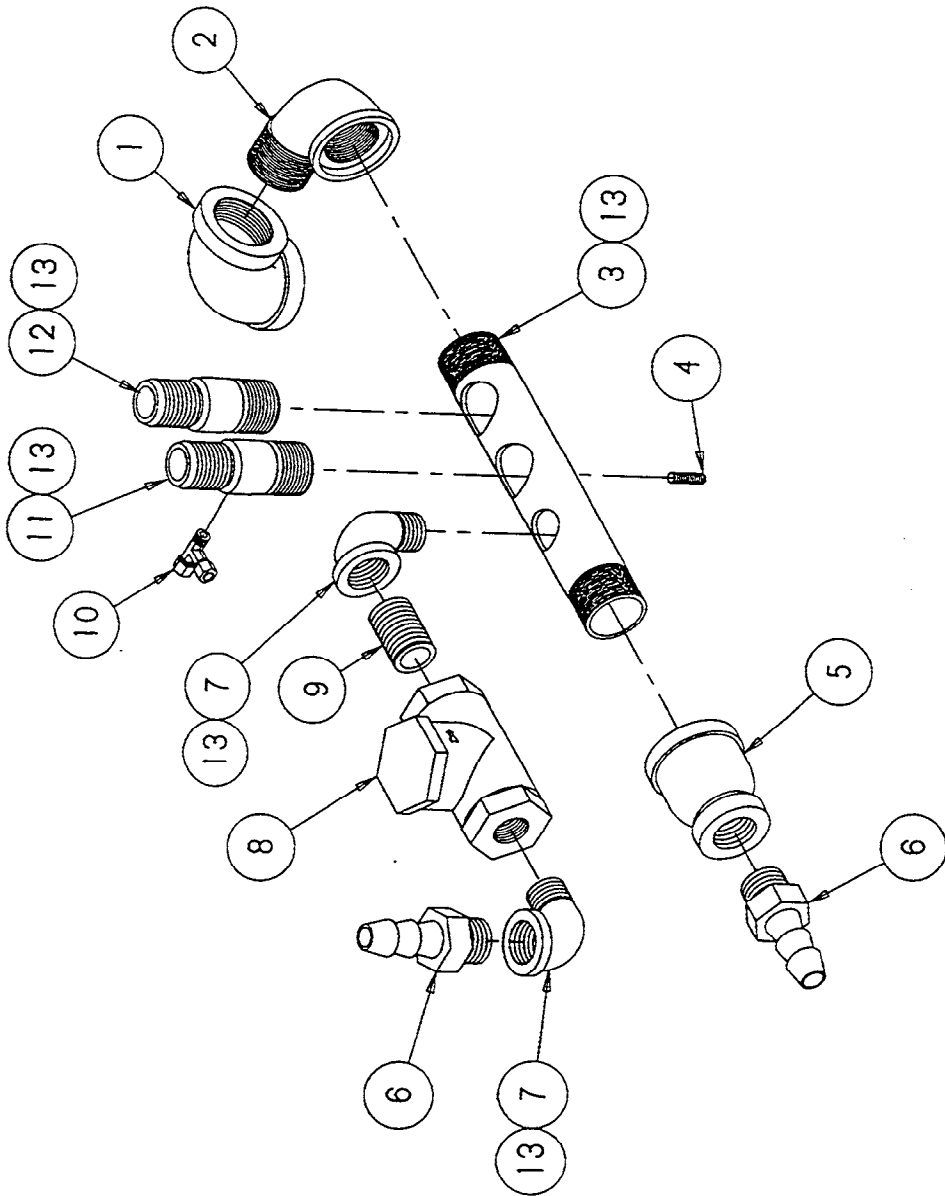
NO.	QTY.	PART NO.	DESCRIPTION
9	1	00931	SEALANT, RECTORSAL
9	1	14195	NIPPLE, 3/4" IPT X 3, 1/2"
7	1	02280	ELBOW, 3/4" X 3/4, 90°
6	1	14191	NIPPLE, 3/4" X 2, BRASS
5	1	02283	BLACK RADIAION, 3/4" X 90°
4	1	104381	FITTING, HOSE BUBB, 1/4" X 1/4 IPT
3	1	103147	FITTING, HOSE BARB, 1/4" X 1/4 IPT 90°
2	1	22214	VALVE, SOLIDROD, 1/2", 15 PSI
1	1	08210	FITTING, HOSE BUBB, 3/4" X 3/4 IPT

CLEVELAND RANGE INC.	
1328 East 179th St. Cleveland, Ohio 44110-2374	
SCALE	DRAWN BY
1" = 4"	S. HILLEBRICH
TITLE	APPROVED BY
PIPING ASSEMBLY, BLOWDOWN	DJP
DATE	DRAWING NO.
11-07-91	C - 408111
REV.	C

NOTES:
1. ROTATE TOWARDS S/S NIPPLE ABOUT 45°
FOR SMALL GAS PRESSURES (1.1).

THIS DESIGN DESCRIBES A PROPRIETARY ITEM
AND IS THE PROPERTY OF CLEVELAND RANGE.
THIS DRAWING IS NOT TO BE REPRODUCED OR USED
WITHOUT THE APPROVAL OF CLEVELAND RANGE.

LET	REVISIONS	DATE	BY
-	PRODUCTION RELEASE E.O. #C-2008	09-10-91	PJD
A	P/N 05259 WAS QTY. OF 2 E.O. #C-2048	10-11-91	PJD
B	P/N 105541 WAS P/N 20249 E.O. #C-2134 R1	03-11-92	PJD
C	P/N 05259 WAS QTY. OF 3, P/N 105541 OMITTED, P/N 08240 WAS QTY. OF 3 PER E.O. #C-2448	07-21-93	PJD



NO.	QTY.	PART NO.	DESCRIPTION
13	1	00924	SEALANT, RECTORSEAL
12	1	14481	FITTING, BARB 1" HOSE X 1" NPT 5/8
11	1	368191	FITTING, HOSE - DRAIN MANIFOLD WITH 1/4" HOLE
10	1	101994	TEE, MALE RUN 1/4" T X 1/4" T X 1/8"
9	1	14343	NIPPLE, CLOSE, 3/4", BLACK
8	1	22119	VALVE, SHING CHECK, 3/4"
7	2	05259	ELBOW, STREET, 90°, 3/4", BLACK
6	2	08240	FITTING, HOSE BARB 3/4" HOSE X 3/4" NPT
5	1	03818	COUPLING, RED, 1-1/2 - 3/4" BLACK
4	1	19917	STUD, WELD, 1/4-20 X .875 5/8
3	1	13252	MANIFOLD, DRAIN 1-1/2 HPT BLACK
2	1	05292	ELBOW, STREET 1-1/2 HPT X 90° BLACK
1	1	05238	ELBOW, 1-1/2 HPT X 90° BLACK

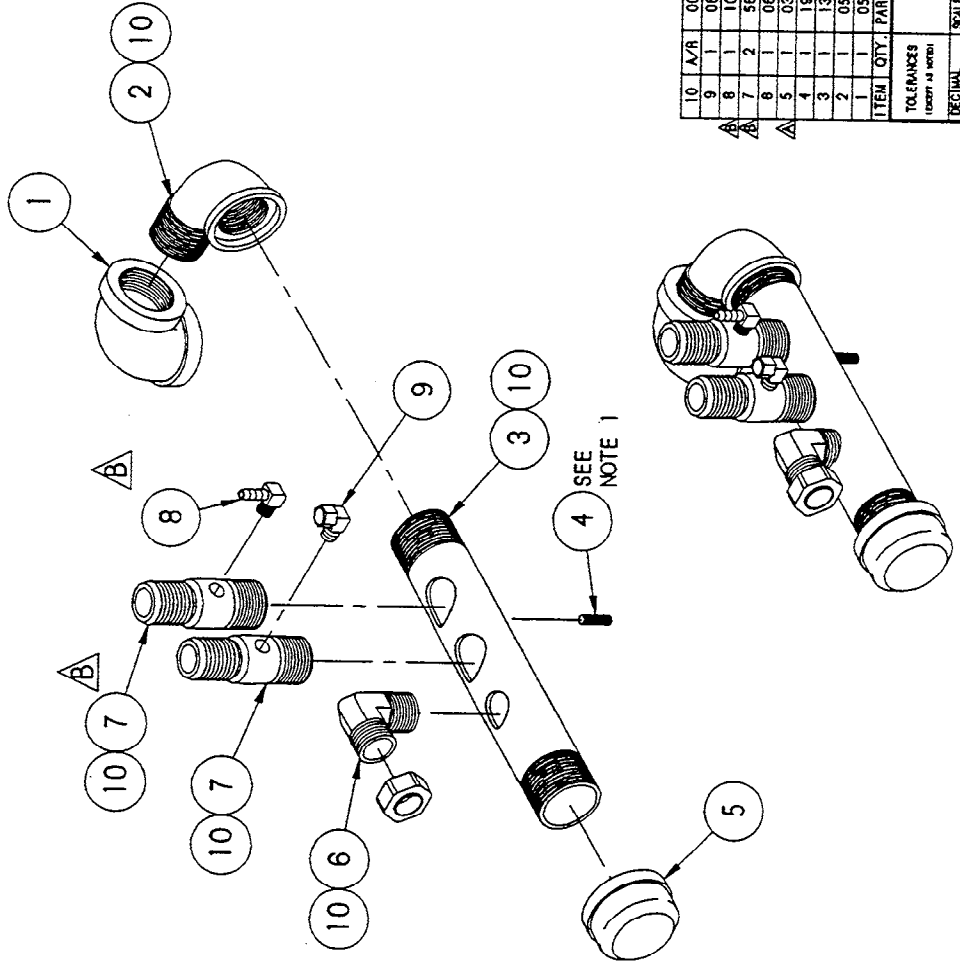
CLEVELAND RANGE INC. 1932 East 179th St. Cleveland, OH 44110-2374	
SCALE	1/2"
DRAWN BY	P.J.D.
APPROVED BY	D.S.
TITLE	DRAIN MANIFOLD ASSEMBLY
ANGULAR	42CKGM/SM 42CKGM/LG.
DATE	09-10-91
DRAWING NO.	C-104873
REV.	C

THIS DESIGN DESCRIBES A PROPRIETARY ITEM AND IS THE PROPERTY OF CLEVELAND RANGE. THIS DRAWING IS NOT TO BE REPRODUCED OR USED WITHOUT THE APPROVAL OF CLEVELAND RANGE.

ASSEMBLED UNIT

LET.	REVISIONS	DATE	BY
A	P/Ns 08918 & 08208 OMITTED AND P/N 03058 ADDED PER E.O. 12812	06-21-93	RD
B	P/N 585191 WAS P/N 14481, ADDED P/N 105787 & NOTES PER E.O.C-2554	1-25-94	EJG

NOTE:
1. REFER TO DRAWING 280AHV FOR STUD LOCATION INSTRUCTIONS.

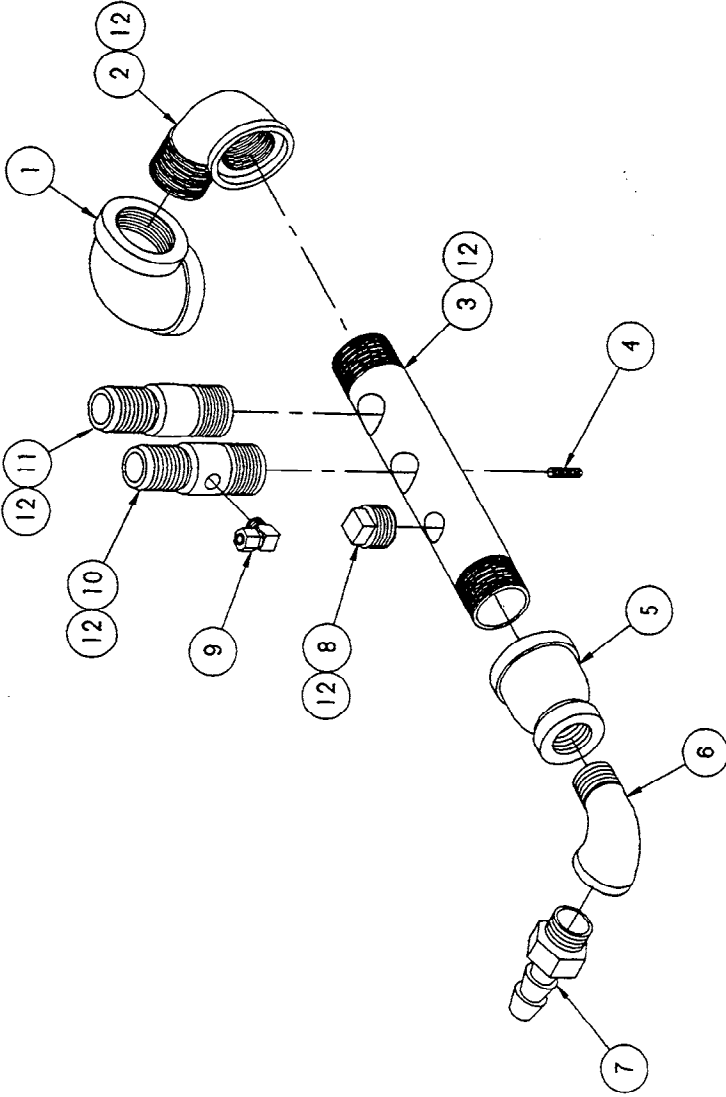


ITEM	QTY.	PART NO.	DESCRIPTION
10	1	00934	SEALANT, RECTORSEAL
9	1	08192	FITTING, COMP. 1/4" X 1/8" NPT 90°
8	1	105787	FITTING, HOSE DRAIN 90° 1/8" NPT X 1/4" H
7	2	585191	FITTING, HOSE DRAIN MANIFOLD W/ 1/8" HOLE
6	1	08209	FITTING, COMP. 3/4" X 3/4" NPT, 90°
5	1	03058	CAP, PIPE, 1-1/2" MALLEABLE IRON
4	1	19917	STD. WELD 1/4"-20 X 1/8" S/S
3	1	13952	MANIFOLD, DRAIN 1-1/2" NPT, BLACK
2	1	05292	ELBOW, STREET, 1-1/2" NPT X 90°, BLACK
1	1	05238	ELBOW, 1-1/2" NPT X 90°, BLACK
TOLERANCES (unless otherwise noted)			
DECIMAL	± 0.005" - 1"		
ANGULAR	± 0.005" - 1"		
CK	DATE 10-01-91 REV. B		

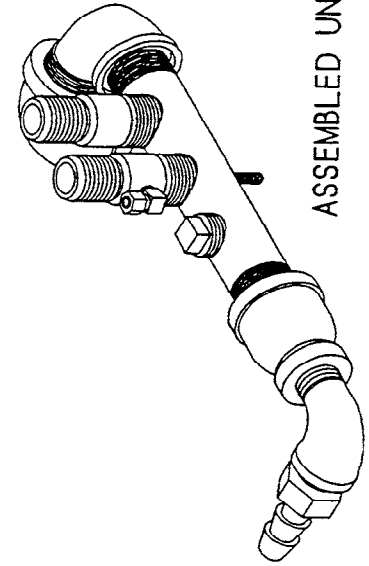
CLEVELAND RANGE INC.
1333 East 179th St. Cleveland, Ohio 44110-2874
DRAWN BY DUTCHMAN APPROVED BY
TITLE DRAIN, MANIFOLD ASSEMBLY
DRAWING NO. C - 42750

THIS DESIGN DESCRIBES A PROPRIETARY ITEM AND IS THE PROPERTY OF CLEVELAND RANGE. THIS DRAWING IS NOT TO BE COPIED OR USED WITHOUT THE APPROVAL OF CLEVELAND RANGE.

LET.	REVISIONS	DATE	BY
-	PRODUCTION RELEASE E.O. 12812	08-23-91	P.J.D.
A	P/N 14347 & 20205 OMITTED AND P/N 06240 WAS QTY. OF 2 PER E.O. 12812	08-24-90	P.D.



ITEM	QTY.	PART NO.	DESCRIPTION
12	1	00934	SEALANT, RECTORSEAL
11	1	14481	FITTING, BARB 1" H X 1" MPT S/S
10	1	565191	FITTING, HOSE, DRAIN MANIFOLD W/ 1/8 INLE
9	1	06192	FITTING, COMP. 1/4" T X 1/8" MPT 90°
8	1	16808	PLUG, SO. HEAD, 3/4" PIPE, BLACK
7	1	06240	FITTING, HOSE BARB 3/4" H X 3/4" MPT
6	1	05259	ELBOW, STREET 3/4" X 90°, BLACK
5	1	03816	COUPLING, RED, 1-1/2" X 3/4", BLACK
4	1	19917	STUD, WELD 1/4"-20 X 7/8, S/S
3	1	13252	MANIFOLD, DRAIN 1-1/2" NPT, BLACK
2	1	05292	ELBOW, STREET 1-1/2" NPT X 90°, BLACK
1	1	05238	ELBOW, 1-1/2" NPT X 90°, BLACK

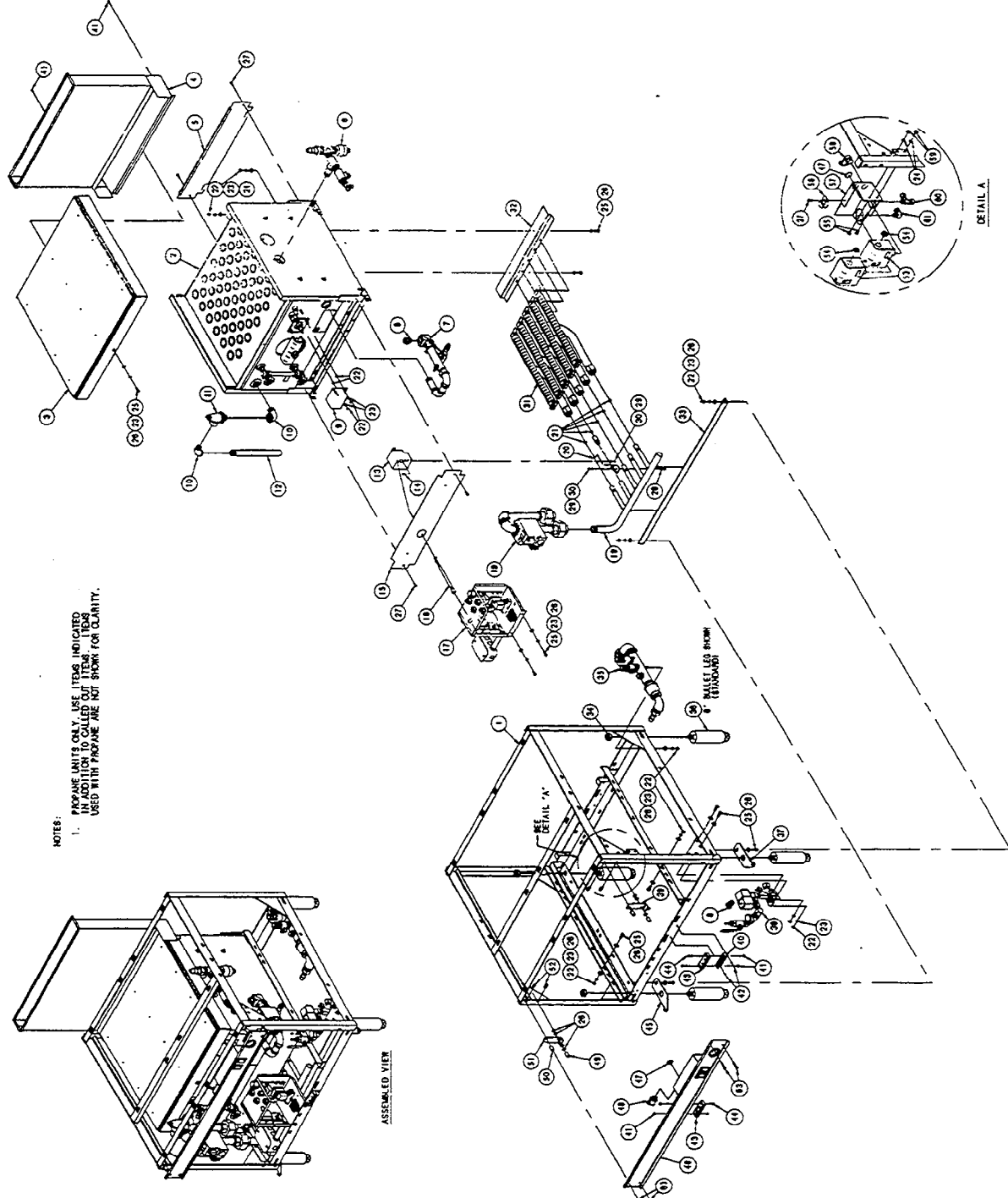


ASSEMBLED UNIT

TOLERANCES (EXCEPT AS NOTED)		CLEVELAND RANGE, INC. 1333 East 179th St., Cleveland, Ohio 44110-2374	
DECIMAL	± 1/2"	SCALE	1/2"
ANGULAR	± 1/4"	TITLE	PIPING ASSEMBLY, DRAIN
CK	08-13-91	DRAWING NO.	C - - 1
		REV.	A

THIS DESIGN DESCRIBES A PROPRIETARY ITEM AND IS THE PROPERTY OF CLEVELAND RANGE. THIS DRAWING IS NOT TO BE COPIED OR USED WITHOUT THE WRITTEN CONSENT OF CLEVELAND RANGE.

REV.	DATE BY	DESCRIPTION
1	10/18/58	REVISED TO SHOW CHANGES TO THE BURNER AND VALVE ASSEMBLY
2	11/10/58	REVISED TO SHOW CHANGES TO THE BURNER AND VALVE ASSEMBLY
3	12/15/58	REVISED TO SHOW CHANGES TO THE BURNER AND VALVE ASSEMBLY
4	1/15/59	REVISED TO SHOW CHANGES TO THE BURNER AND VALVE ASSEMBLY
5	2/15/59	REVISED TO SHOW CHANGES TO THE BURNER AND VALVE ASSEMBLY
6	3/15/59	REVISED TO SHOW CHANGES TO THE BURNER AND VALVE ASSEMBLY
7	4/15/59	REVISED TO SHOW CHANGES TO THE BURNER AND VALVE ASSEMBLY
8	5/15/59	REVISED TO SHOW CHANGES TO THE BURNER AND VALVE ASSEMBLY
9	6/15/59	REVISED TO SHOW CHANGES TO THE BURNER AND VALVE ASSEMBLY
10	7/15/59	REVISED TO SHOW CHANGES TO THE BURNER AND VALVE ASSEMBLY
11	8/15/59	REVISED TO SHOW CHANGES TO THE BURNER AND VALVE ASSEMBLY
12	9/15/59	REVISED TO SHOW CHANGES TO THE BURNER AND VALVE ASSEMBLY
13	10/15/59	REVISED TO SHOW CHANGES TO THE BURNER AND VALVE ASSEMBLY
14	11/15/59	REVISED TO SHOW CHANGES TO THE BURNER AND VALVE ASSEMBLY
15	12/15/59	REVISED TO SHOW CHANGES TO THE BURNER AND VALVE ASSEMBLY
16	1/15/60	REVISED TO SHOW CHANGES TO THE BURNER AND VALVE ASSEMBLY
17	2/15/60	REVISED TO SHOW CHANGES TO THE BURNER AND VALVE ASSEMBLY
18	3/15/60	REVISED TO SHOW CHANGES TO THE BURNER AND VALVE ASSEMBLY
19	4/15/60	REVISED TO SHOW CHANGES TO THE BURNER AND VALVE ASSEMBLY
20	5/15/60	REVISED TO SHOW CHANGES TO THE BURNER AND VALVE ASSEMBLY
21	6/15/60	REVISED TO SHOW CHANGES TO THE BURNER AND VALVE ASSEMBLY
22	7/15/60	REVISED TO SHOW CHANGES TO THE BURNER AND VALVE ASSEMBLY
23	8/15/60	REVISED TO SHOW CHANGES TO THE BURNER AND VALVE ASSEMBLY
24	9/15/60	REVISED TO SHOW CHANGES TO THE BURNER AND VALVE ASSEMBLY
25	10/15/60	REVISED TO SHOW CHANGES TO THE BURNER AND VALVE ASSEMBLY
26	11/15/60	REVISED TO SHOW CHANGES TO THE BURNER AND VALVE ASSEMBLY
27	12/15/60	REVISED TO SHOW CHANGES TO THE BURNER AND VALVE ASSEMBLY
28	1/15/61	REVISED TO SHOW CHANGES TO THE BURNER AND VALVE ASSEMBLY
29	2/15/61	REVISED TO SHOW CHANGES TO THE BURNER AND VALVE ASSEMBLY
30	3/15/61	REVISED TO SHOW CHANGES TO THE BURNER AND VALVE ASSEMBLY
31	4/15/61	REVISED TO SHOW CHANGES TO THE BURNER AND VALVE ASSEMBLY
32	5/15/61	REVISED TO SHOW CHANGES TO THE BURNER AND VALVE ASSEMBLY
33	6/15/61	REVISED TO SHOW CHANGES TO THE BURNER AND VALVE ASSEMBLY
34	7/15/61	REVISED TO SHOW CHANGES TO THE BURNER AND VALVE ASSEMBLY
35	8/15/61	REVISED TO SHOW CHANGES TO THE BURNER AND VALVE ASSEMBLY
36	9/15/61	REVISED TO SHOW CHANGES TO THE BURNER AND VALVE ASSEMBLY
37	10/15/61	REVISED TO SHOW CHANGES TO THE BURNER AND VALVE ASSEMBLY
38	11/15/61	REVISED TO SHOW CHANGES TO THE BURNER AND VALVE ASSEMBLY
39	12/15/61	REVISED TO SHOW CHANGES TO THE BURNER AND VALVE ASSEMBLY
40	1/15/62	REVISED TO SHOW CHANGES TO THE BURNER AND VALVE ASSEMBLY
41	2/15/62	REVISED TO SHOW CHANGES TO THE BURNER AND VALVE ASSEMBLY
42	3/15/62	REVISED TO SHOW CHANGES TO THE BURNER AND VALVE ASSEMBLY
43	4/15/62	REVISED TO SHOW CHANGES TO THE BURNER AND VALVE ASSEMBLY
44	5/15/62	REVISED TO SHOW CHANGES TO THE BURNER AND VALVE ASSEMBLY
45	6/15/62	REVISED TO SHOW CHANGES TO THE BURNER AND VALVE ASSEMBLY
46	7/15/62	REVISED TO SHOW CHANGES TO THE BURNER AND VALVE ASSEMBLY
47	8/15/62	REVISED TO SHOW CHANGES TO THE BURNER AND VALVE ASSEMBLY
48	9/15/62	REVISED TO SHOW CHANGES TO THE BURNER AND VALVE ASSEMBLY
49	10/15/62	REVISED TO SHOW CHANGES TO THE BURNER AND VALVE ASSEMBLY
50	11/15/62	REVISED TO SHOW CHANGES TO THE BURNER AND VALVE ASSEMBLY
51	12/15/62	REVISED TO SHOW CHANGES TO THE BURNER AND VALVE ASSEMBLY
52	1/15/63	REVISED TO SHOW CHANGES TO THE BURNER AND VALVE ASSEMBLY
53	2/15/63	REVISED TO SHOW CHANGES TO THE BURNER AND VALVE ASSEMBLY
54	3/15/63	REVISED TO SHOW CHANGES TO THE BURNER AND VALVE ASSEMBLY
55	4/15/63	REVISED TO SHOW CHANGES TO THE BURNER AND VALVE ASSEMBLY
56	5/15/63	REVISED TO SHOW CHANGES TO THE BURNER AND VALVE ASSEMBLY
57	6/15/63	REVISED TO SHOW CHANGES TO THE BURNER AND VALVE ASSEMBLY
58	7/15/63	REVISED TO SHOW CHANGES TO THE BURNER AND VALVE ASSEMBLY
59	8/15/63	REVISED TO SHOW CHANGES TO THE BURNER AND VALVE ASSEMBLY
60	9/15/63	REVISED TO SHOW CHANGES TO THE BURNER AND VALVE ASSEMBLY
61	10/15/63	REVISED TO SHOW CHANGES TO THE BURNER AND VALVE ASSEMBLY
62	11/15/63	REVISED TO SHOW CHANGES TO THE BURNER AND VALVE ASSEMBLY
63	12/15/63	REVISED TO SHOW CHANGES TO THE BURNER AND VALVE ASSEMBLY



NOTES:
 1. PROpane UNITS ONLY. USE ITEMS INDICATED IN ADDITION TO CALLED OUT ITEMS. ITEMS USED WITH PROPANE ARE NOT SHOWN FOR CLARITY.

SEE NOTE 1

REF

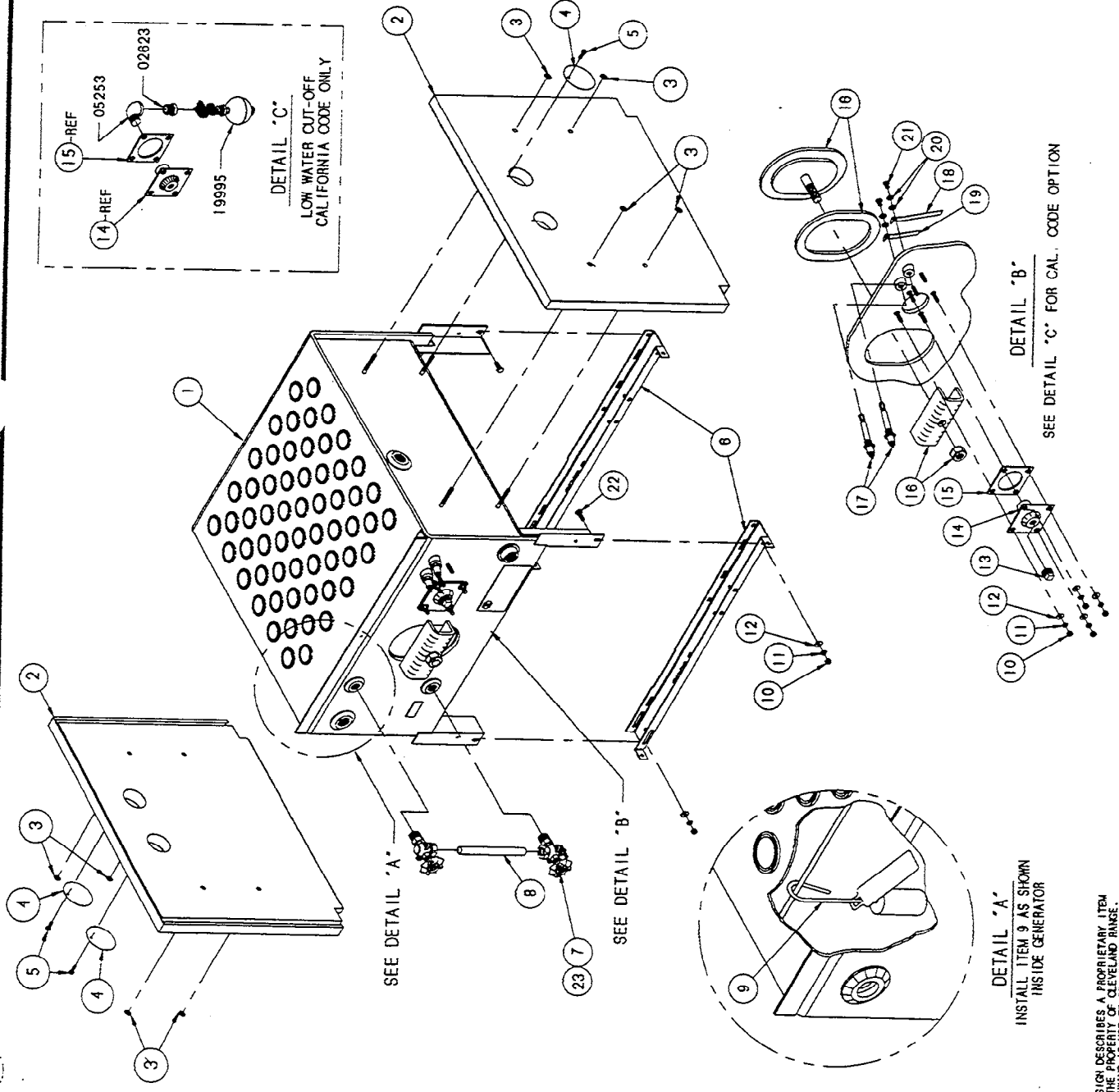
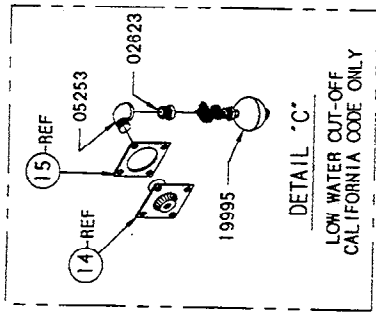
NET ASSEMBLY: DEC0025

HOW TO USE: SEE INSTRUCTIONS FOR ASSEMBLY AND OPERATION. THIS DRAWING IS NOT TO BE CONSIDERED AS A BASIS FOR REPAIR OR MAINTENANCE WITHOUT THE ASSISTANCE OF CLEVELAND RANGE.

ITEM	QTY	PART NO.	DESCRIPTION
1	1	100906	SCREW, TRUSS HD, #10 X 1/2
2	1	100907	SCREW, TRUSS HD, #10 X 1/2
3	1	100908	SCREW, TRUSS HD, #10 X 1/2
4	1	100909	SCREW, TRUSS HD, #10 X 1/2
5	1	100910	SCREW, TRUSS HD, #10 X 1/2
6	1	100911	SCREW, TRUSS HD, #10 X 1/2
7	1	100912	SCREW, TRUSS HD, #10 X 1/2
8	1	100913	SCREW, TRUSS HD, #10 X 1/2
9	1	100914	SCREW, TRUSS HD, #10 X 1/2
10	1	100915	SCREW, TRUSS HD, #10 X 1/2
11	1	100916	SCREW, TRUSS HD, #10 X 1/2
12	1	100917	SCREW, TRUSS HD, #10 X 1/2
13	1	100918	SCREW, TRUSS HD, #10 X 1/2
14	1	100919	SCREW, TRUSS HD, #10 X 1/2
15	1	100920	SCREW, TRUSS HD, #10 X 1/2
16	1	100921	SCREW, TRUSS HD, #10 X 1/2
17	1	100922	SCREW, TRUSS HD, #10 X 1/2
18	1	100923	SCREW, TRUSS HD, #10 X 1/2
19	1	100924	SCREW, TRUSS HD, #10 X 1/2
20	1	100925	SCREW, TRUSS HD, #10 X 1/2
21	1	100926	SCREW, TRUSS HD, #10 X 1/2
22	1	100927	SCREW, TRUSS HD, #10 X 1/2
23	1	100928	SCREW, TRUSS HD, #10 X 1/2
24	1	100929	SCREW, TRUSS HD, #10 X 1/2
25	1	100930	SCREW, TRUSS HD, #10 X 1/2
26	1	100931	SCREW, TRUSS HD, #10 X 1/2
27	1	100932	SCREW, TRUSS HD, #10 X 1/2
28	1	100933	SCREW, TRUSS HD, #10 X 1/2
29	1	100934	SCREW, TRUSS HD, #10 X 1/2
30	1	100935	SCREW, TRUSS HD, #10 X 1/2
31	1	100936	SCREW, TRUSS HD, #10 X 1/2
32	1	100937	SCREW, TRUSS HD, #10 X 1/2
33	1	100938	SCREW, TRUSS HD, #10 X 1/2
34	1	100939	SCREW, TRUSS HD, #10 X 1/2
35	1	100940	SCREW, TRUSS HD, #10 X 1/2
36	1	100941	SCREW, TRUSS HD, #10 X 1/2
37	1	100942	SCREW, TRUSS HD, #10 X 1/2
38	1	100943	SCREW, TRUSS HD, #10 X 1/2
39	1	100944	SCREW, TRUSS HD, #10 X 1/2
40	1	100945	SCREW, TRUSS HD, #10 X 1/2
41	1	100946	SCREW, TRUSS HD, #10 X 1/2
42	1	100947	SCREW, TRUSS HD, #10 X 1/2
43	1	100948	SCREW, TRUSS HD, #10 X 1/2
44	1	100949	SCREW, TRUSS HD, #10 X 1/2
45	1	100950	SCREW, TRUSS HD, #10 X 1/2
46	1	100951	SCREW, TRUSS HD, #10 X 1/2
47	1	100952	SCREW, TRUSS HD, #10 X 1/2
48	1	100953	SCREW, TRUSS HD, #10 X 1/2
49	1	100954	SCREW, TRUSS HD, #10 X 1/2
50	1	100955	SCREW, TRUSS HD, #10 X 1/2
51	1	100956	SCREW, TRUSS HD, #10 X 1/2
52	1	100957	SCREW, TRUSS HD, #10 X 1/2
53	1	100958	SCREW, TRUSS HD, #10 X 1/2
54	1	100959	SCREW, TRUSS HD, #10 X 1/2
55	1	100960	SCREW, TRUSS HD, #10 X 1/2
56	1	100961	SCREW, TRUSS HD, #10 X 1/2
57	1	100962	SCREW, TRUSS HD, #10 X 1/2
58	1	100963	SCREW, TRUSS HD, #10 X 1/2
59	1	100964	SCREW, TRUSS HD, #10 X 1/2
60	1	100965	SCREW, TRUSS HD, #10 X 1/2
61	1	100966	SCREW, TRUSS HD, #10 X 1/2
62	1	100967	SCREW, TRUSS HD, #10 X 1/2
63	1	100968	SCREW, TRUSS HD, #10 X 1/2

CLEVELAND RANGE, INC. 1832 East 171st St., Cleveland, Ohio 44116-3174	
SCALE	DRAWN BY E. UNIVERS
TITLE	BASE ASSEMBLY, GENERATOR
DATE	10-14-53
REV.	10-14-53
CHK	D - DCE0007

LET REVISIONS DATE BY



QTY.	PART NO.	DESCRIPTION	
23	00934	SEALANT, RECTORSEAL	
4	19288	SCREW, HEX HEAD, 1/4-20 X 3/4	
2	19218	SCREW, HEX HEAD, 1/4-20 X 3/8 S/S	
20	23151	WASHER, INTERNAL TOOTH LOCK, 1/4	
19	82452	EXTENSION, WATER PROBE, 1/2 X 3-1/8	
18	82153	EXTENSION, WATER PROBE, 1/2 X 4-5/8	
17	16871	PROBE WARRICK, 4-5/16" LG	
16	40421	HAND HOLE PLATE & BAR ASSM	
15	07128	GASKET, HEATER	
14	41913	PLATE, MOUNTING	
13	16802	PLUG, SQUARE 1/2 PIPE, BLACK	
12	23118	WASHER, FLAT, 1/4 S/S	
11	6	23105	WASHER, FLAT LOCK, 1/4 S/S
10	14818	NUT, HEX, 1/4 - 20 S/S	
9	43865	ANODE ASSM CORROSION PREVENTATIVE	
8	07302	GAUGE, WATER, 5/8 X 6, GLASS	
7	07176	GAUGE, FITTINGS, WATER, 1/2"	
6	89987	SUPPORT, GEN MTG CHANNEL 900/1050AM	
5	19148	SCREW, HEX WASH HD, 3/16 X 1/2	
4	105539	DISK, HOLE COVER SIDE INSL. PANEL	
3	14288	FASTENER, PUSHINUT, 1/4" STUD DIA.	
2	1009802	PANEL, INSULATION ASM, RT/LT LP	
1	1009800	PANEL, INSULATION ASM, RT/LT NAT GAS	
1	407431	GENERATOR ASSY, GAS-WELDMENT	
NO.	QTY.	PART NO.	DESCRIPTION

TOLERANCES (UNLESS SHOWN)
 DECIMAL ± .001
 ANGULAR ± .1°
 SCALE 3/16
 DRAWN BY CRIVEAS
 APPROVED BY NLT
 TITLE GAS GENERATOR ASSEMBLY
 5/8 BURNER, W/ REFERENCE PARTS
 DATE 10-14-93
 REV. -
 DRAWING NO. C-407431WP

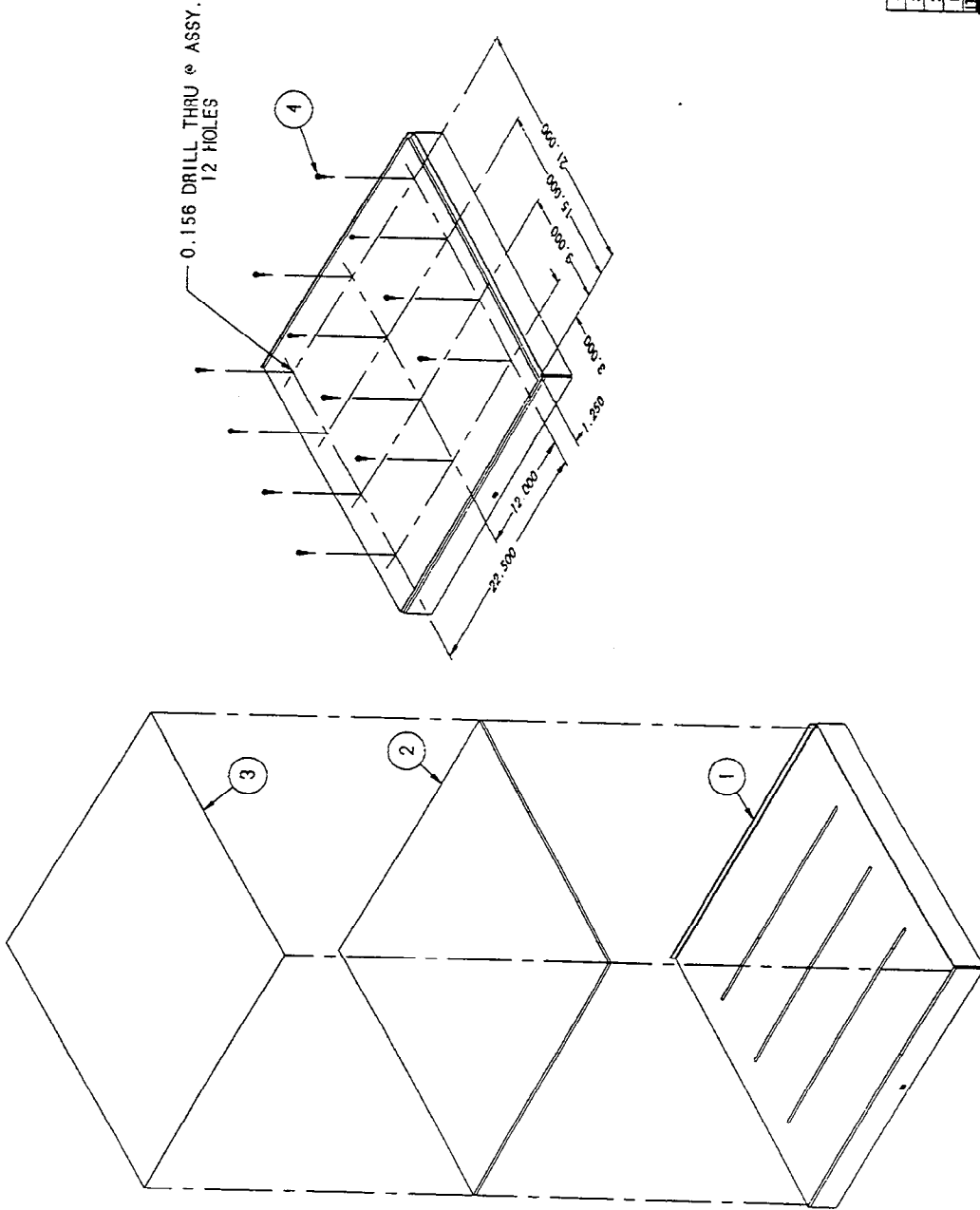
THIS DESIGN DESCRIBES A PROPRIETARY ITEM
 AND IS THE PROPERTY OF CLEVELAND RANGE.
 THIS DESIGN IS TO BE REPRODUCED OR USED
 WITHOUT THE APPROVAL OF CLEVELAND RANGE.

DETAIL "A"
 INSTALL ITEM 9 AS SHOWN
 INSIDE GENERATOR

DETAIL "B"
 SEE DETAIL "C" FOR CAL. CODE OPTION

CLEVELAND RANGE INC.
 1333 East 179th St. Cleveland, Ohio 44110-2574

LET.	REVISIONS	DATE	BY
A	ITEM 4, WAS P/N 19287 E.O. C-1590	7-7-89	DP
B	REDRAWN & UPDATED PER B.O.M.	2-07-91	EAG
	E.O. # C-2558		

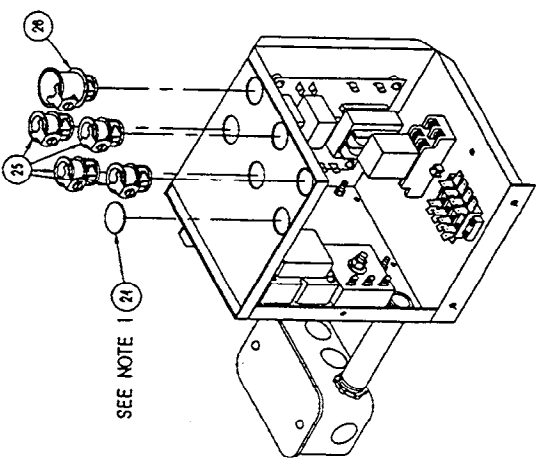


4	19116	SCREW, HEX HEAD WASH. SLTD. #10 x 1.75
3	101171	PANEL, INSULATION, 3 & 6 BURNER
2	101181	INSULATION, 3 & 6 BURNER
1	1009771	COLLECTOR, TOP FLUE, LARGE GAS
ITEM QTY.	PART NO.	DESCRIPTION
TOLERANCES (UNLESS OTHERWISE SPECIFIED)		
DECIMAL	CLEVELAND RANGE, INC. 1533 East 191st St. Cleveland, Ohio 44116-2874	
FRACTION	DRAWN BY	M. ERBEZNIK
ANGLE	TITLE	COLLECTOR ASSN. TOP FLUE LARGE GAS
DATE	5-11-87	
CK	DRAWING NO.	C - 10C
		REV. 6

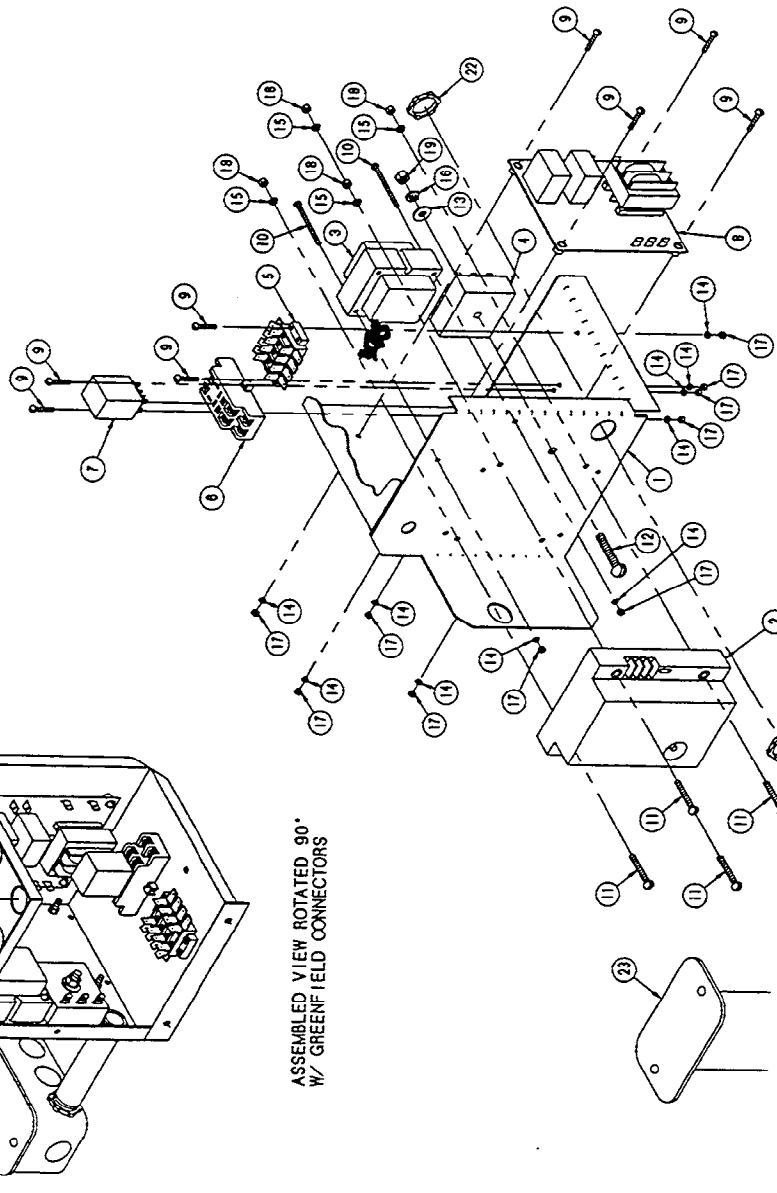
THIS DESIGN DESCRIBES A PROPRIETARY ITEM AND IS THE PROPERTY OF CLEVELAND RANGE. THIS DRAWING IS NOT TO BE COPIED OR USED WITHOUT THE APPROVAL OF CLEVELAND RANGE.

LET.	REVISIONS	DATE	BY

NOTES:
 1. REMOVE P/N 19329 WHEN CAL. CODE / LWOO IS USED (SEE B. O.M. FOR APPROPRIATE CONNECTOR).



ASSEMBLED VIEW ROTATED 90° W/ GREEN FELD CONNECTORS



ITEM QTY	PART NO.	DESCRIPTION
26	1	103246 CONNECTOR, GREEN FELD, 1/2" SWAP TIE
25	4	103243 CONNECTOR, GREEN FELD, 3/8" SWAP TIE
24	1	19329 PLUG, SWAP-IN, 1/2" FOR 1/8" HOLE
23	1	02388 COVER, HANDI-BOX
22	4	14814 NUT, LOCK, 1/2", ELECTRICAL
21	1	14834 NUT, 1/2" x 1/4", BLACK
20	1	02381 BOX, HANDI-BOX, ELECTRICAL
19	1	14818 NUT, HEX, 1/4-20, S/S, FULL FINISH
18	4	14898 NUT, HEX, 8-32, ZINC PLATED
17	10	14874 NUT, HEX, 8-32, ZINC PLATED
16	1	23105 WASHER, SPLIT LOCK, 1/4", S/S
15	4	101837 WASHER, INTERNAL TOOTH LOCK, 48
14	10	23111 WASHER, INTERNAL TOOTH LOCK, 48
13	1	23116 WASHER, FLAT, 1/4" ID x .065" THK
12	1	19285 SCREW, ROAD HEAD SLOTTED, 8-32 x 1.25"
11	8	19150 SCREW, ROAD HEAD SLOTTED, 8-32 x 1.25"
10	4	19149 SCREW, ROAD HEAD SLOTTED, 8-32 x 1.25"
9	2	19183 SCREW, ROAD HEAD SLOTTED, 8-32 x .75"
8	1	23198 CONTROL, WATER LEVEL
7	1	03524 RELAY, 120 V. 50/60Hz, AC, DPDT
6	1	03525 SOCKET, RELAY
5	1	44184 TERMINAL BLOCK ASM - 4 POLE, GAS UNITS
4	1	20478 TIMER, SOLID STATE INTERVAL, 3 MINUTE
3	1	20238 TRANSFORMER - SPARK IGNITION SUPPLY
2	1	03516 CONTROL, MODULE, DIRECT SPARK IGNITION
1	1	44139 BOX, WELDMENT, ELECTRIC FOR GAS, 2 POLE

TOLERANCES (UNLESS SHOWN)	
FRACTIONAL	DECIMAL
1/16"	3/32"
1/32"	1/64"
1/64"	1/128"
OK	DATE 2-15-94
	DRAWING NO. C - 10092901
	REV. -

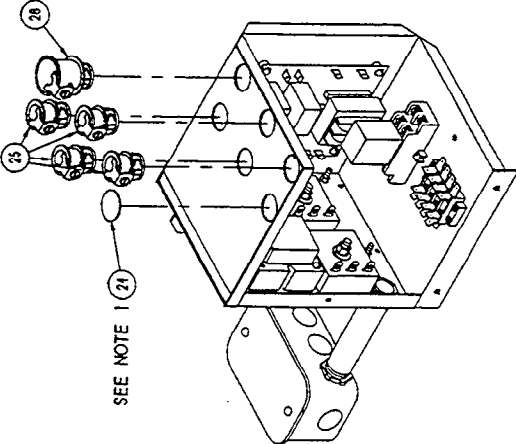
THIS DESIGN DESCRIBES A PROPRIETARY ITEM
 THE PROPERTY OF CLEVELAND RANGE.
 THIS DESIGN SHALL BE KEPT IN CONFIDENCE
 WITHOUT THE APPROVAL OF CLEVELAND RANGE.

CLEVELAND RANGE, INC.
 1329 EAST 171ST N.W., CLEVELAND, OHIO 44110-4374

DESIGNED BY E. GRIVEAS
 APPROVED BY

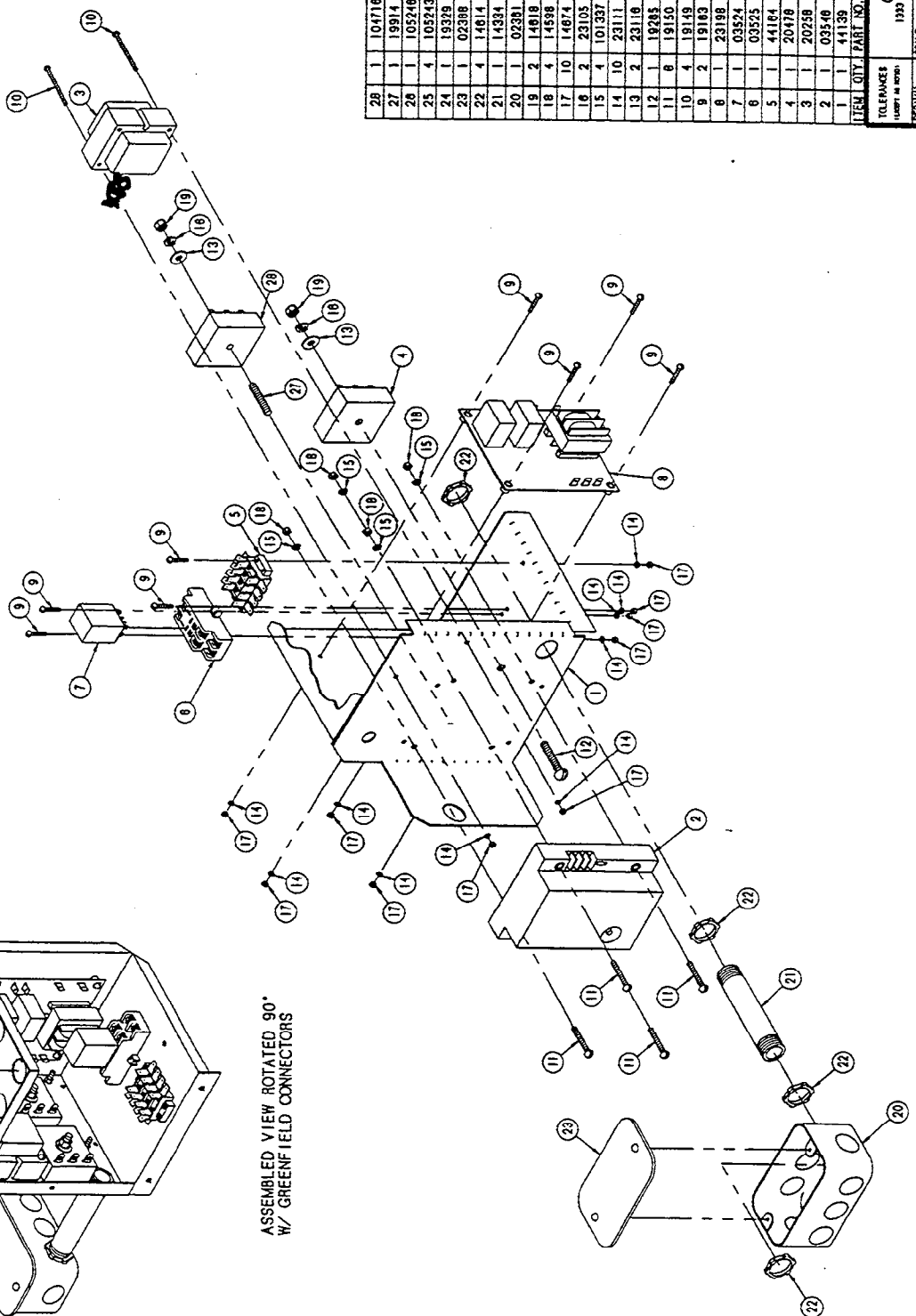
BOX, ELECTRIC, ASSEMBLY
 GAS - 2 POLE

NOTES:
 1. REMOVE P/N 19329 WHEN CAL. CODE / LWCO IS USED (SEE 8.O.M. FOR APPROPRIATE CONNECTOR).



SEE NOTE 1 (21)

ASSEMBLED VIEW ROTATED 90° W/ GREENFIELD CONNECTORS



ITEM	QTY	PART NO.	DESCRIPTION
28	1	104716	TIMER, RECYCLING, GENERATOR W/BLKDOWN
27	1	19914	STUD, WELD, STYLE F, 1/4-20 X 1-1/2, S/S
26	1	105246	CONNECTOR, GREENFIELD, 1/2" SNAP-TITE
25	4	105243	CONNECTOR, GREENFIELD, 3/8" SNAP-TITE
24	1	19329	PLUG, SNAP-IN, 1/2" FOR 1/8" POLE
23	1	02398	COVER, HANDI-BOX
22	4	14814	NUT, LOCK, 1/2", ELECTRICAL
21	1	14334	RIFFLE, 1/2" x 4", BLACK
20	1	02381	BOX, HANDI-BOX, ELECTRICAL
19	2	14818	NUT, HEX, 1/4-20, S/S, FULL FINISH
18	4	14596	NUT, HEX, 9-32, ZINC PLATED
17	10	14874	NUT, HEX, 9-32, ZINC PLATED
16	2	23105	WASHER, SPLIT LOCK, 1/4", S/S
15	4	101337	WASHER, INTERNAL TOOTH LOCK, 18
14	10	23111	WASHER, INTERNAL TOOTH LOCK, 18
13	2	23116	WASHER, FLAT, 1/4", ID x .065" THK
12	1	19285	SCREW, ROUND HEAD, 1/4-20 x 1.5", S/S
11	6	19150	SCREW, ROUND HEAD SLOTTED, 8-32 x 1.25"
10	4	19149	SCREW, ROUND HEAD SLOTTED, 6-32 x 1.75"
9	2	19143	SCREW, ROUND HEAD SLOTTED, 6-32 x .75"
8	1	23198	CONTROL, WATER LEVEL
7	1	03524	RELAY, 120 V, 50/60HZ, AC, DPDT
6	1	03525	SOCKET, RELAY
5	1	44164	TERMINAL BLOCK ASM - 4 POLE, GAS LIMITS
4	1	20418	TIMER, SOLID STATE, INTERVAL, 3 MINUTE
3	1	20239	TRANSFORMER - SPARK INHERITION SUPPLY
2	1	03540	CONTROL, KODALE, DIRECT SPARK IGNITION
1	1	44139	BOX, WELDMENT, ELECTRIC FOR GAS, 2 PROBE

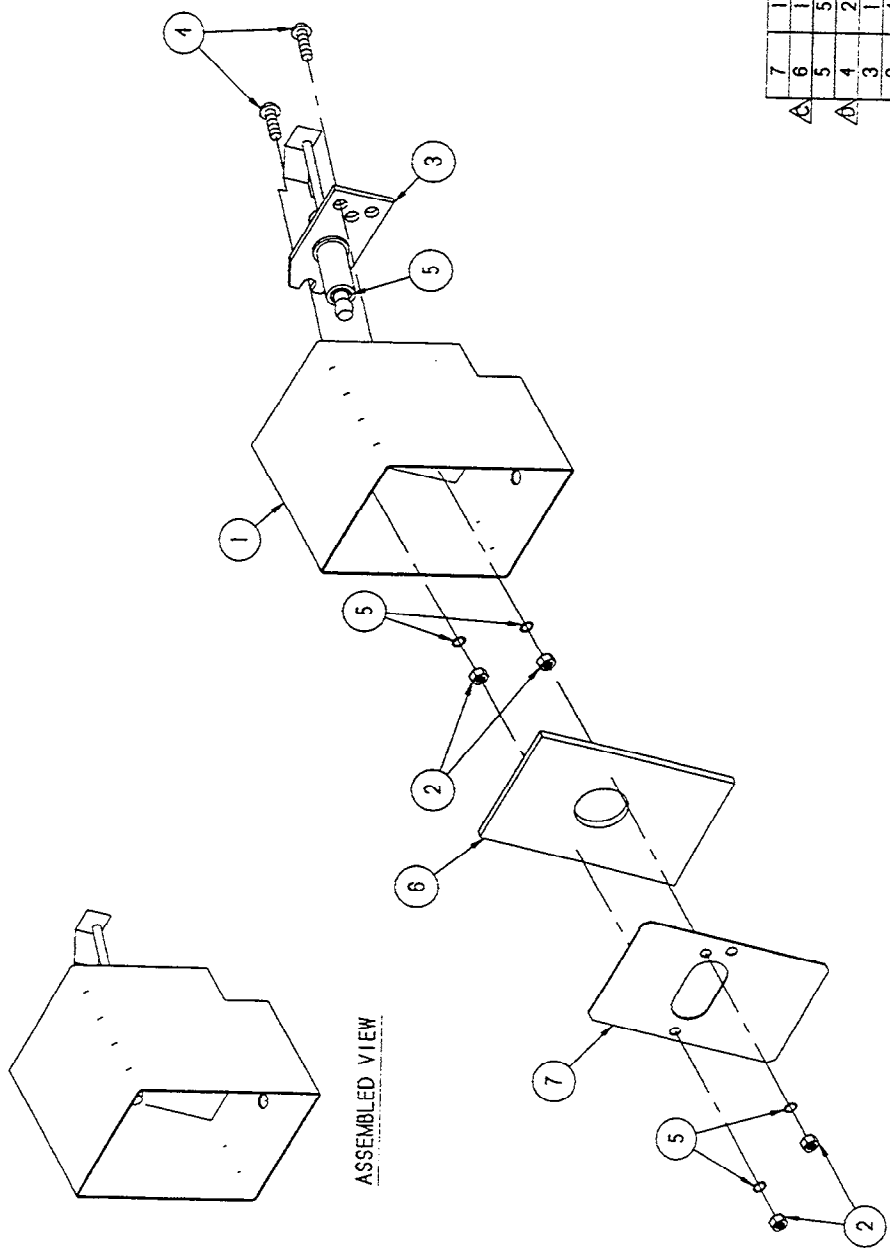
TELEMARKET
 CLEVELAND RANGE, INC.
 1333 East 178th St., Cleveland, Ohio 44110-3374

SCALE: 3/8"=1"
 DRAWN BY: E. GRIVEAS
 CHECKED BY: BOB ROBE
 TITLE: W/INTERMITTENT BLKDOWN, G

DATE: 2-15-94
 DRAWING NO.: C - 10092902
 REV: -

THIS DESIGN DESCRIBES A PROPRIETARY ITEM OF CLEVELAND RANGE. IT IS THE PROPERTY OF CLEVELAND RANGE AND IS NOT TO BE REPRODUCED OR COPIED OR USED WITHOUT THE APPROVAL OF CLEVELAND RANGE.

LET.	REVISIONS	DATE	BY
A	WAS C-44097	1-24-84	NEAL
B	ITEM 1 WAS C-52823, ECN 1054	3-6-86	DP
C	ADD P/N B-100314 FOR ITEM 6	3-12-86	DP
D	REDRAW WAS C SIZE, P/N 19163 WAS 19259, E.O.# C-2558	2-7-94	EAG



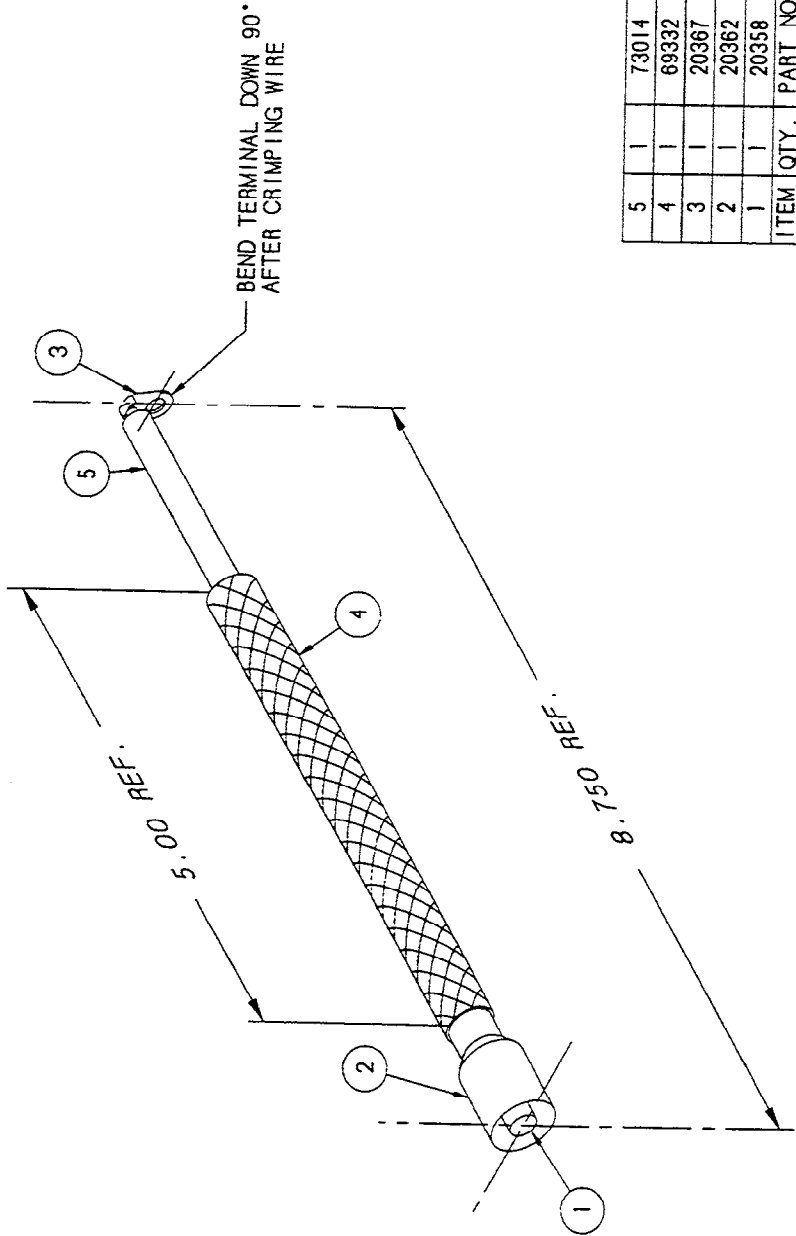
ASSEMBLED VIEW

ITEM	QTY.	DESCRIPTION
1	1	RETAINER, INSULATION
2	1	INSULATION, IGNITOR BOX
3	5	WASHER, LOCK, INTERNAL TOOTH, #6
4	2	SCREW, #6-32 x .75" LG.
5	1	ELECTRODE, COMBINATION IGNITOR/SENSOR
6	4	NUT, #6-32, HEX
7	1	BOX, IGNITOR, GEN. GAS, 2 PROBE

TOLERANCES (EXCEPT AS NOTED)		CLEVELAND RANGE INC.	
DECIMAL	SCALE	DRAWN BY	APPROVED BY
± N/A	5/8=1	E. LAWRENCE	E. HENDESS
ANGULAR	TITLE	BOX ASM, IGNITOR	
± N/A	DATE	DRAWING NO.	REV.
CK	12-6-94	B - 44096	D

THIS DESIGN DESCRIBES A PROPRIETARY ITEM AND IS THE PROPERTY OF CLEVELAND RANGE. THIS DRAWING IS NOT TO BE COPIED OR USED WITHOUT THE APPROVAL OF CLEVELAND RANGE.

LET.	REVISIONS	DATE	BY
------	-----------	------	----



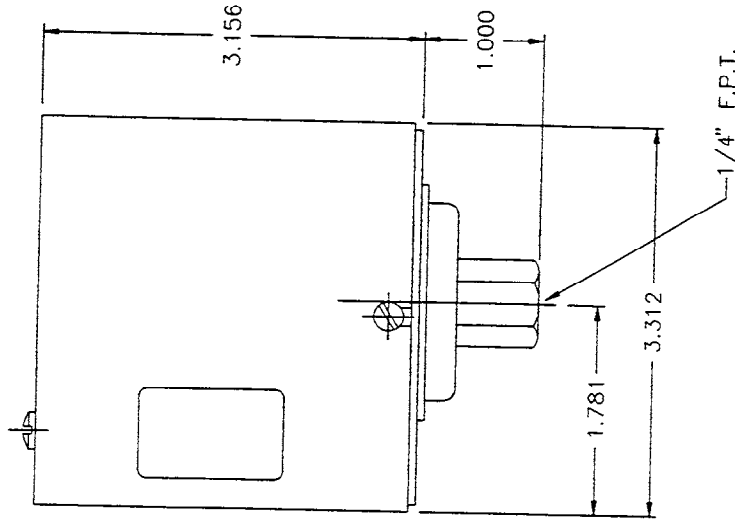
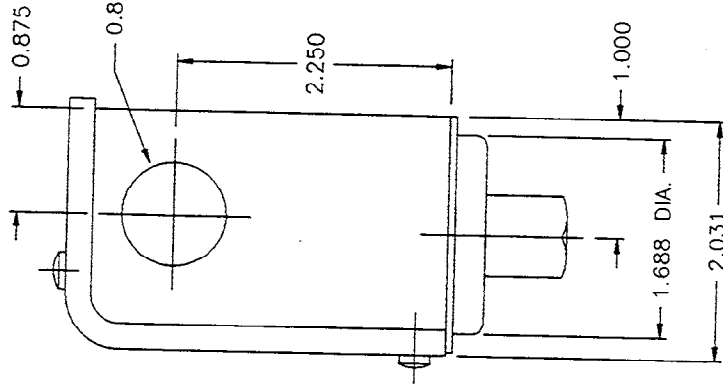
5	1	73014	WIRE, RADIX, 9" LONG
4	1	69332	SLEEVE, FIBERGLASS 5" INSULATING
3	1	20367	TERMINAL RING-#6, NON-INSULATED
2	1	20362	INSULATOR, RED SILICONE
1	1	20358	TERMINAL, IGNITION CABLE
ITEM	QTY.	PART NO.	DESCRIPTION

TOLERANCES (EXCEPT AS NOTED)		CLEVELAND RANGE, INC.	
1333 East 179th St. Cleveland, Ohio 44110-2574		SCALE	DRAWN BY
DECIMAL	± N/A	1=1	E. GRIVEAS
ANGULAR	± N/A	TITLE	APPROVED BY
CK	11-09-93	CABLE, IGNITION ASSEMBLY	
	DRAWING NO.	REV.	
	B-44169	-	

THIS DESIGN DESCRIBES A PROPRIETARY ITEM AND IS THE PROPERTY OF CLEVELAND RANGE. THIS DRAWING IS TO BE COPIED OR USED WITHOUT THE APPROVAL OF CLEVELAND RANGE.

LET.	REVISIONS	DATE	BY
A	REVISED ADJ. OPERATING RANGE SPEC.	11-28-84	RMC
-	WAS: 0.5 TO 9 PSI.	-	-
B	WAS: ADDITIVE DIFFERENTIAL	-	-
C	WAS: ADJ. DIFFERENTIAL: 1 TO 5 PSI, E.O. C-2276	07-07-86	TS
D	MODEL NO. WAS PA404A (SUBRACTIVE DIFFERENTIAL)	07-31-92	CJP
	E.O. #2276RT	10-13-92	NLI

CONDUIT FOR 1/2" DIA. 0.875



SPECIFICATIONS:

PRESSURE ACTUATED HIGH LIMIT SAFETY CONTROL FOR STEAM HEATING BOILERS.
 BREAKS AN ELECTRICAL CIRCUIT ON PRESSURE RISES.
 MAX. OPERATING PRESSURE: 20 PSI
 MAX. AMBIENT TEMPERATURE: 150° F.
 ELECTRICAL RATING: 8.0 F.L.A. AT 120V. AC
 SWITCH: PRESSURE ACTUATED SPST. SNAP-ACTION
 ADJUSTMENT MEANS: OPERATING RANGE SET POINT-SCREW ON TOP OF CASE; DIFFERENTIAL SET POINT-DIAL INSIDE OF CASE.
 ADJUSTABLE OPERATING RANGE: 3 TO 15 PSI.
 ADJUSTABLE DIFFERENTIAL: 1 TO 5 PSI; FACTORY SET AT 1 PSI MINUS DIFFERENTIAL.
 SWITCH ACTION ON PRESSURE FALL: MAKES AT SET POINT
 SWITCH ACTION ON PRESSURE RISE: BREAKS AT SET POINT.
 MOUNTING MEANS: 1/4" FEMALE PIPE THREADS

(A)
(B)
(C)

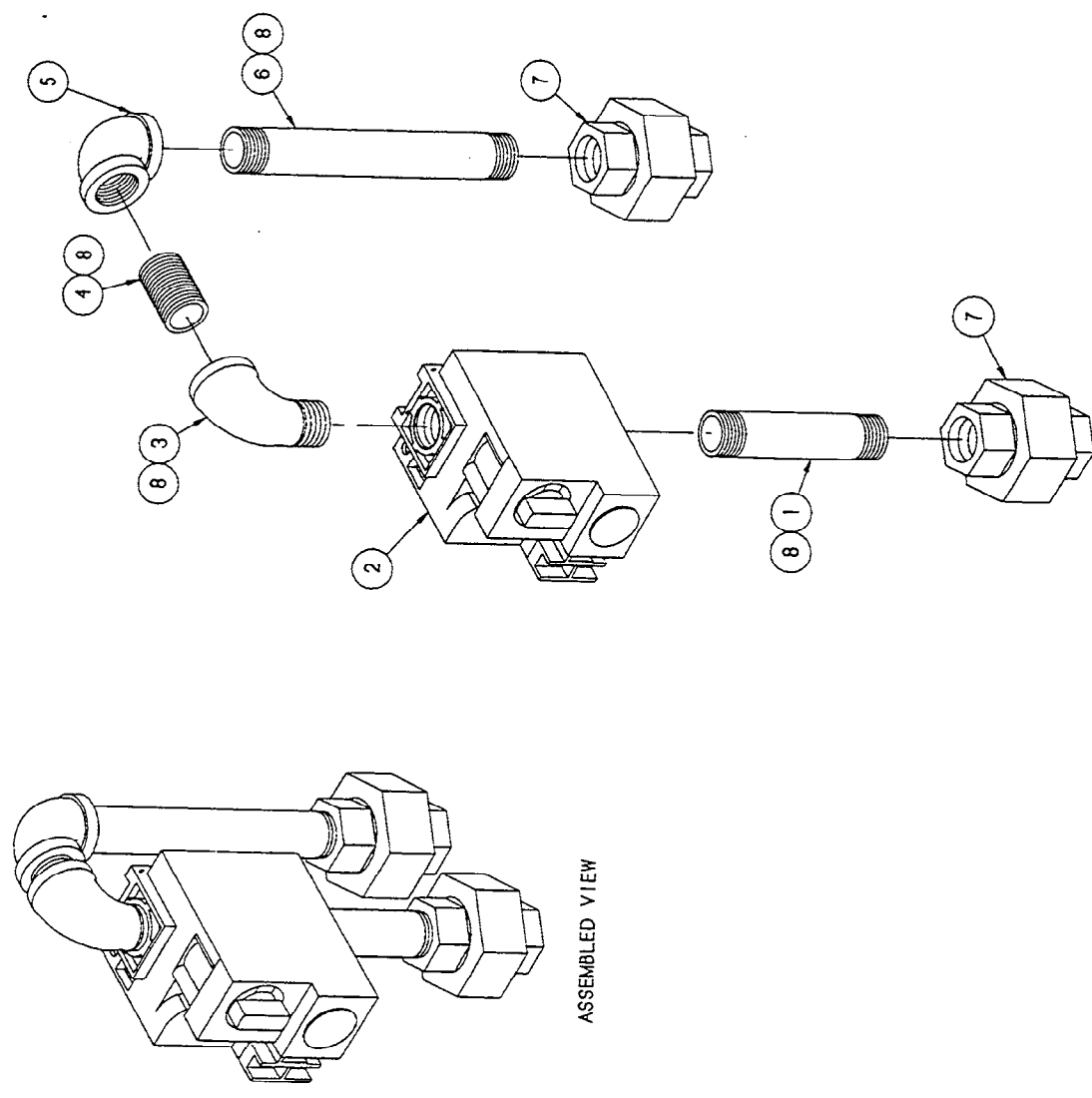
APPROVED SOURCE:

1. HONEYWELL
 MODEL NO. PA404A-1066
 U.I. FILE NO. MP466
 C.S.A. FILE NO. LR1620

ITEM	QTY	PART NO.	DESCRIPTION
TOLEANCES (EXCEPT AS NOTED)			CLEVELAND RANGE INC. 1333 East 179th St. Cleveland, Ohio 44110-2574
DECIMAL ±	1 = 1	DRAWN BY RJB	APPROVED BY
ANGULAR ± 1°		TITLE CONTROL, PRESSURE	
AC	DATE 09-08-76	DRAWING NO. B-19947	REV D

THIS DESIGN DESCRIBES A PROPRIETARY ITEM AND IS THE PROPERTY OF CLEVELAND RANGE.
 THIS DRAWING IS NOT TO BE COPIED OR USED WITHOUT THE APPROVAL OF CLEVELAND RANGE.

LET.	REVISIONS	DATE	BY



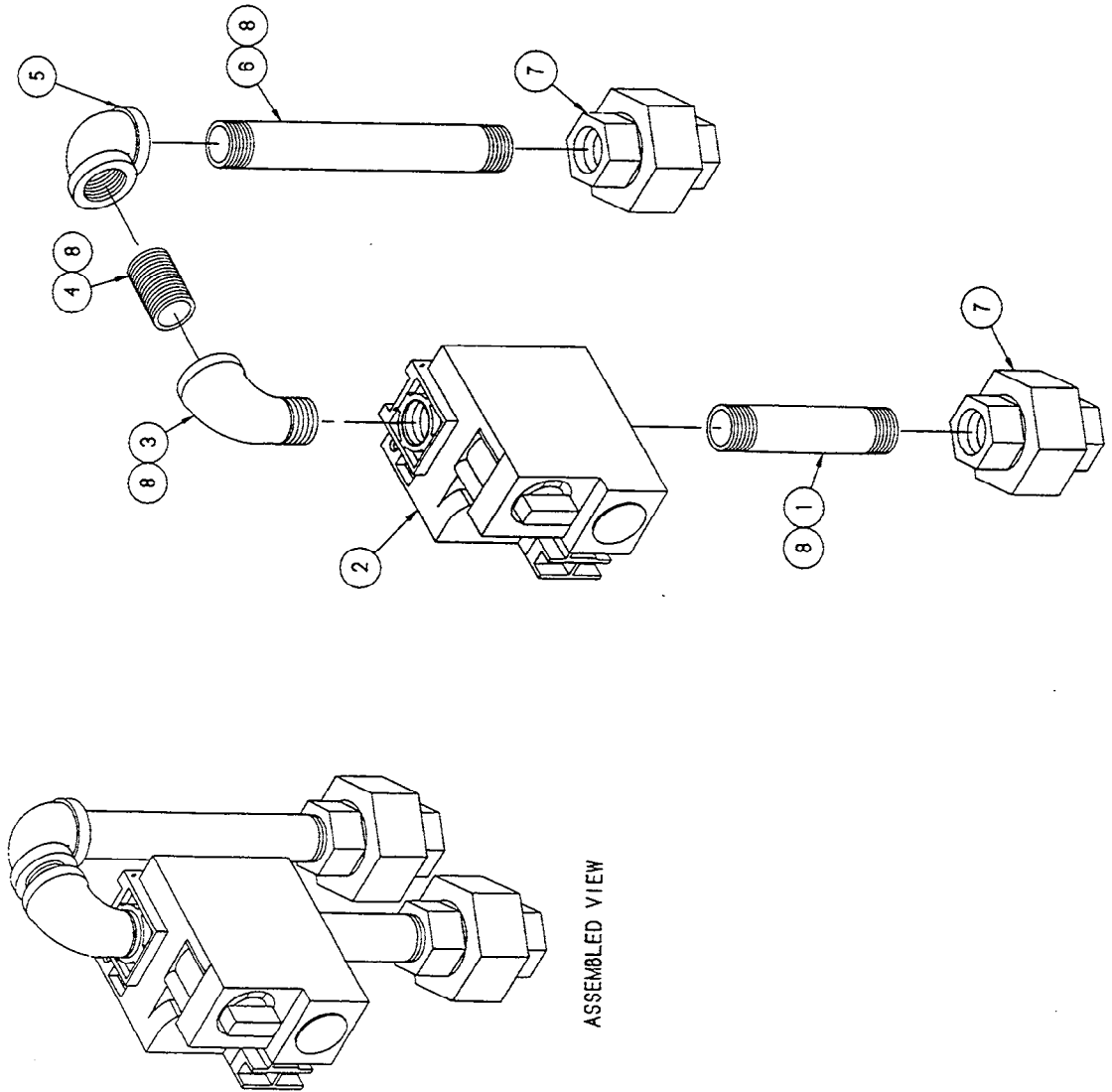
ASSEMBLED VIEW

ITEM	QTY.	PART NO.	DESCRIPTION
8	A/R	00934	SEALANT, RECTORSEAL
7	2	21305	UNION, 3/4", BLACK
6	1	14362	NIPPLE, 3/4" x 7.5" LG., BLACK
5	1	05258	ELBOW, 3/4" x 90°, BLACK
4	1	14343	NIPPLE, 3/4" x CLOSE, BLACK
3	1	05259	ELBOW, STREET, 90°, 3/4", BLACK
2	1	22230	VALVE, GAS CONTROL, NATURAL GAS
1	1	14347	NIPPLE, 3/4" x 3" LG., BLACK

TOLERANCES (EXCEPT AS NOTED)		CLEVELAND RANGE INC.	
DECIMAL	± N/A	1333 East 179th St., Cleveland, Ohio 44110-2574	
ANGULAR	± N/A	SCALE	3/8"=1
		DRAWN BY	E. GRIVEAS
		TITLE	VALVE ASSEMBLY, NATURAL GAS- 250/300 BTU
CK	11-08-93	APPROVED BY	NLT
		DRAWING NO.	B - 43664
		REV.	-

THIS DESIGN DESCRIBES A PROPRIETARY ITEM AND IS THE PROPERTY OF CLEVELAND RANGE. THIS DRAWING IS NOT TO BE COPIED OR USED WITHOUT THE APPROVAL OF CLEVELAND RANGE.

LET.	REVISIONS	DATE	BY



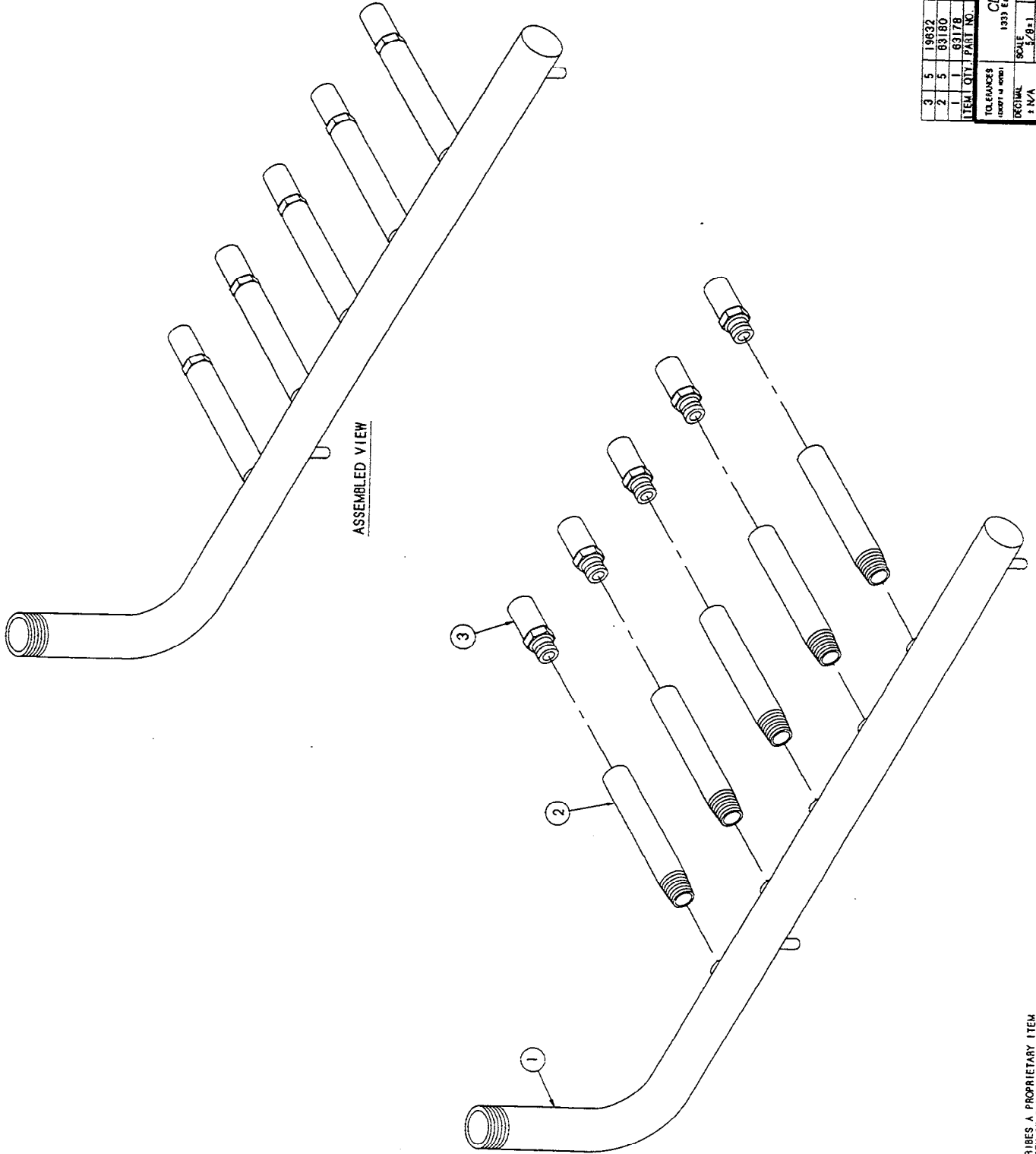
ASSEMBLED VIEW

ITEM	QTY.	PART NO.	DESCRIPTION
8	A/R	00934	SEALANT, RECTORSEAL
7	2	21305	UNION, 3/4" BLACK
6	1	14362	NIPPLE, 3/4" x 7.5' L.G., BLACK
5	1	05258	ELBOW, 3/4" 90° BLACK
4	1	14343	NIPPLE, 3/4" x CLOSE, BLACK
3	1	05259	ELBOW, STREET, 90°, 3/4", BLACK
2	1	22231	VALVE, GAS CONTROL FOR LP
1	1	14347	NIPPLE, 3/4" x 3' L.G., BLACK

TOLERANCES (EXCEPT AS NOTED)		CLEVELAND RANGE INC.	
1333 East 179th St. Cleveland, Ohio 44110-2574		SCALE 3/8=1	
DECIMAL ± N/A	DRAWN BY E. GRIVEAS	APPROVED BY NLT	
ANGULAR ± N/A	TITLE VALVE ASSEMBLY, LIQUID PROPANE - 2" - 300 BTU		
CK	DATE 11-09-93	DRAWING NO. B - 43674	REV. -

THIS DESIGN DESCRIBES A PROPRIETARY ITEM AND IS THE PROPERTY OF CLEVELAND RANGE. THIS DRAWING IS TO BE COPIED OR USED WITHOUT THE APPL. OF CLEVELAND RANGE.

LET. DATE BY

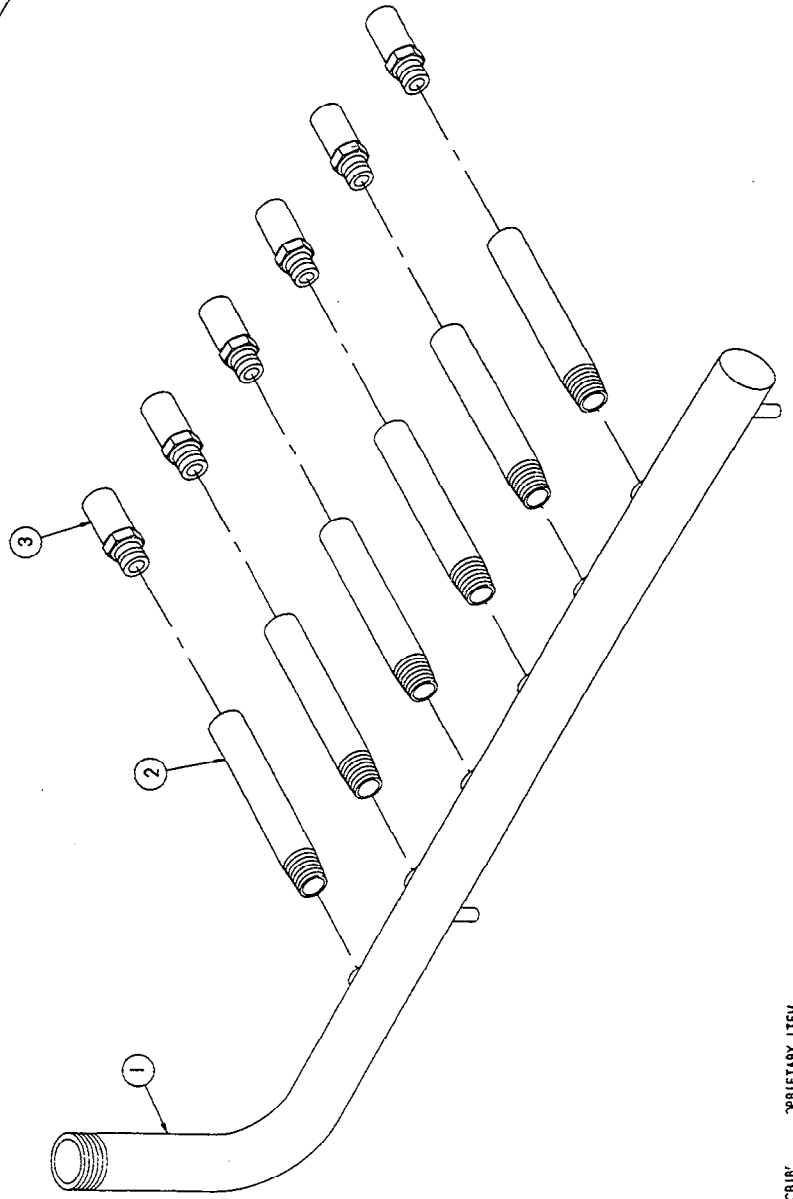
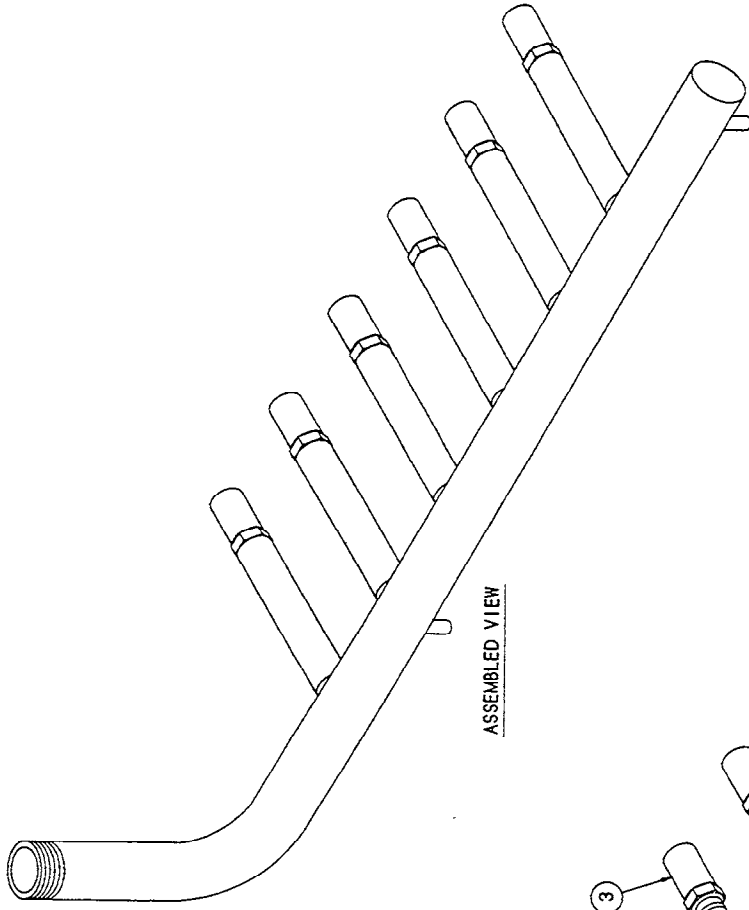


ASSEMBLED VIEW

3	5	18632	SPLDS. ORIFICE HOLDER, 5/8"
2	5	63180	EXTENSION GAS MANIFOLD
1	1	63178	MANIFOLD TUBE, 5 BURNER, GAS
ITEM QTY. PART NO.	DESCRIPTION		
TOLERANCES (UNLESS OTHERWISE SPECIFIED)			
DECIMAL	1/32 EXPT 1750 91, CLEVELAND, OHIO 44110-9374		
± FRA	SCALE	DRAWN BY	APPROVED BY
± N/A	1/8±.1	E. GRIVEAS	DLT
± N/A	TITLE	MANIFOLD ASSM, R/B	
± N/A	5 BURNER, GAS, 230 KBTU		
OK	DATE	DRAWING NO.	REV.
	11-10-93	C - 40921	

THIS DESIGN DESCRIBES A PROPRIETARY ITEM AND IS THE PROPERTY OF CLEVELAND RANGE. THIS DRAWING IS NOT TO BE COPIED OR USED WITHOUT THE APPROVAL OF CLEVELAND RANGE.

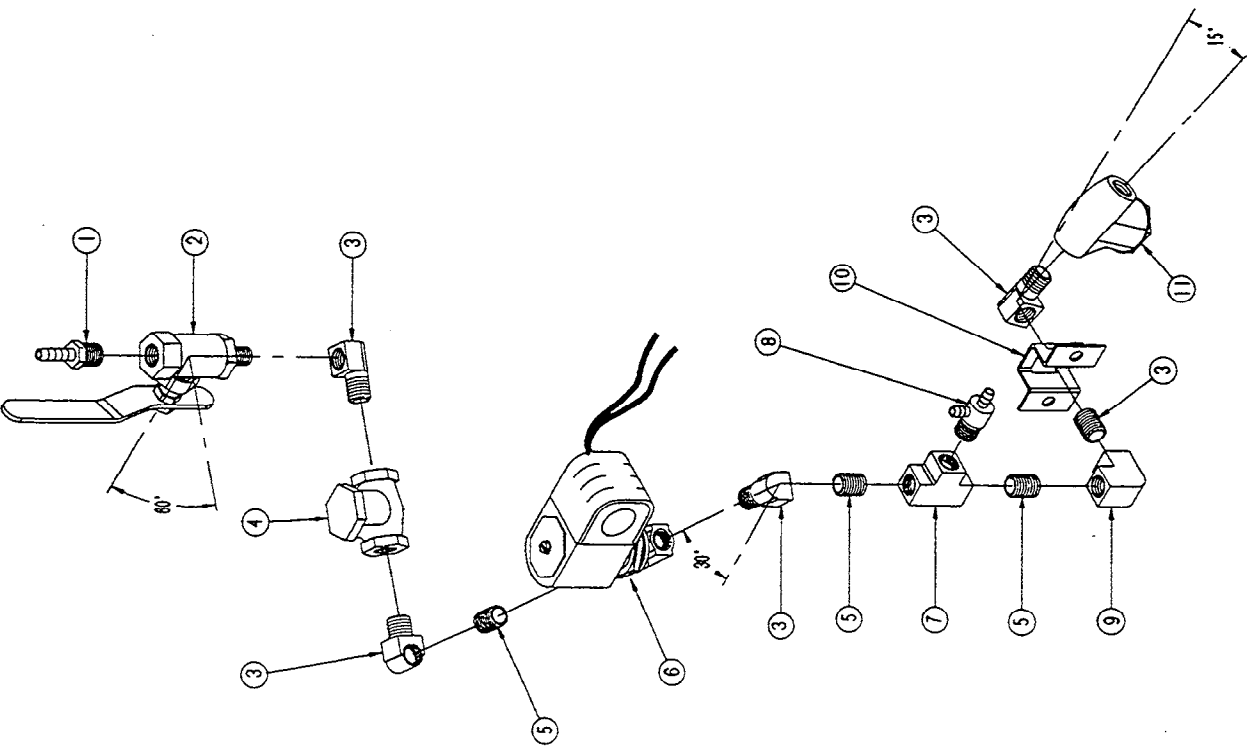
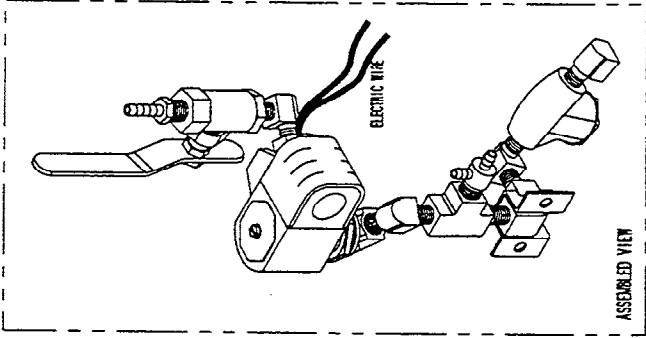
LET. REVISIONS DATE BY



3	6	19632	SPADS, ORIFICE HOLDER, 5/8"
2	6	63180	EXTENSION, GAS MANIFOLD
1	1	63179	MANIFOLD, TUBE 6 BURNER, GAS
ITEM	QTY.	PART NO.	DESCRIPTION
CLEVELAND RANGE INC. 1333 East 17th St., Cleveland, Ohio 44110-2814			
TOLERANCES UNLESS NOTED		SCALE 3/8"=1	
DECIMAL	+ 1/4	DRAWN BY E. GRI	APPROVED BY N.T.
ANGULAR	+ 1/4	MANIFOLD,	1/8
		6 BURNER, GAS,	J. KBTU
DATE 11.10.66	DRAWING NO. C - 4110-2814	REV	

THIS DESIGN DESCRIBED
 AND IS THE PROPERTY
 OF CLEVELAND RANGE
 THIS DRAWING IS NOT
 TO BE REPRODUCED
 WITHOUT THE APPROVAL OF CLEVELAND RANGE.

LET	REVISIONS	DATE	BY
G	ADDED 440702 PER E.O. C-1189	09-21-90	GS
H	P/N 06216 REMOVED FROM 440702 PER E.O. C-1189	08-13-91	PJD
J	P/N 06195 REMOVED FROM 440702 PER E.O. C-2082	11-26-91	SM
K	MOVED 440701 TO SEPARATE DRAWING	01-21-92	SM
L	NEW VALVE HOUSING ON P/N 22223 (PICTORIAL ONLY) E.O. C-2221 RI	02-04-93	PJD
M	REMOVED ASSY 410702, P/N 104381 WAS 06216, P/N 106188 WAS 06195, PER E.O. C-2448	08-22-93	EAG



NOTE: 1. MOUNT P/N 100664 TO LOWER RIGHT FRONT CASSET (BASE FRAME).

QTY.	ITEM	PART No.	DESCRIPTION
11	18070		STRAINER - 1/4"
10	10064		CLAMP, MOUNTING
9	05236		ELBOW, 1/4" 90° BRASS
8	106388		TEE, 1/4" ROSE BARR
7	20159		TEE, 1/4" BRASS
6	22223		VALVE, SOLENOID 1/4" NPT (P22801)
4	14301		WIPPLE, CLOSE 1/4" BRASS
4	21002		VALVE, CHECK 1/4" NPT
4	05235		ELBOW, STREET 1/4"-90° BRASS
2	08276		VALVE, BALL 1/4" NPT
1	104381		FITTING, ROSE 1/4" H X 1/4" NPT

SEE NOTE 1

△△△

△

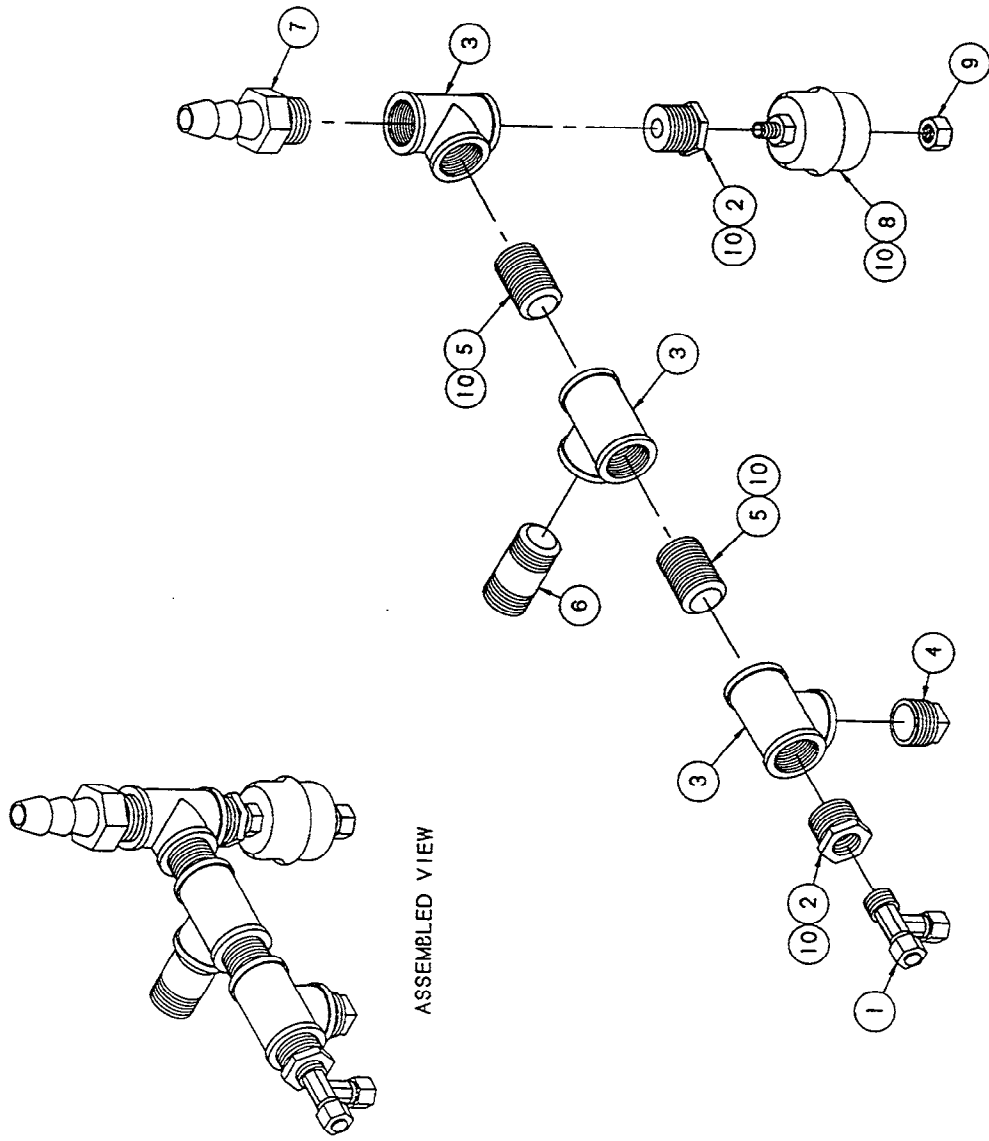
△△△

△△△

CLEVELAND RANGE INC.			
1333 East 179th St., Cleveland, Ohio 44110-3574			
SCALE	1/2"	DRAWN BY	ADDU
APPROVED BY	D.S.		
TITLE	PIPING ASSY. - WATER FEED CONVECTION STEAMER ELECTRIC, AND GAS		
DATE	09-14-90	DRAWING NO.	C-44070
REV.	M.		

THIS DESIGN DESCRIBES A PROPRIETARY ITEM AND IS THE PROPERTY OF CLEVELAND RANGE. THIS DRAWING IS NOT TO BE COPIED OR USED WITHOUT THE APPROVAL OF CLEVELAND RANGE.

LET. DATE BY



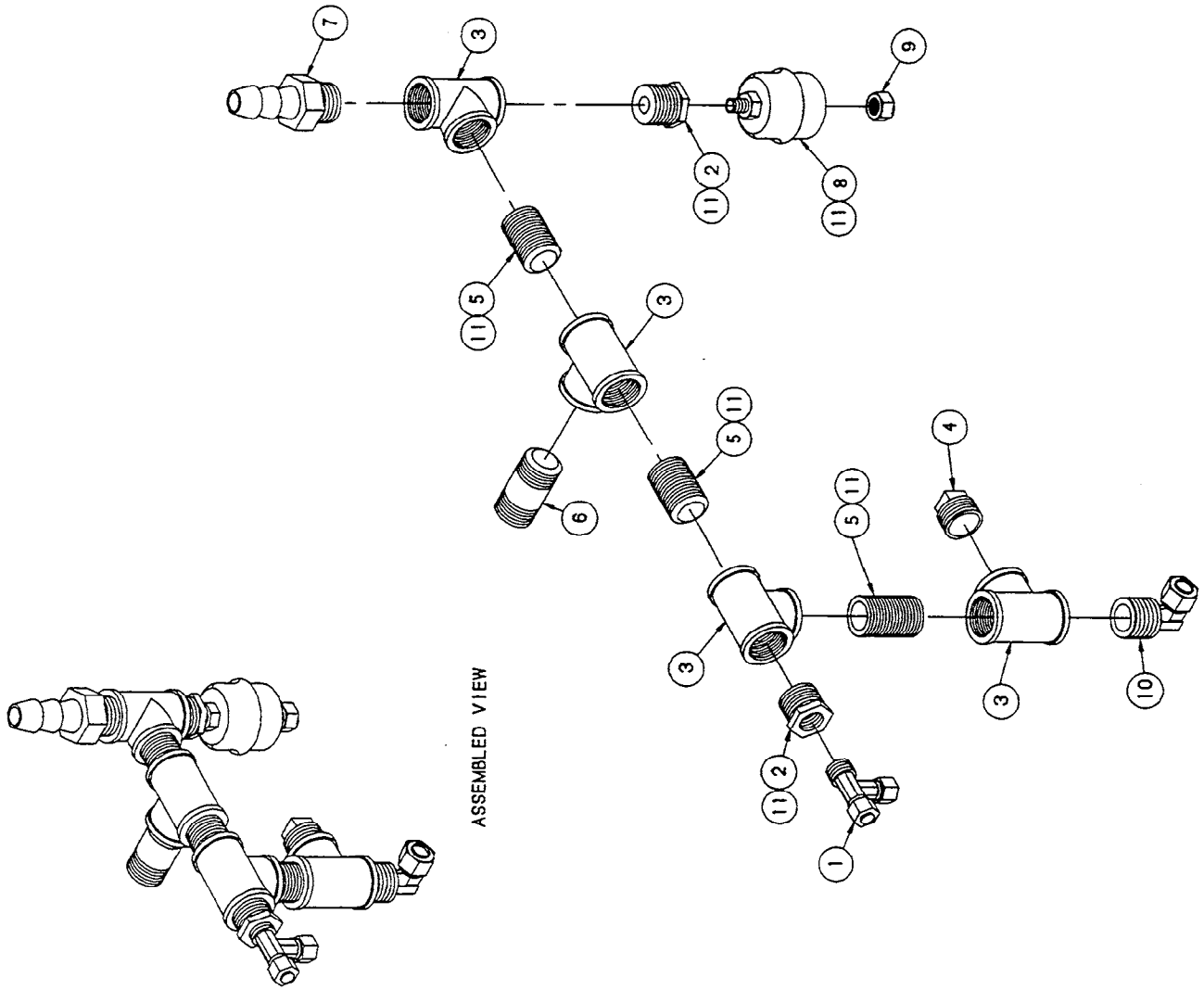
ASSEMBLED VIEW

ITEM	QTY.	PART NO.	DESCRIPTION
10	1	00934	SEALANT, RECTORSEAL
9	1	1468	NUT, COMPRESSION, 1/4" TUBE, BRASS
8	1	101207	TRAP, THERMOSTATIC, 1/4" X 1/4"
7	1	08240	FITTING, HOSE BARB 3/4 HOSE X 3/4 MPT BRASS
6	1	14481	NIFFLE, 3/4 X 2, BRASS
5	2	14342	NIFFLE, 3/4 X CLOSE, BRASS
4	1	16607	PLUG, SQUARE HEAD, 3/4, BRASS
3	3	20298	TEE, 3/4 BRASS
2	2	02583	BUSHING, REDUCING, 3/4 X 1/4, BRASS
1	1	100883	FITTING, COMP., TEE 3/8T X 3/8MPT X 3/8T

TOLERANCES (EXCEPT AS NOTED)		CLEVELAND RANGE INC. 1333 East 179th St., Cleveland, Ohio 44110-2514	
DECIMAL	SCALE	DRAWN BY	APPROVED BY
± N/A	1/2±1	E. GRIVEAS	NLT
ANGULAR	TITLE	STEAM OUTLET ASSEMBLY	
± N/A		REV. BEND GENERAL	
	DATE	DRAWING NO.	REV.
	10.07.00	C. 400100	2V.21

THIS DESIGN DESCRIBES
AND IS THE PROPERTY OF
CLEVELAND RANGE INC.
THIS DRAWING IS NOT TO
BE REPRODUCED OR USED
WITHOUT THE APPROVAL OF
CLEVELAND RANGE.

LET. REVISIONS DATE BY



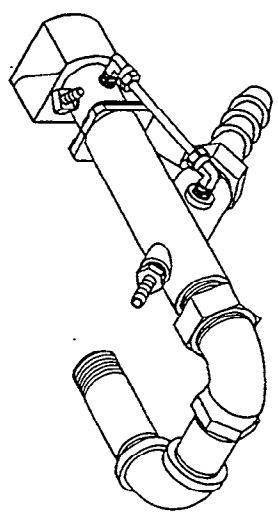
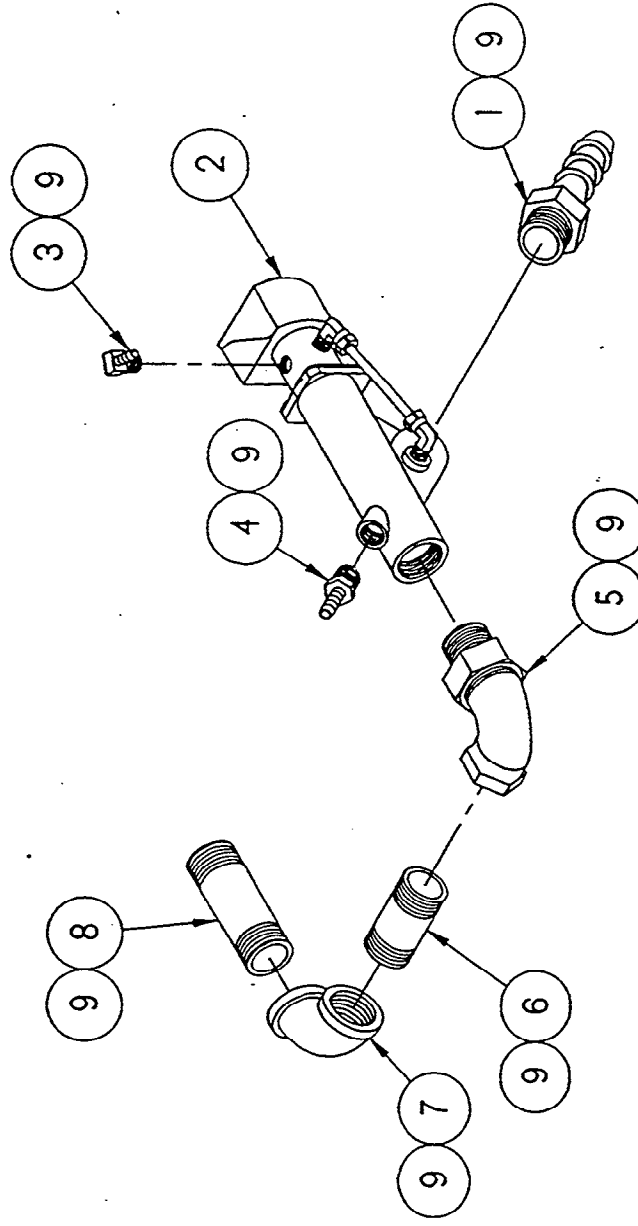
ASSEMBLED VIEW

ITEM	QTY.	PART NO.	DESCRIPTION
11	1	00934	SEALANT, RECTORSSEAL
10	1	08187	FITTING, COMP., 90 DEG. 1/2" X 3/4" MPT
9	1	14681	MPT, COMPRESSION, 1/4" TUBE, BRASS
8	1	101207	TRAP, THERMOSTATIC, 1/4" X 1/4"
7	1	08240	FITTING, HOSE MARB 3/4" HOSE X 3/4" MPT BRASS
6	1	14431	NIPPLE, 3/4 X 2, BRASS
5	3	14342	NIPPLE, 3/4 X CLOSE, BRASS
4	1	18807	PLUG, SQUARE HEAD, 3/4, BRASS
3	4	20208	TEE, 3/4 BRASS
2	2	02569	BUSHING, REDUCING, 3/4 X 1/4, BRASS
1	1	100883	FITTING, COMP., TEE 3/8" X 3/8" MPT X 3/8"

TOLERANCES		CLEVELAND RANGE INC.	
(UNLESS OTHERWISE SPECIFIED)		1333 East 179th St., Cleveland, Ohio 44110-2574	
DECIMAL	± N/A	SCALE	1/2" = 1"
ANGULAR	± N/A	TITLE	STEAM OUTLET ASSY, 42XEW120XEN
CK		DATE	2-03-94
		DRAWING NO.	C - 428126
		REV.	-

THIS DESIGN DESCRIBES A PROPRIETARY ITEM AND IS THE PROPERTY OF CLEVELAND RANGE. THIS DRAWING IS NOT TO BE COPIED OR USED WITHOUT THE APPROVAL OF CLEVELAND RANGE.

LET	REVISIONS	DATE	BY
A	P/A 20208 WAS 20149, E/O 12013	11-13-91	SU
B	ROTATED P/A 63217 & ADDED NOTE 1	04-18-93	SU
C	P/A 09210 WAS 09211, P/A 22211 WAS 22211, P/A 104291 WAS 09216, P/A 03260 WAS 03261, P/A 11405 WAS 11406, P/A 105787 ADDED, AD P/S 02271, 20208 & 11921 Omitted, PER E.O. 12812	06-18-93	PJO



QTY.	PART NO.	DESCRIPTION
1	0931	SEALANT, RECTANGUL
1	11495	NIPPLE, 3/4" HT X 3, S/S
1	05280	ELBOW, 3/4" X 3/4, 90°
1	11431	NIPPLE, 3/4" X 2, BRASS
1	09203	ELBOW, RADIIATOR, 3/4" X 90°
1	10430	FITTING, ROSE BANG, 1/4" H X 1/4" HT
1	10787	FITTING, ROSE BANG, 1/4" H X 1/4" HT 90°
2	22211	VALVE, SOLENOID, 1/2", 15 PSI
1	06240	FITTING, ROSE BANG, 3/4" H X 3/4" HT

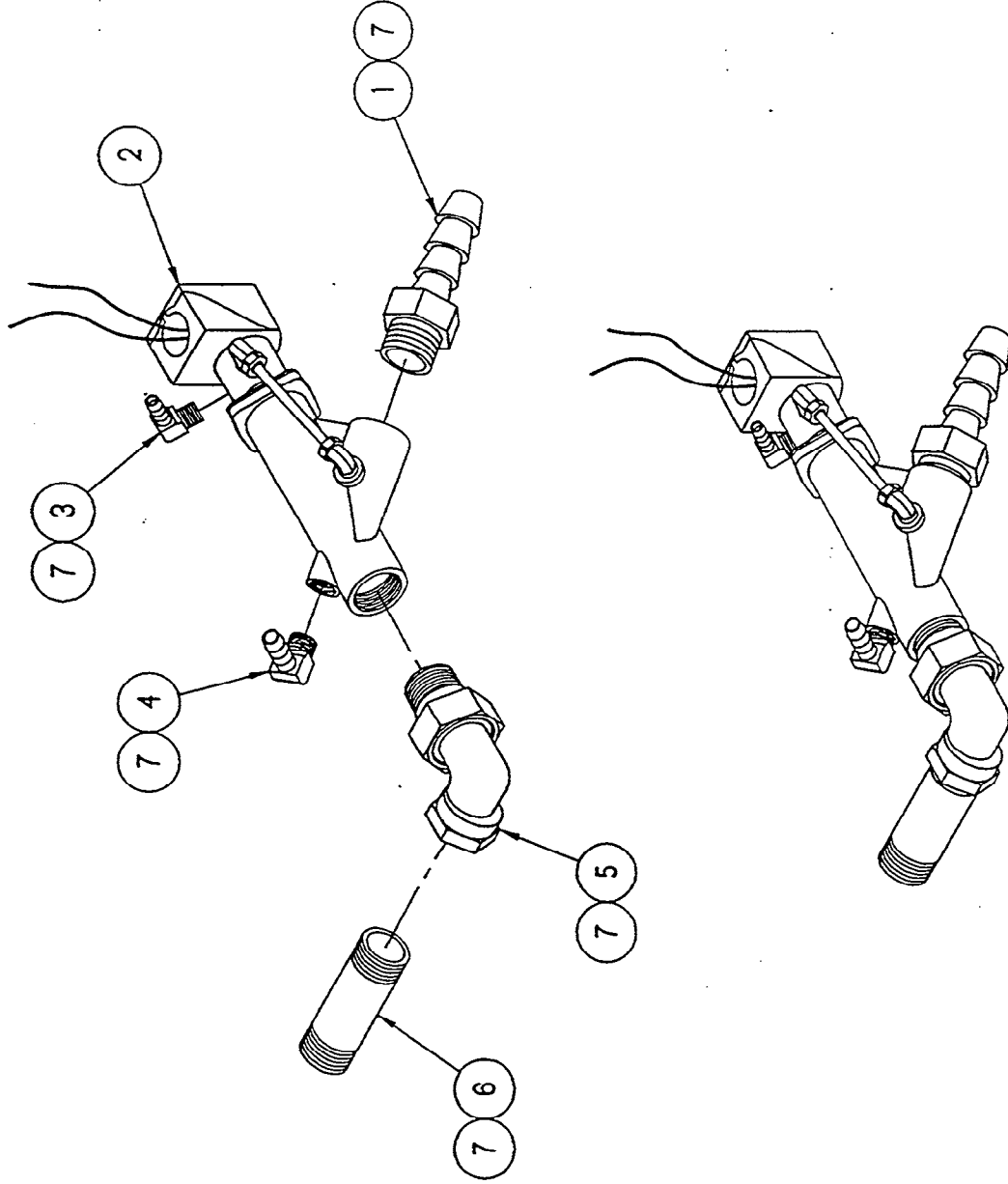
TELEPHONES	CLEVELAND RANGE INC.
(202) 414-8801	1320 East 17th St., Cleveland, Ohio 44110-2371
DECIMAL	SCALE
1 N/A	1/4" = 1"
2 N/A	APPROVED BY
3 N/A	S. MILLERSKI
	DIP
	PIPING ASSEMBLY, BLOWDOWN
	3600N, 3800A16, 3800CA, F04
	DATE
	11-07-91
	DRAWING NO.
	C - 40811
	REV.
	C

NOTES:
1. ROTATE TOWARDS S/S NIPPLE ABOUT 45° FOR SMALL GAS PRESSURES (1J).

THIS DESIGN DESCRIBES A PROPRIETARY ITEM AND IS NOT TO BE REPRODUCED OR COPIED WITHOUT THE APPROVAL OF CLEVELAND RANGE.

NOTE:

1. ROTATE VALVE 45° (AS SHOWN) FOR 36PCEM.



ASSEMBLED UNIT

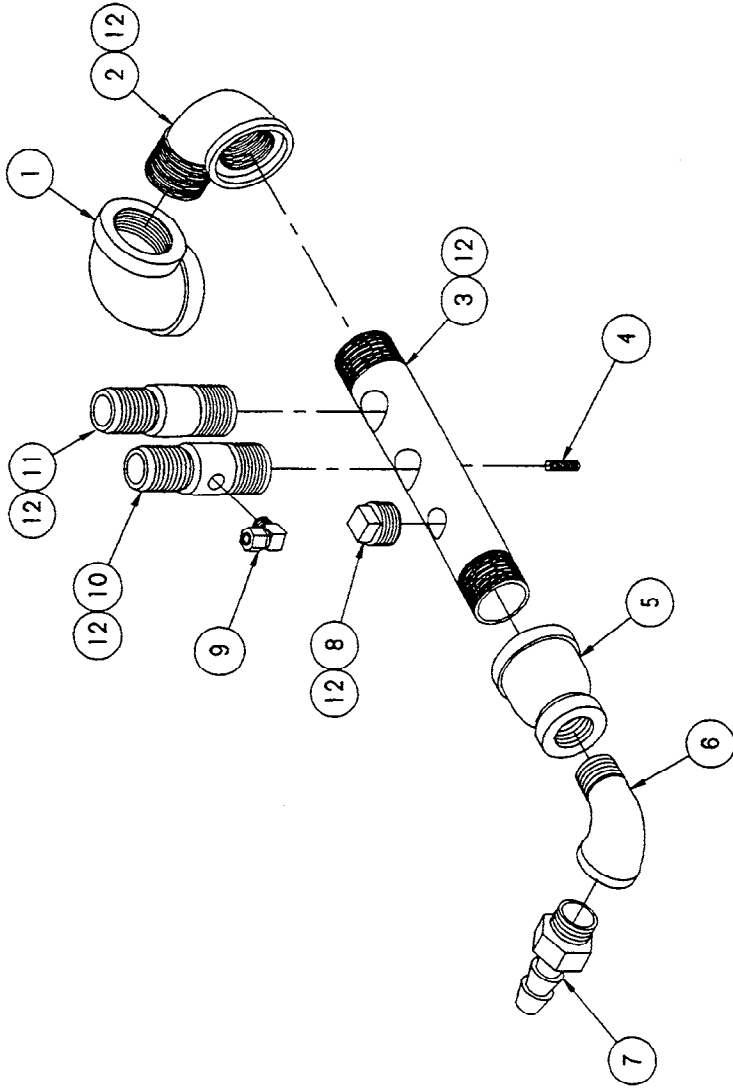
LET.	REVISIONS	DATE	BY
-	PRODUCTION RELEASE E.O. 12812-2	09-11-91	PJD
A	P/N 20208 WAS 20249 ADDED P/N 14990 & 00934 E.O. 12812-5	11-12-91	PJD
B	P/N 08240 WAS 06241, P/N 101381 WAS 06214, P/N 22244 WAS 22221, P/Ns 14326, 02568, 20206, 03277 & 14990 OMITTED. P/Ns 105787 & 14995 ADDED PER E.O. 12812-4	08-21-93	PJD

NO.	QTY.	PART NO.	DESCRIPTION
7	1	00934	SEALANT, RECTORSAL
7	1	14995	NUT, 3/4 NPT X 3' LG., S/S
5	1	05283	ELBOW, UNION RADIATOR
4	1	105786	FITTING, HOSE BARB, 1/4" X 1/4" NPT, 90°
3	1	105787	FITTING, HOSE BARB, 1/4" X 1/4" NPT, 90°
2	1	22244	VALVE, SOLENOID, 1/2", 15 PSI
1	1	08240	FITTING, HOSE BARB, 3/4" X 3/4" NPT

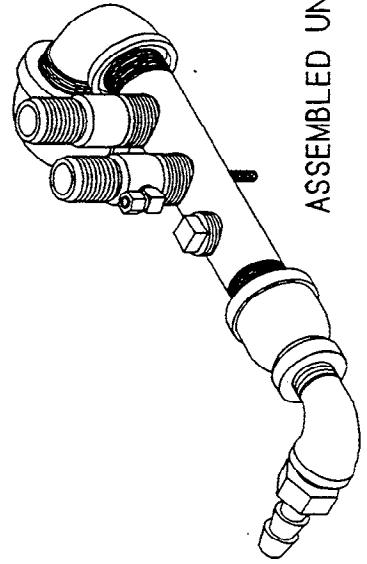
TOLERANCES (UNT. UNLESS NOTED)		CLEVELAND RANGE INC. 1333 E. 17TH ST., CLEVELAND, OHIO 44110-2171	
DECIMAL	± N/A	SCALE	3/8"=1"
ANGULAR	± N/A	DRAWN BY	DUTCHMAN
OK		APPROVED BY	
		TITLE	PIPING ASSY, BLOWDOWN, 36PCEM, 36PCEM, 36CEM16, 400CEM, 400CEM
		DATE	09-11-91
		DRAWING NO.	C-1005121
		REV.	B

THIS DESIGN DESCRIBES A PROPRIETARY ITEM AND IS THE PROPERTY OF CLEVELAND RANGE. IT IS TO BE USED WITHOUT THE APPROVAL OF CLEVELAND RANGE.

LET.	REVISIONS	DATE	BY
-	PRODUCTION RELEASE E.O. 12-1994	08-23-91	P.D.
A	P/A 14317 & 20205 OMITTED AND P/A 06240 WAS QTY. OF 2 PER E.O. 12-2448	08-22-98	P.D.



12	A/R	00934	SEALANT, RECTORSEAL
11	1	14481	FITTING, BARB 1" H X 1" MPT S/S
10	1	595191	FITTING, HOSE, DRAIN MANIFOLD W/ 1/8" HOLE
9	1	08192	FITTING, COMP. 1/4" T X 1/8" MPT 90°
8	1	18608	PLUG, SO. HEAD, 3/4" PIPE, BLACK
7	1	08240	FITTING, HOSE BARB 3/4" H X 3/4" MPT
6	1	05259	ELBOW, STREET 3/4" X 90°, BLACK
5	1	03616	COUPLING, RED. 1-1/2" X 3/4", BLACK
4	1	13917	STUD, WELD 1/4"-20 X 7/8", S/S
3	1	13252	MANIFOLD, DRAIN 1-1/2" NPT, BLACK
2	1	05292	ELBOW, STREET 1-1/2" NPT X 90°, BLACK
1	1	03238	ELBOW, 1-1/2" NPT X 90°, BLACK
ITEM	QTY.	PART NO.	DESCRIPTION
TOLERANCES (EXCEPT AS NOTED)			
DECIMAL	± 1/4	APPROVED BY	
ANGULAR	± 1/4	DRAWN BY P. J. D.	
CK		DATE	REV.
		08-13-91	A

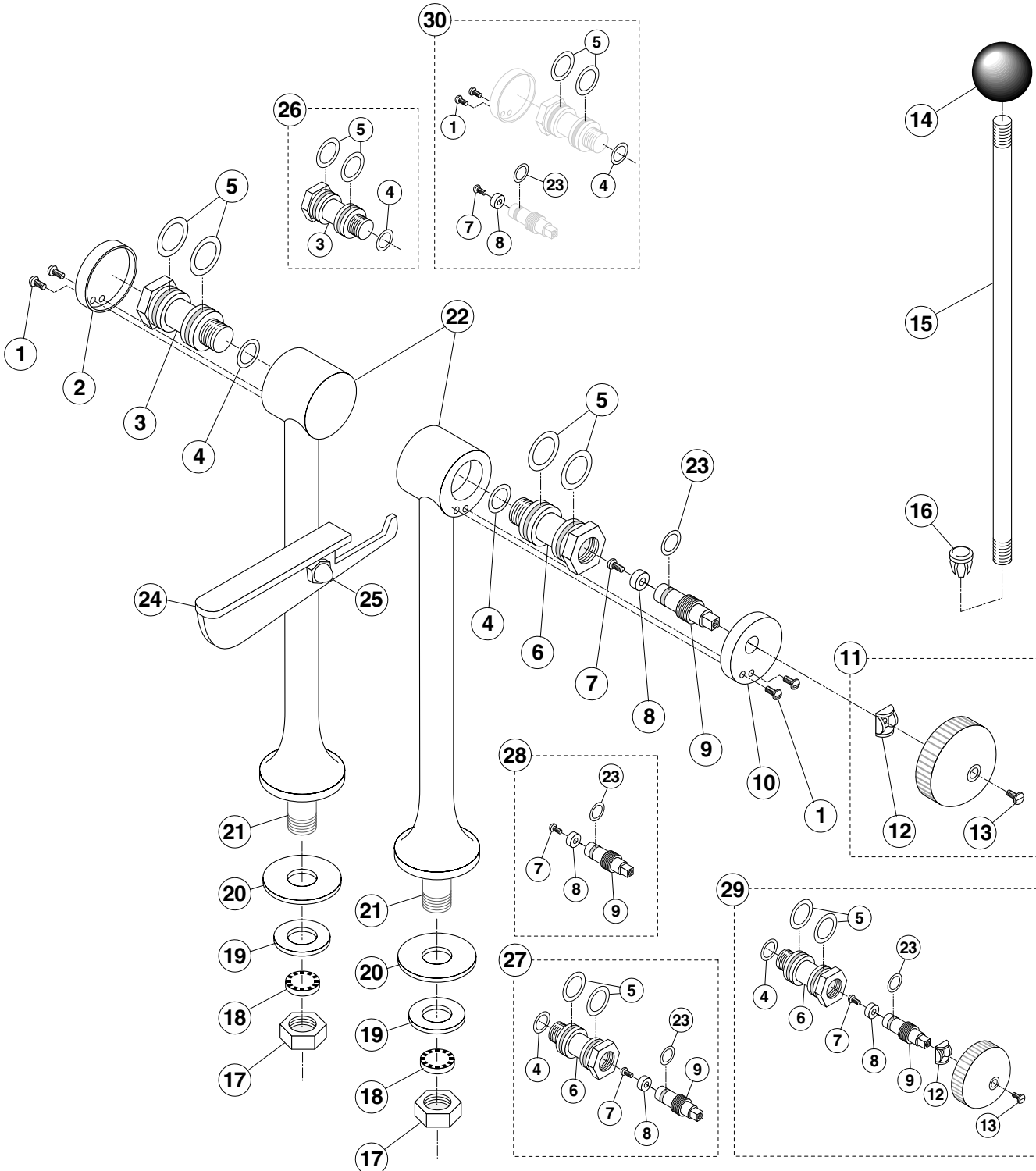


ASSEMBLED UNIT

THIS DESIGN DESCRIBES A PROPRIETARY ITEM
AND IS THE PROPERTY OF CLEVELAND RANGE.
THIS DESIGN IS NOT TO BE COPIED OR USED
WITHOUT THE APPROVAL OF CLEVELAND RANGE.

SERVICE PARTS

STEAM CONTROL ASSEMBLY



STEAM CONTROL ASSEMBLY

ITEM NO.	PART NO.	DESCRIPTION	QTY.
1.	FA11056	Binding Head Screw, 6-32 x 1/2" Ig.	4
2.	KE50458	End Cap, condensate return	1
3.	KE50455-1	Trunnion, condensate return	1
4.	FA05002-35	"O" Ring	2
5.	FA05002-37	"O" Ring	4
6.	KE50460-1	Trunnion, steam inlet	1
7.	FA11089	Binding Head Screw, 8-32 x 1/4" Ig.	1
8.	KE51713	Washer, steam valve	1
9.	KE50459	Operating Stem	1
10.	KE50457	End Cap, steam inlet	1
11.	SE00028	Steam Control Knob Assembly (c/w Item No. 12, 13 & Knob)	1
12.	KE51888	Retaining Washer	1
13.	FA11092	Binding Head Screw, 8-32 x 1/2" Ig.	1
14.	KE50151-E	Knob, threaded (after 07/94)	1
	KE50151	Knob, non threaded (prior to 06/94)	1
15.	KE50886-1	Handle, KDT-1-T	1
	KE50886-2	Handle, KDT-3-T	1
	KE50886-3	Handle, KDT-6-T & KDT-12-T	1
	KE50886-4	Handle, KDT-20-T	1
16.	KE50475	Plug Button	1
17.	KE52697	Lock Nut, 1/2" NPS	2
18.	FA32500	Lockwasher	2
19.	FA30502	Washer, satin coat	2
20.	KE50467	Washer, Foot	2
21.	KE50465	Service Pipe, KDT-1-T & KDT-3-T	2
	KE50462	Service Pipe, KDT-6-T.	2
	KE50463	Service Pipe, KDT-12-T	2
	KE50464	Service Pipe, KDT-20-T	2
22.	KE00203	Leg Assembly	2
23.	FA05002-12	"O" Ring	1
24.	KE01115	Marine Lock Latch, KDT-12-T & KDT20-T only	1
25.	KE52632	Crown Nut, KDT-12-T & KDT20-T only	1
26.	SE00096	Steam Outlet Assembly	1
27.	SE00011	Trunnion Assembly, steam inlet	1
28.	SE00029	Operating Stem Assembly, steam inlet	1
29.	SE00030	Steam Inlet Control Assembly	1
30.	SE00112	"O" Ring Replacement Kit	1

Requires Knob -
Item No.
KE50151-E